
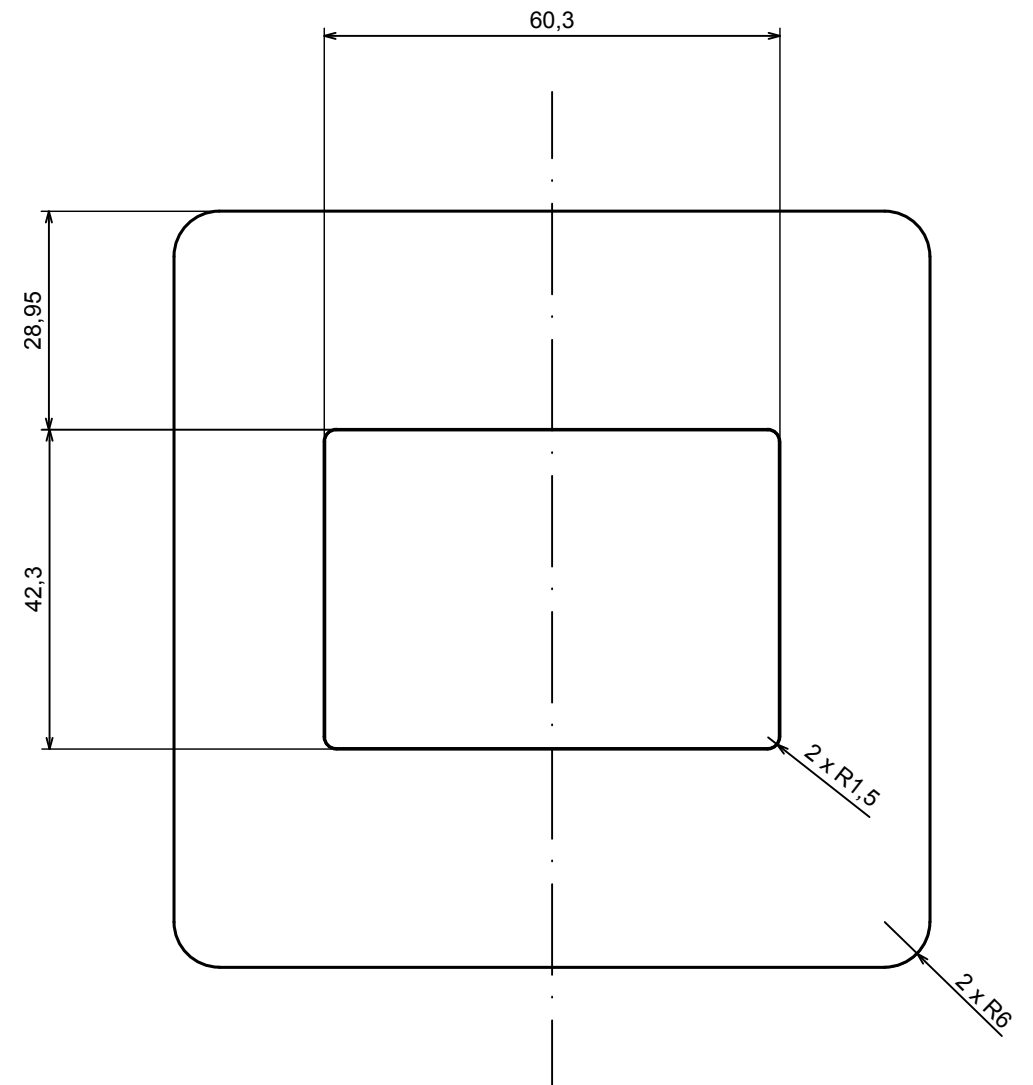
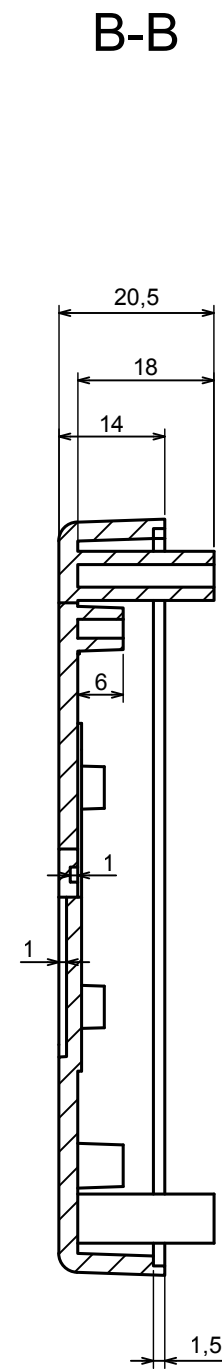
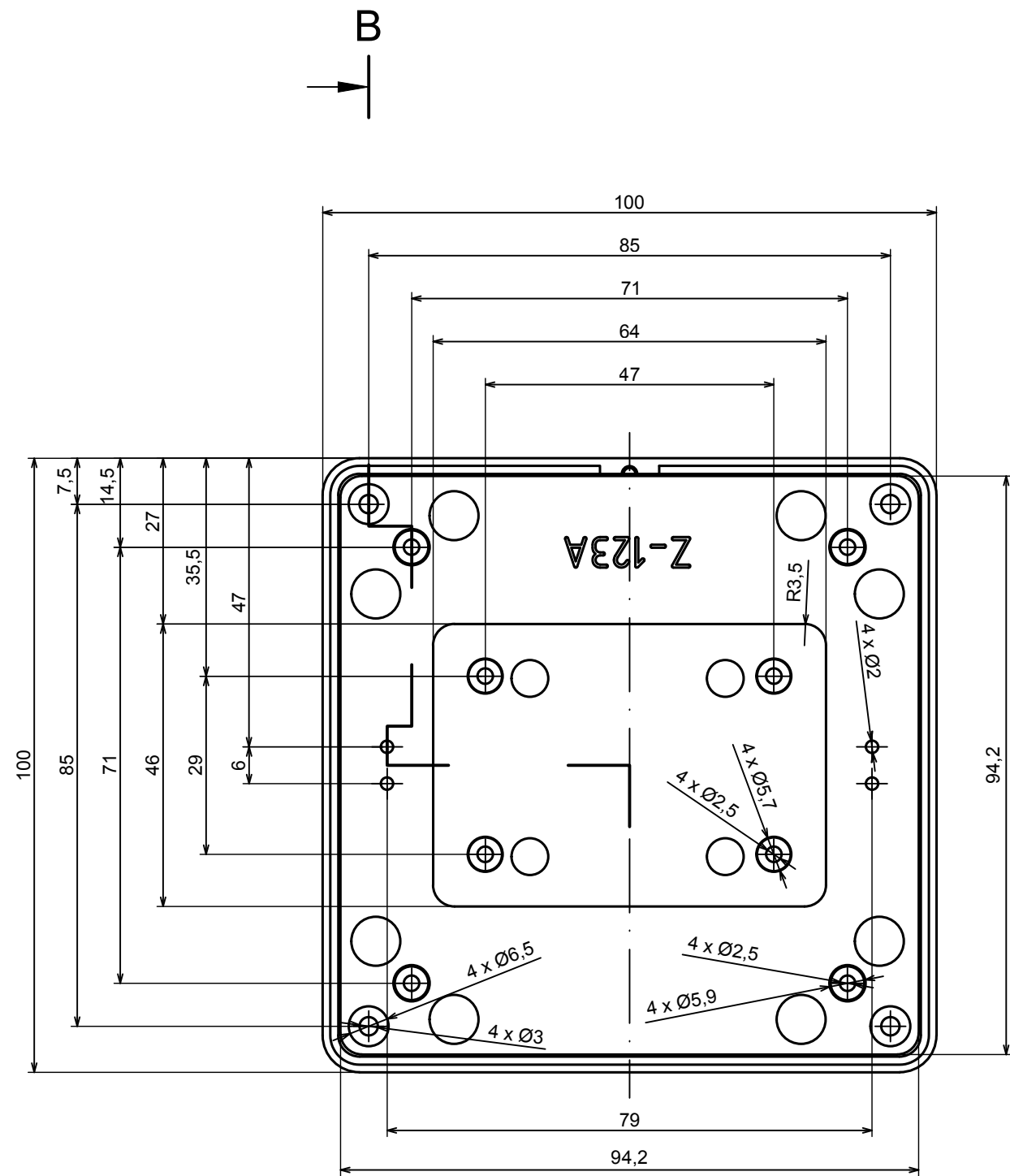

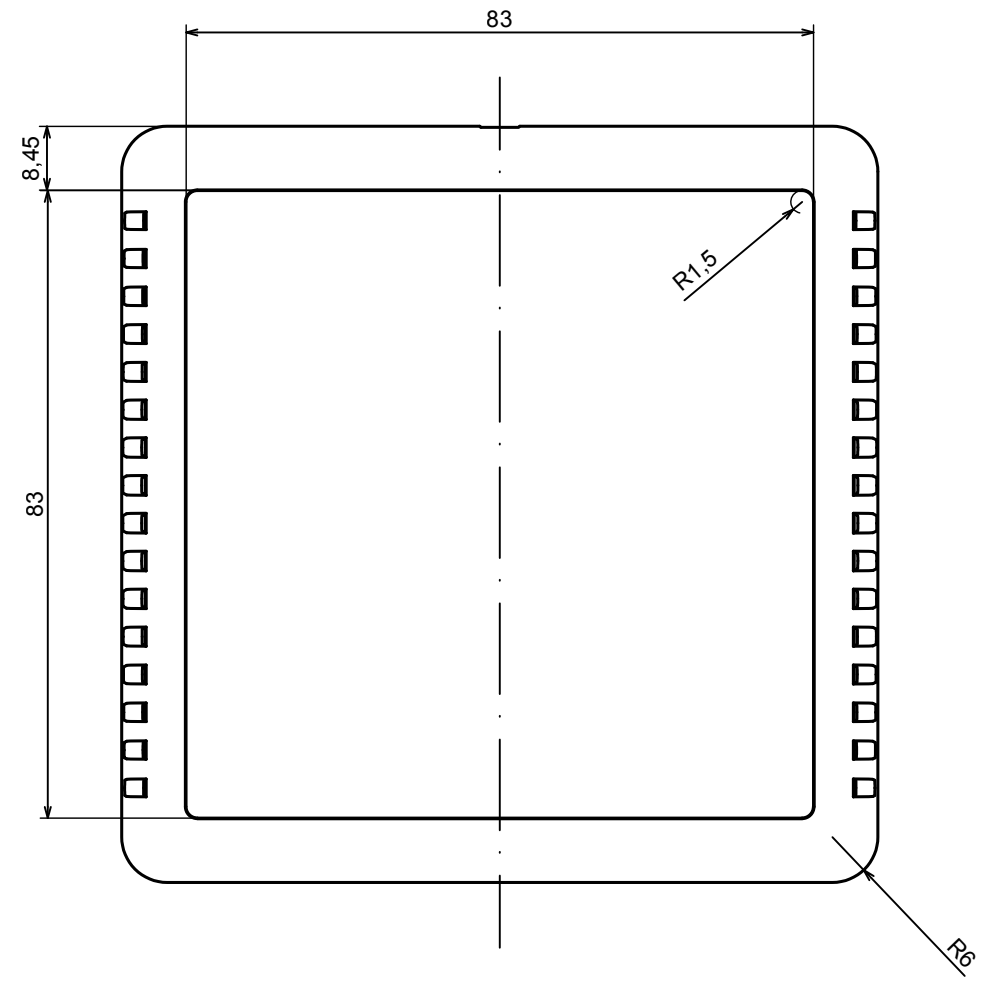
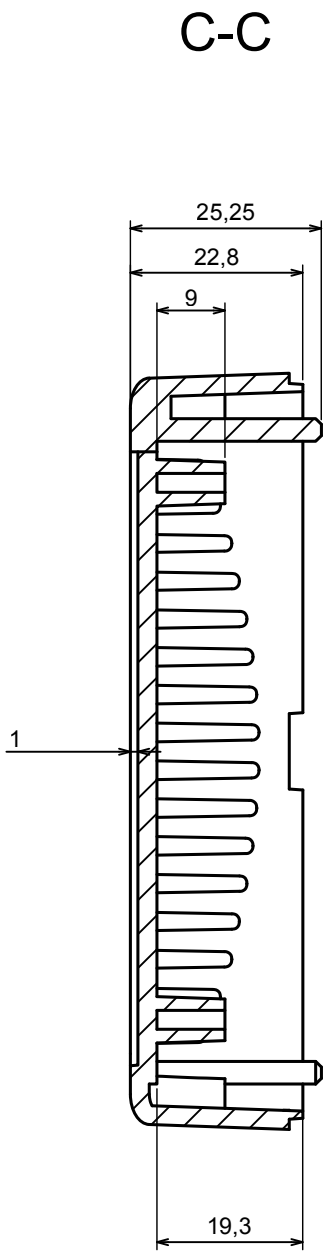
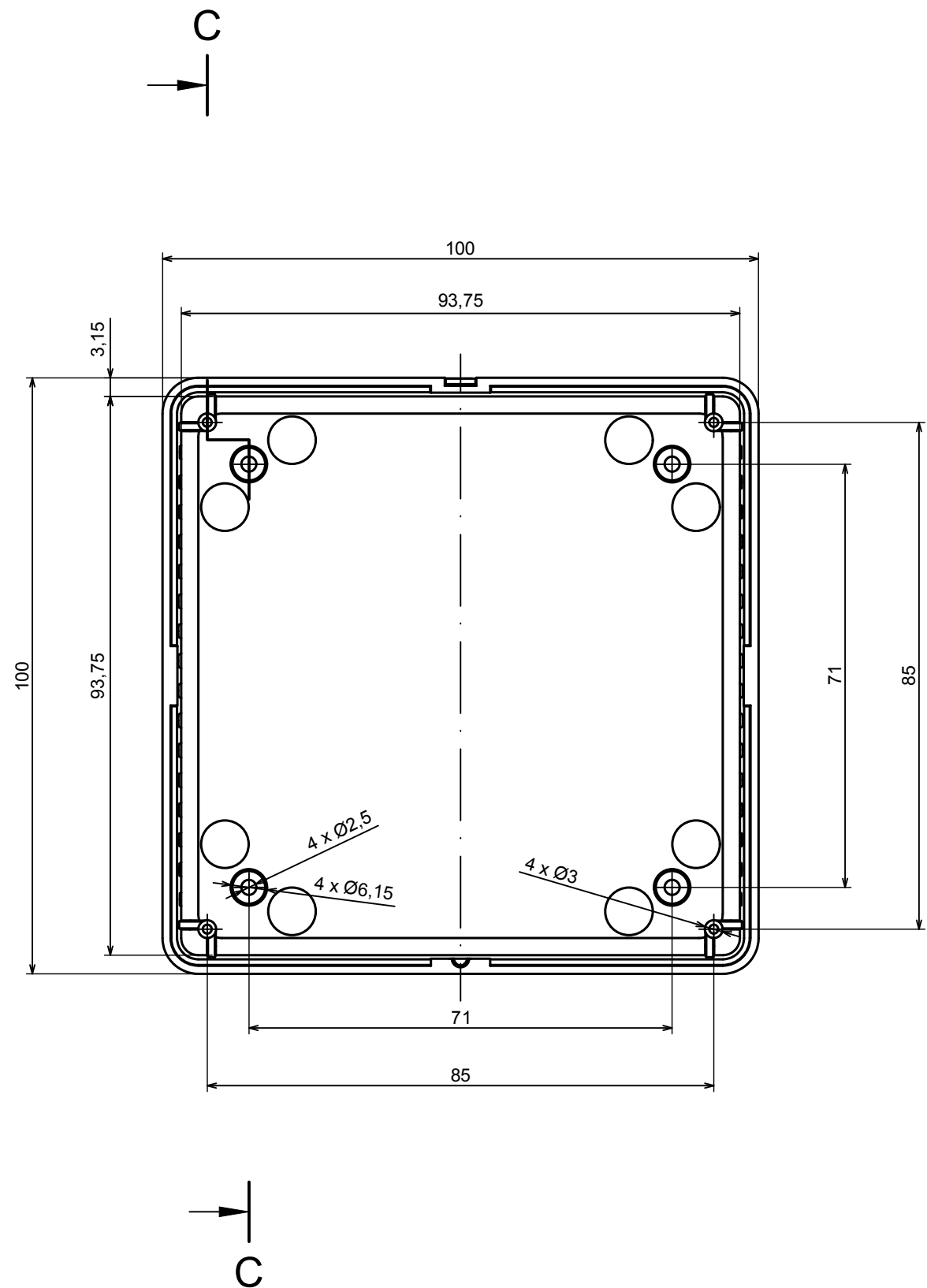



All rights reserved. Copyright Kradex 2019		
Product model	Enclosure Z123A - Assembly	
Format: A3	Material: ABS	
Scale 1:1	Tolerance: +/- 0,5	



B

All rights reserved. Copyright Kradox 2019		
Product model	Enclosure Z123A - Base	
Format: A3	Material: ABS	
Scale 1:1	Tolerance: +/- 0,5	



All rights reserved. Copyright Kradox 2019		
Product model	Enclosure Z123A - Cover	
Format: A3	Material: ABS	
Scale 1:1	Tolerance: +/- 0,5	