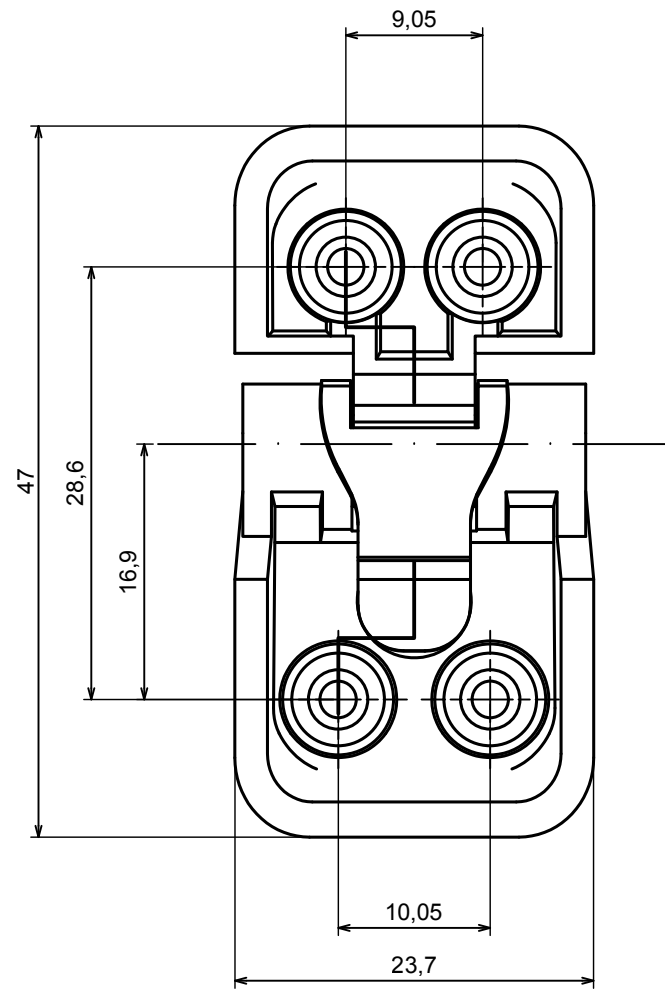
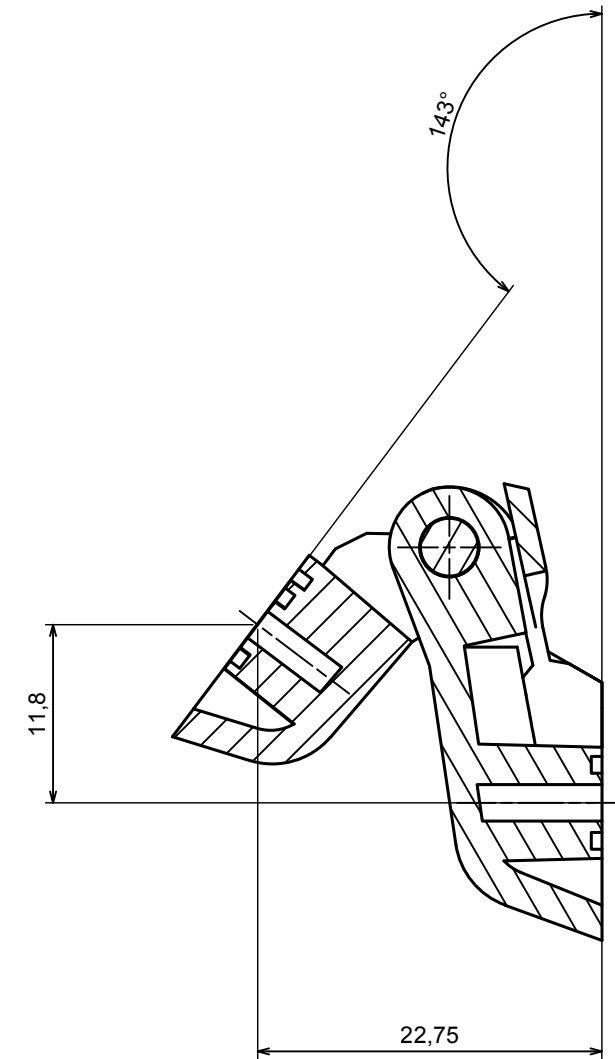
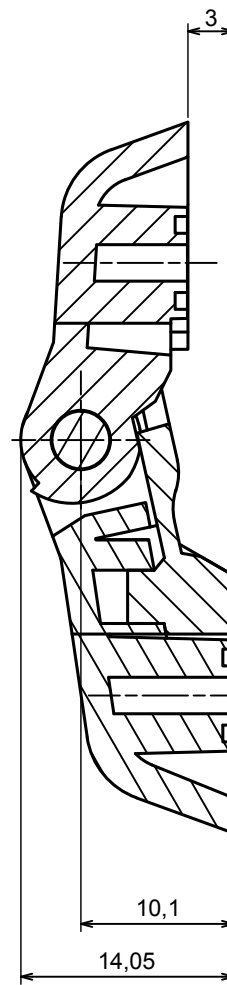


A |



A-A



A |

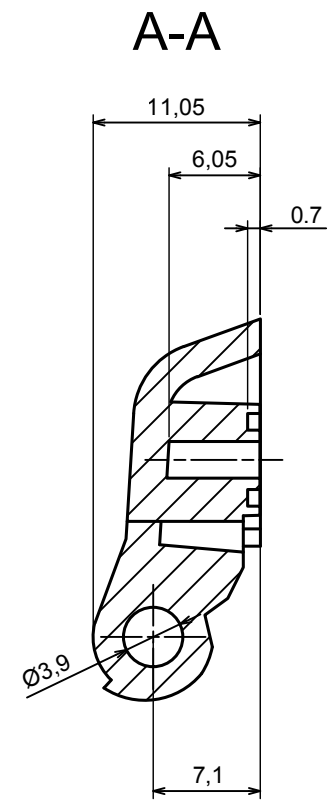
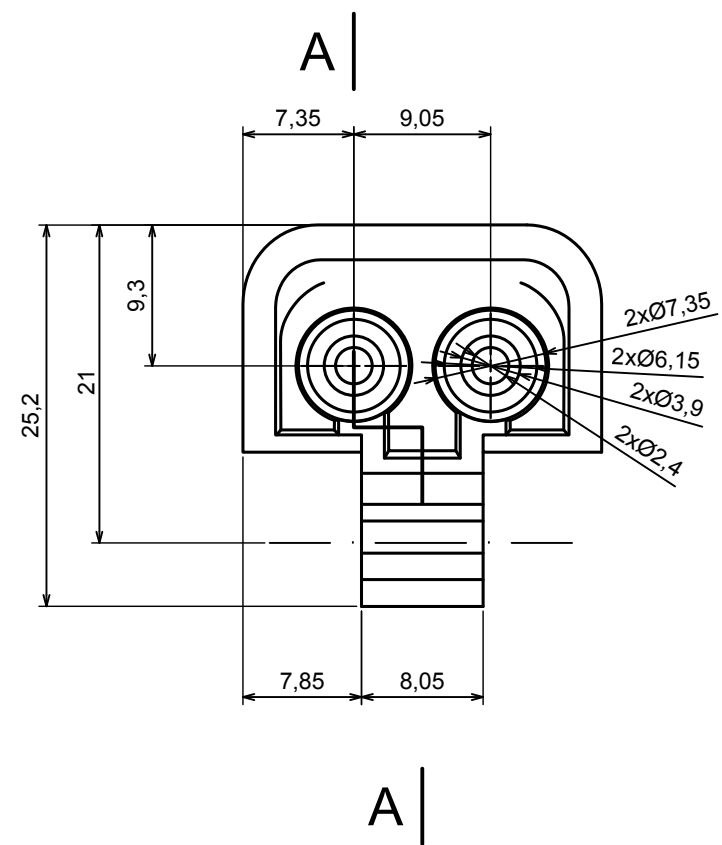
All rights reserved, Copyright Kradox 2019


Product model ZHINGE10 - Assembly

Format: A3 Material: PC, ABS

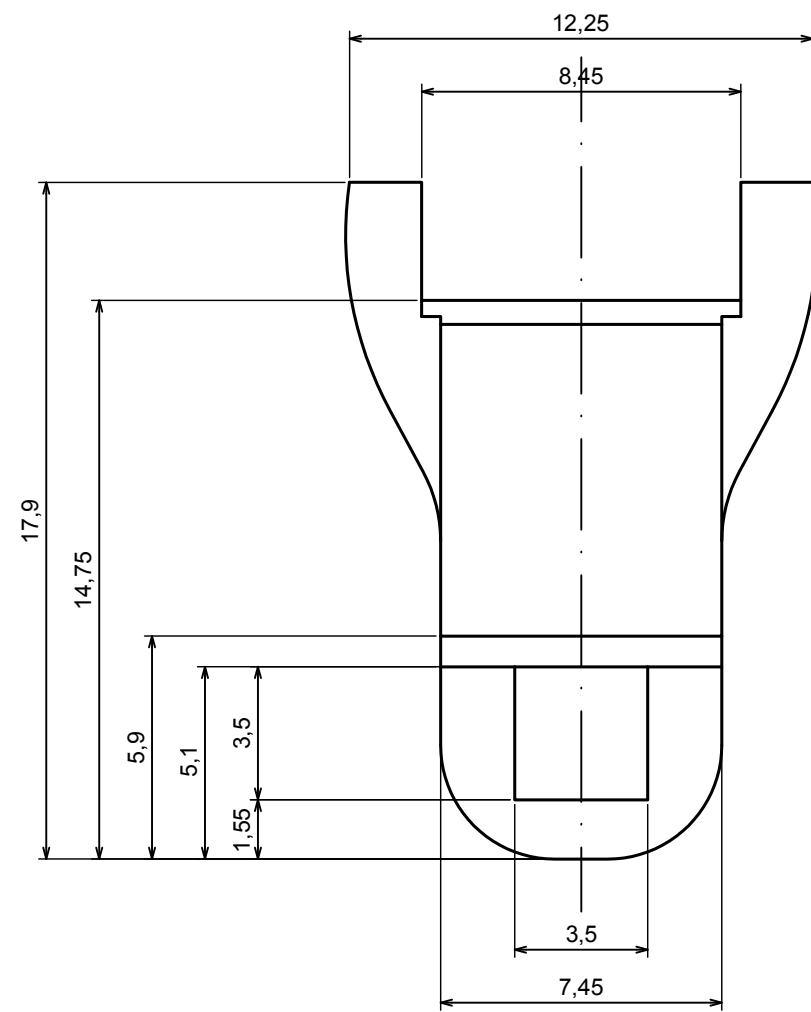
Scale 2:1 Tolerance: +/- 0.5





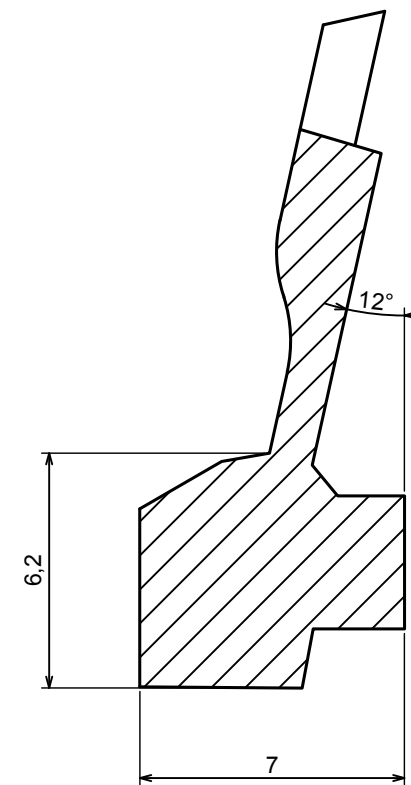
All rights reserved, Copyright Kradox 2019		
Product model	ZHINGE10 - Hinge B	
Format: A3	Material: PS, ABS	
Scale 2:1	Tolerance: +/- 0.5	

A |



A |

A-A



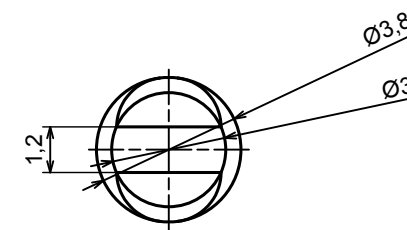
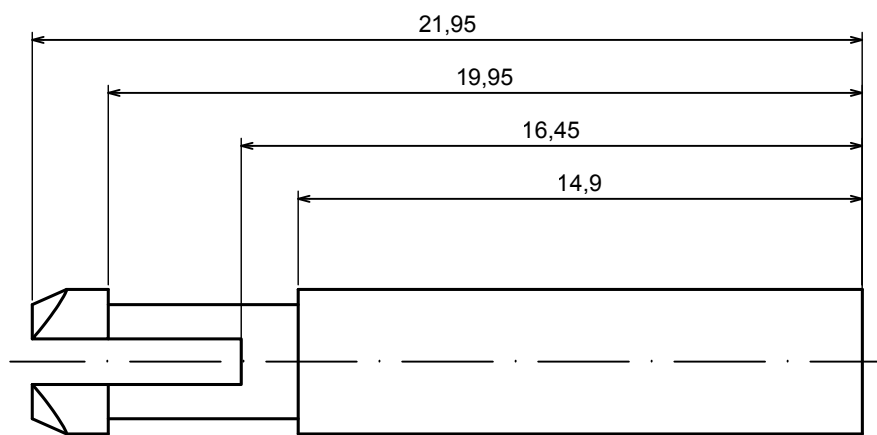
All rights reserved, Copyright Kradox 2019


Product model ZHINGE10 - Lock

Format: A3 Material: PC, ABS

Scale 5:1 Tolerance: +/- 0.5





All rights reserved, Copyright Kradox 2019		
Product model	ZHINGE10 - Bolt	
Format: A3	Material: PC, ABS	
Scale 5:1	Tolerance: +/- 0.5	