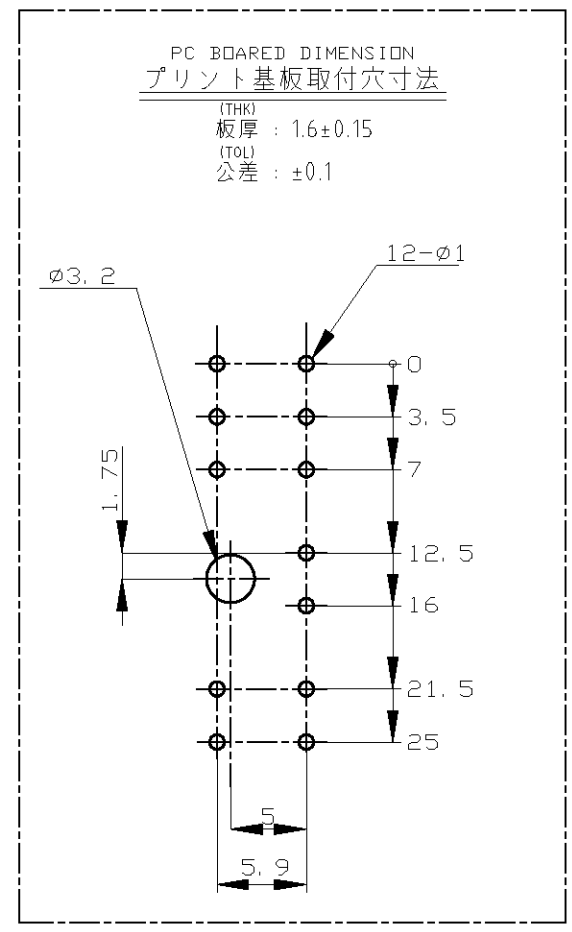
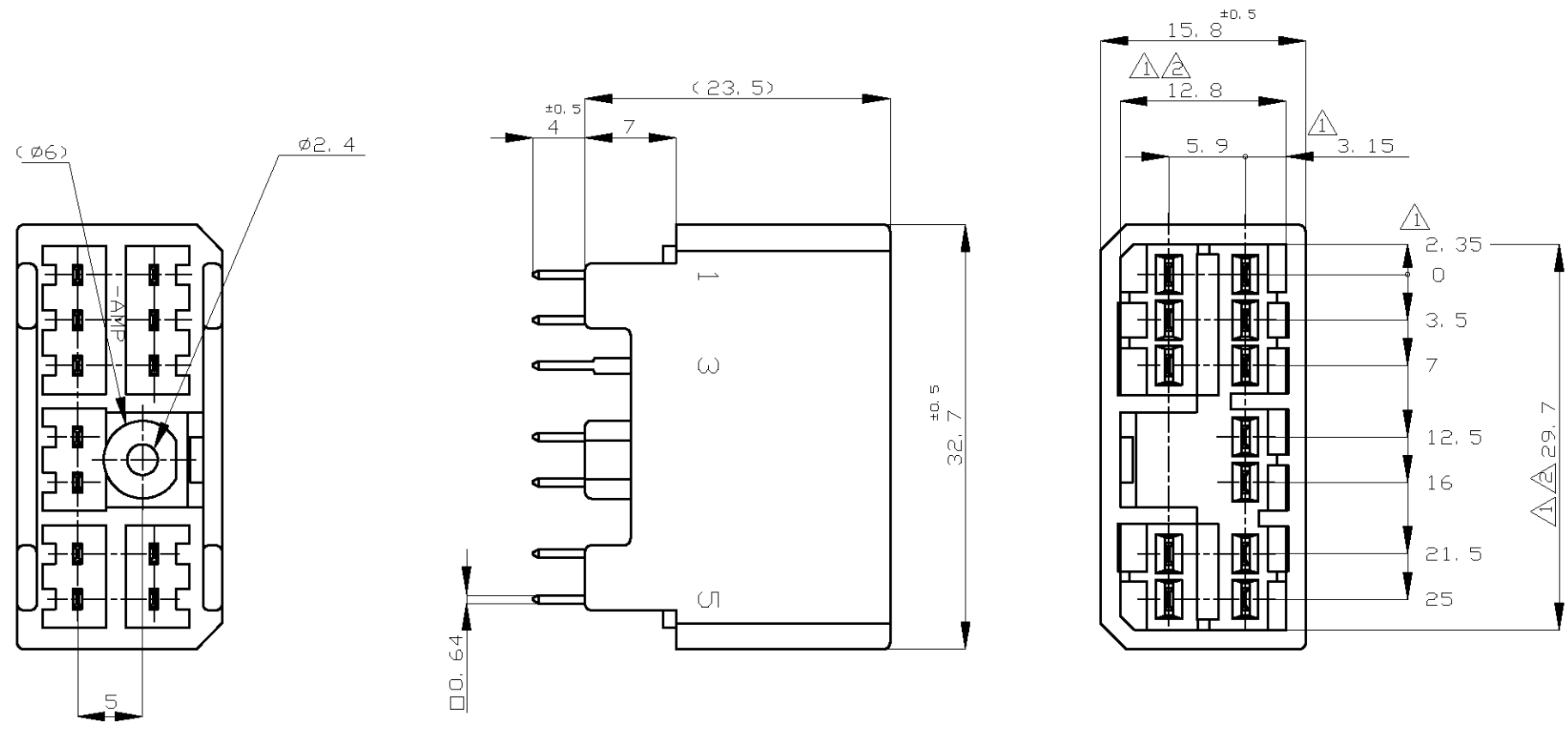


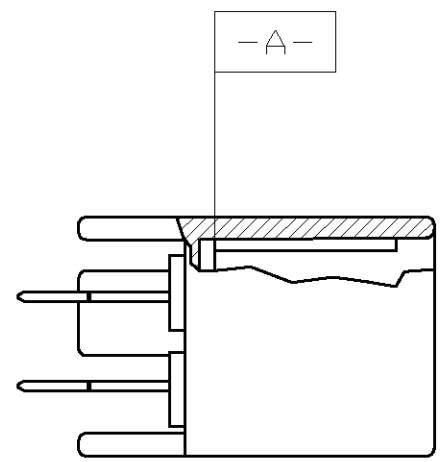
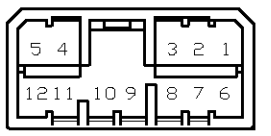
THIS DRAWING IS UNPUBLISHED. RELEASED FOR PUBLICATION
 © COPYRIGHT - By Tyco Electronics Japan G.K. ALL RIGHTS RESERVED.

LOC	DIST	REVISIONS					
J	-	P	LTR	DESCRIPTION	DATE	DWN	APVD
			H3	OBSOLETE 3--1	ECR-07-015040	13APR11	TS KB



NOTES :

- ▲ TO BE MEASURED BETWEEN [A] AND 2
- ▲ TO BE MATED WITH PLUG HSG SMOOTHLY
- 3 TO BE USE M3 TAPPING SCREW JIS B1115 OR 1122 (TYPE2 OR 4) BEFORE SOLDER (TIGHTENING TORQUE; 0.8N-m MAX)
- 4 APPLIED PLUG HSG P/N ; 173851
- ▲ CIRCUIT NUMBER



OBSOLETE	SELECTIVE-TIN	PRE-TIN	-	WHITE	3-174957-1
	TIN-LEAD	SELECTIVE GOLD	1~12	WHITE	2-174957-1
	PRE-TIN		-	WHITE	1-174957-1
	SELECTIVE-TIN (MATTE)	SELECTIVE-TIN (BRIGHT)	-	BLACK	174957-3
OBSOLETE	SELECTIVE-TIN	PRE-TIN	-	BLACK	174957-2
	SOLDERING SIDE 半田付け部	CONTACT SIDE 接触部側	GOLD PLATED CIRCUIT NO	COLOR 色	PART NUMBER 製品型番
	CONTACT FINISH コンタクト仕上		▲ 金めっき回路番号		

- 注 :
- ▲ [A] 面から2mmの範囲で測定
 - ▲ 相手ハウジングと所定の機能を満たして嵌合できること
 - 3. プリント基板への取付けは JIS-B1115 又は 1122, M3X6ナベ (2種又は4種) のタッピンネジで締付けた後ハンダ付けする (締付トルク; 0.8N-m以下)
 - 4. 嵌合相手ハウジング型番; 173851
 - ▲ 回路番号; 上図参照のこと

THIS DRAWING IS A CONTROLLED DOCUMENT.

DIMENSIONS: 単位: 耗 mm	TOLERANCES UNLESS OTHERWISE SPECIFIED: 一般公差	DWN M.KADOSAKI 120CT05	STE TE Connectivity
	0 PLC ±- 1 PLC ±- 2 PLC ±- 3 PLC ±- 4 PLC ±- ANGLES ±-	CHK T.SHINOHARA 120CT05	
		APVD K.BETSUI 120CT05	
		NAME 名称	
MATERIAL 材料	FINISH 仕上	PRODUCT SPEC 製品規格	.070 SRS MLC
HOUSING : PBT	SEE TABLE	APPLICATION SPEC 取付適用規格	12Pos. CAP HSG (W-B(V-TYPE))
CONTACT : BRASS		WEIGHT	SIZE A3
GENERAL TOLERANCE		CUSTOMER DRAWING	CAGE CODE 00779
0<* < 10 : ±0.2			DRAWING NO 174957
10<* < 30 : ±0.25			RESTRICTED TO -
30<* < 100 : ±0.3			SCALE 2:1
ANGLES : ±3°			SHEET 1 OF 1
			REV H3