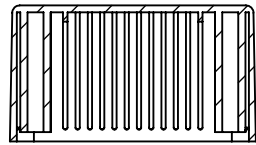


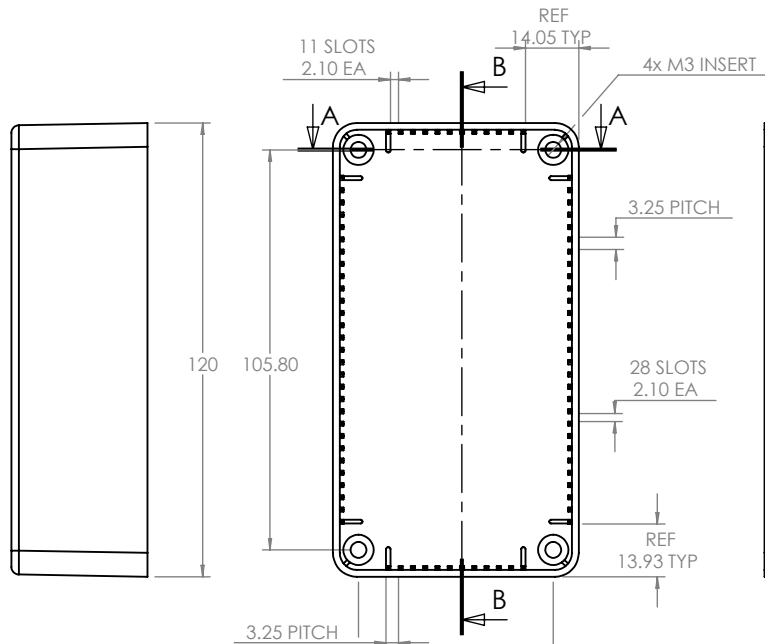
OVERALL ASSEMBLY DIMENSIONS:

EXTERNAL - 120 (139) x 65 x 40

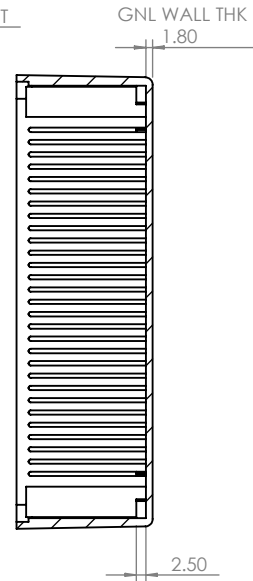
INTERNAL - 116.4 x 61.4 x 36.2



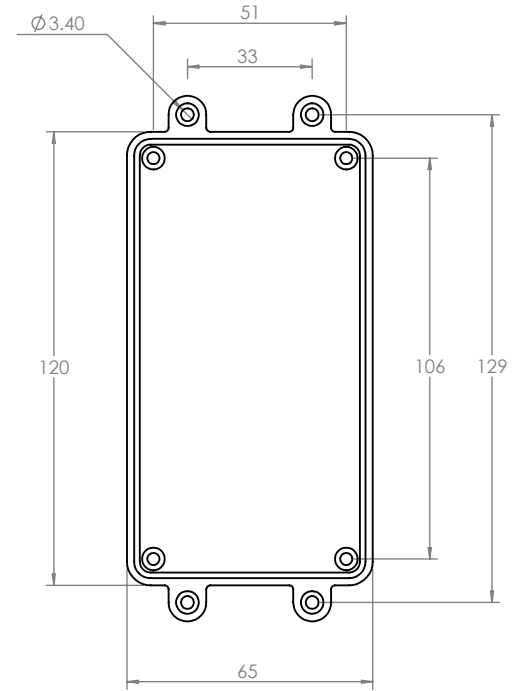
SECTION A-A



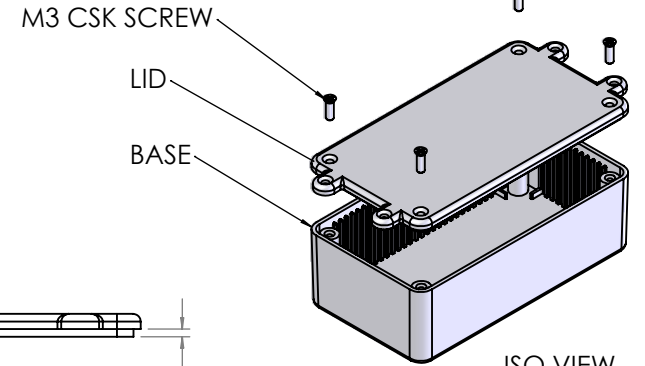
BASE



SECTION B-B



LID



ISO VIEW
1:3

 JAMES CARTER RD, MILDENHALL, SUFFOLK. IP28 7DE TEL: 01638 716101 FAX: 01638 716554 EMAIL: Sales@CamdenBoss.com WEB: www.CamdenBoss.com				UNLESS OTHERWISE SPECIFIED: DIMENSIONS ARE IN MILLIMETERS		DO NOT SCALE DRAWING		REVISION. 0		
				FINISH. SMOOTH		TITLE: ASSEMBLY DRG FOR 2004/14-LUG				
DRAWN S.HARDINGE		SIGNED SJH		DATE 06/10/05		MATERIAL. ABS		DWG NO. 2004,14-LUG		A4
CHKD -		-		-		PROJECTION. 		SCALE: 1 : 2		SHEET 1 OF 1