

Introduction

Scissor Action Hand Tool CAT-RF-FER-01 was designed to crimp all Samtec series with RF hex crimps.

This tool should only be used for Samtec RF assemblies. The tool is not adjustable. Variation in production batches of tools, connectors, wire stranding and insulation types may affect crimp parameters.

Crimping Procedure

1. Place the non-crimped ferrule in the proper position on the RF assembly.
2. Squeeze the handles until the tool ratchet releases, allowing the handles to fully open (Figure 1).
3. Place RF assembly, with ferrule still in proper position, into the tool jaws (Figure 2). Be sure to correctly align the ferrule within the desired crimp profile.
4. Partially close the handles until the tool has a good hold on the ferrule of the RF assembly.
5. Using both hands, close the handles together until the ratchet mechanism has completed the cycle and the handles release to the fully opened position.
6. Remove the crimped assembly from the tool.

CAUTION: Should an assembly become stuck or jammed in a partially closed position, DO NOT use force to open or close the handles. The tool will easily open by pushing the ratchet release lever up (Figure 3).

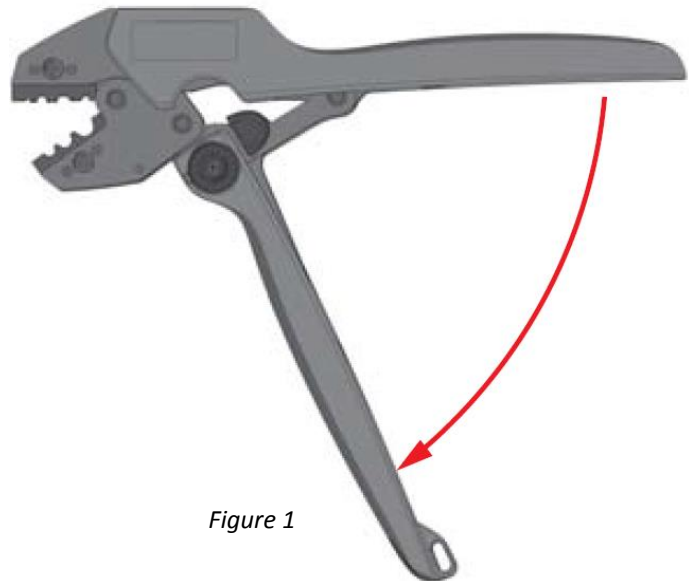


Figure 1

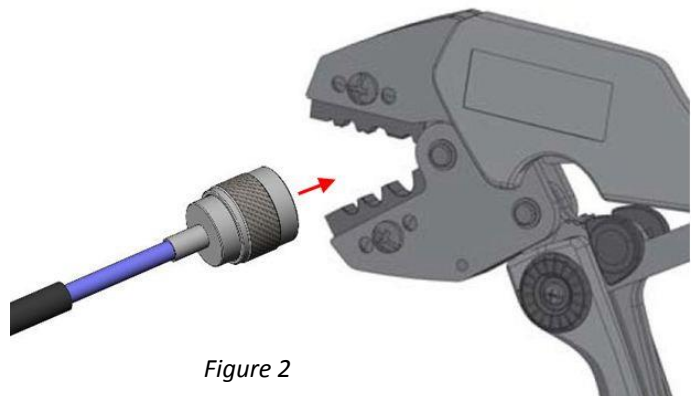


Figure 2

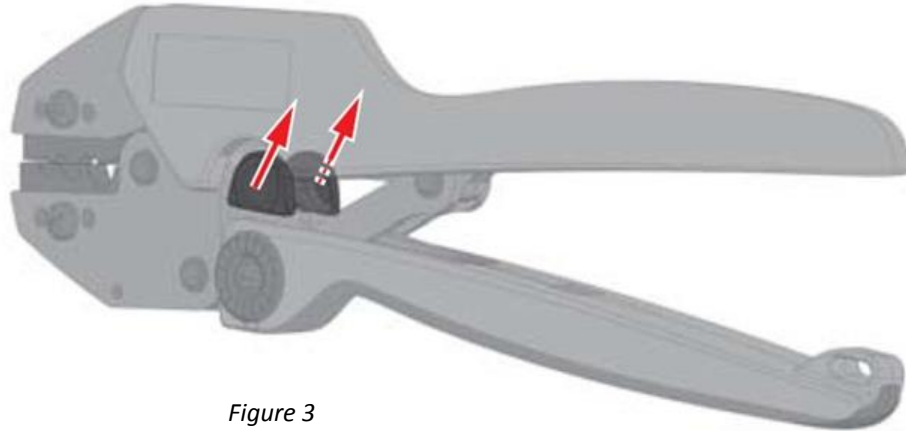


Figure 3

Die Set Installation

1. Remove die screws from frame using T20 Torx wrench (See Figure 4).
2. Insert die sets into frame, and install die screws but do not tighten.
3. Close handles and make sure dies are properly aligned, and then fully tighten die screws.

Inspection

It is recommended that a maintenance and inspection program be performed periodically to ensure dependable and uniform terminations. Frequency of inspection depends on:

- The care, amount of use, and handling of the hand tool,
- The presence of abnormal amounts of dust and dirt,
- Your own established standards.

The hand tool is inspected before being shipped; however, it is recommended that the tool be inspected immediately upon its arrival at your facility to ensure that the tool has not been damaged during shipment.

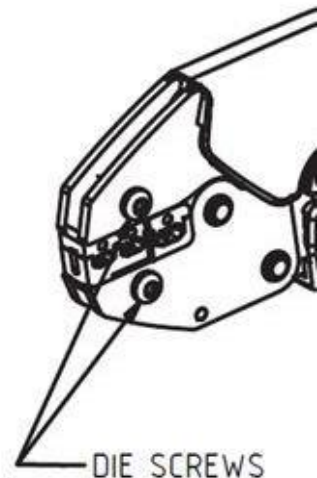


Figure 4

Tool Maintenance

It is recommended that each operator of the tool be made aware of, and be responsible for, following these maintenance steps:

- The tool was engineered for durability. However, for maximum service life and trouble free crimping, establish a good process of scheduled maintenance and lubrication.
- Remove dust, moisture and other contaminants with a clean brush or soft, lint-free cloth ONLY.
- Make certain all pins, pivot points and bearing surfaces are protected with a thin coat of high quality machine oil. Do NOT oil excessively (Figure 5).
- Wipe excess oil from the hand tool, particularly from the crimping area.
- It is recommended to use light oil on all pivot points every 1000 crimps, or every 3 months.
- When tool is not in use, keep the handles closed to prevent objects from becoming lodged in the crimping area.
- Store the tool in a clean dry place.

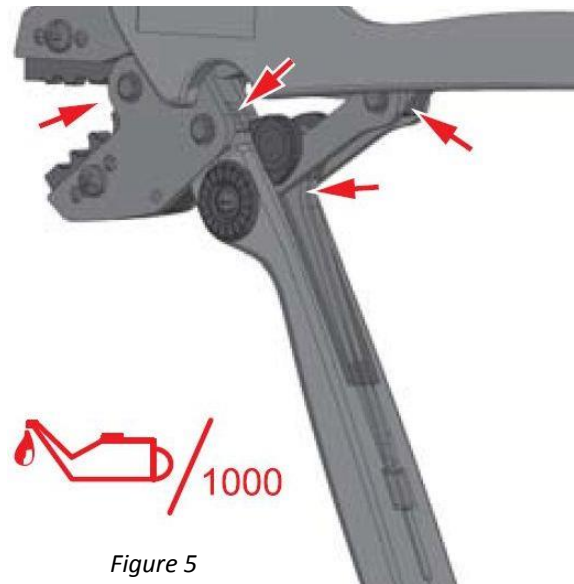
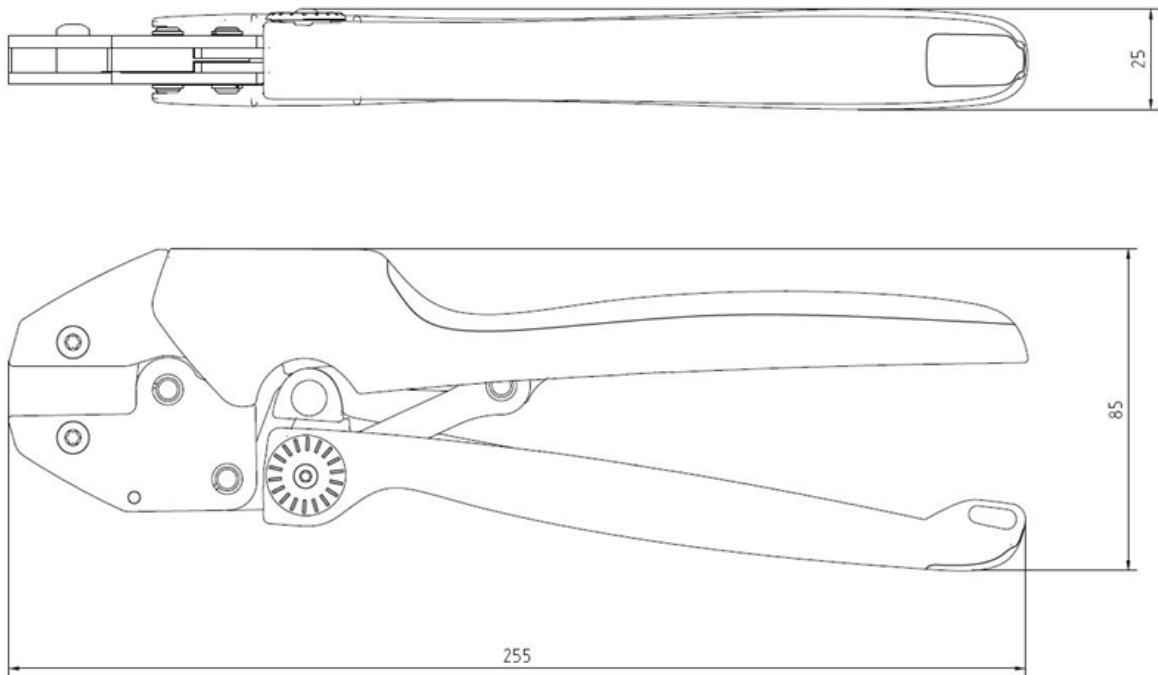


Figure 5

Tool Dimensions (Figure 6)



WEIGHT:

Frame (No Die-Set): 0.51 kg [1.1 lbs.]

Die-Set (Top & Bottom): 0.05 kg [0.1 lbs.]

Figure 6

Mouser Electronics

Authorized Distributor

Click to View Pricing, Inventory, Delivery & Lifecycle Information:

[Samtec:](#)

[CAT-RF-FER-01](#)