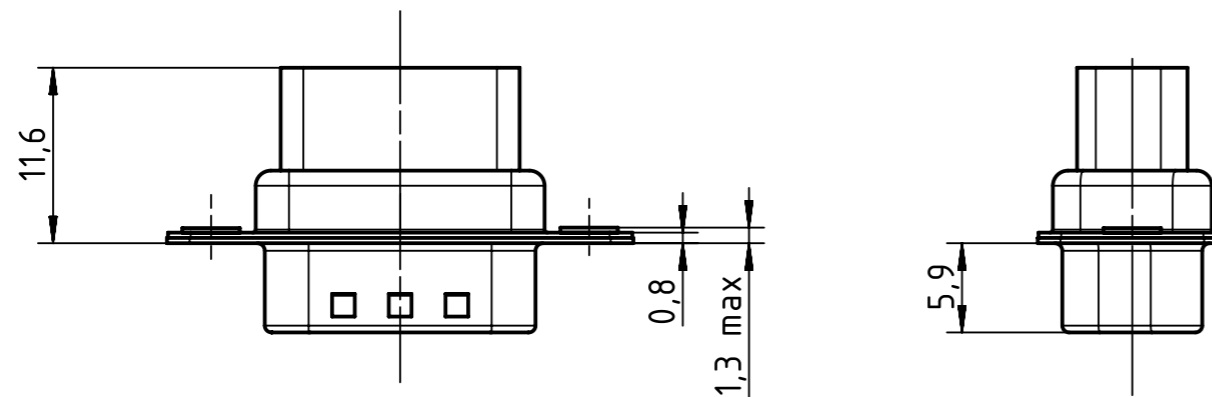
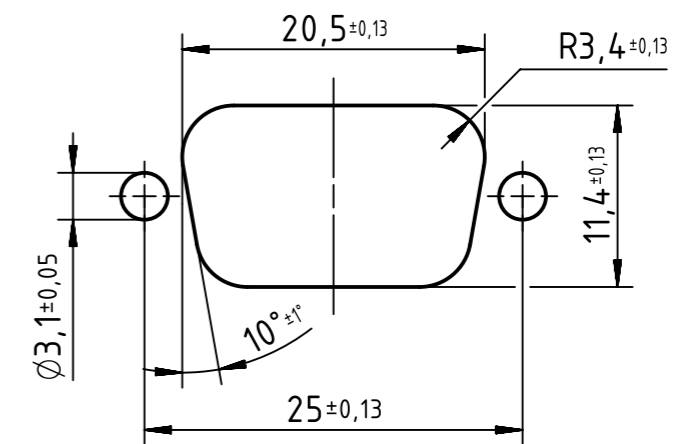
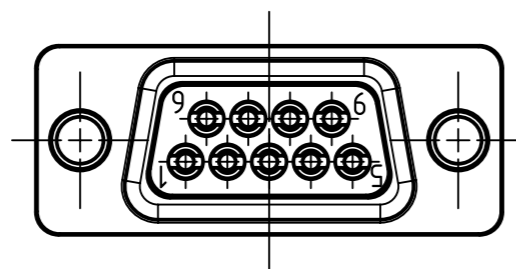
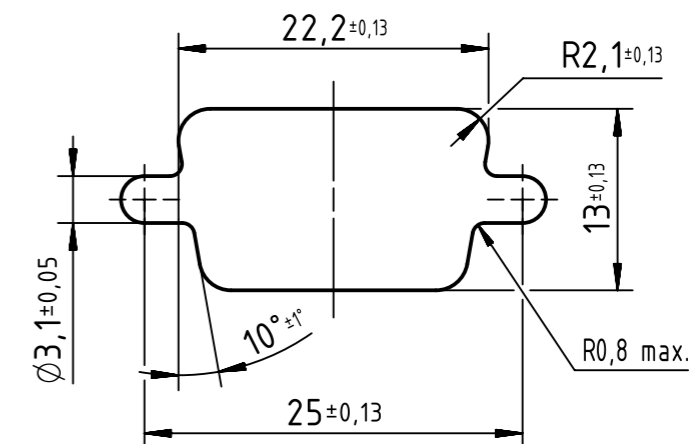


Rear mounting panel cut out



Front mounting panel cut out



0967 009 5601 280	100pcs into one polybag
0967 009 5601	Standard packing in tray
Part number	Packing information

	All rights reserved Department EC PD - CN	All Dimensions in mm Original Size DIN A3		Scale 2:1	Free size tol.	Ref. Sub.
		Created by ZHUANGJ	Inspected by LUOK	Standardisation KOHLER	Date 2017-08-04	State Final Release
HARTING Electronics GmbH D-32339 Espelkamp		Title D-Sub crimp 09-pole male assembly				Doc-Key / ECM-Nr. 100235516/UGD/001/C 500000123273
		Type TB	Number 09670095601		Rev. C	Page 1/1

Mouser Electronics

Authorized Distributor

Click to View Pricing, Inventory, Delivery & Lifecycle Information:

[HARTING:](#)

[09670095601](#)