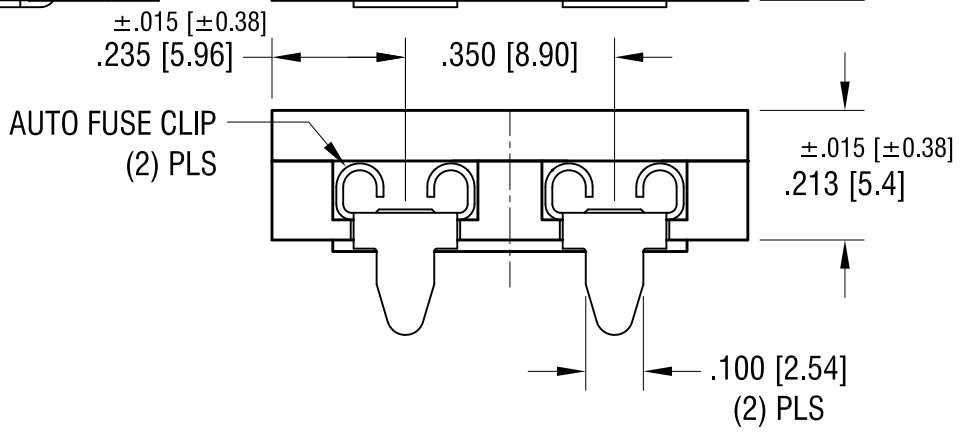
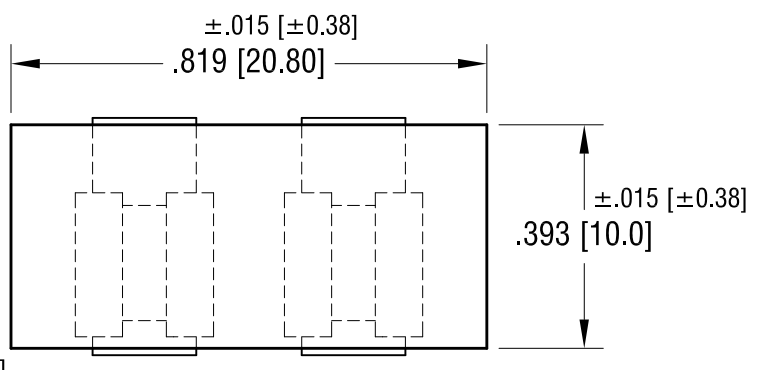
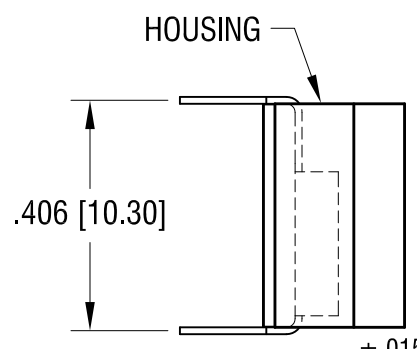
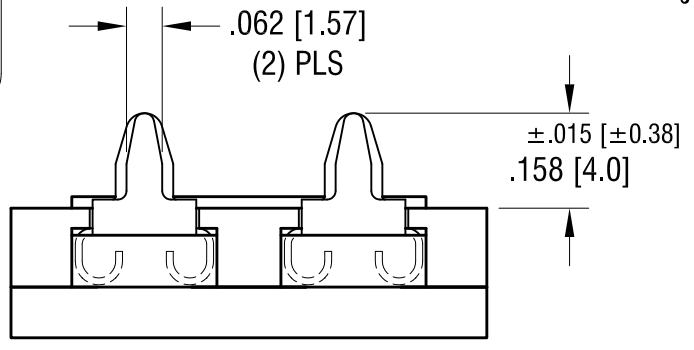
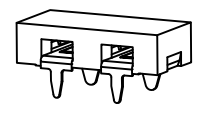
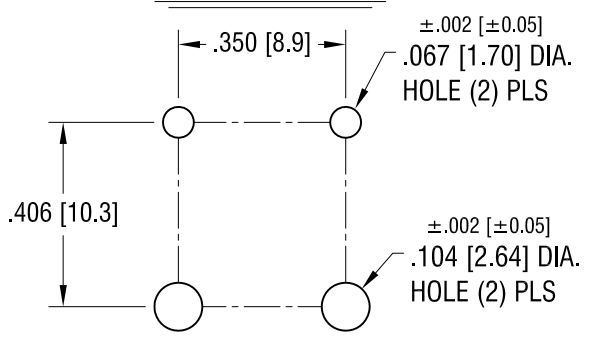


THIS DOCUMENT IS THE PROPERTY OF KEYSTONE ELECTRONICS CORP. AND SHALL NOT BE REPRODUCED, DISTRIBUTED OR USED AS A BASIS FOR MANUFACTURE WITHOUT PRIOR WRITTEN PERMISSION FROM KEYSTONE ELECTRONICS CORP.

**MOUNTING DETAIL**



NOTE:  
 CLIP: MAT'L: .012 [0.30] TH'K BRASS, TIN PLATE  
 HOUSING: MAT'L: NYLON 6/6, UL 94V-0

<b>KEYSTONE ELECTRONICS CORP.</b>			
www.keyelco.com • NEW HYDE PARK, NY 11040 • Tel (516) 328-7500			
PART NAME HOR.STANDARD AUTO-BLADE FUSE HOLDER			
MATERIAL AS NOTED			
FINISH AS NOTED		DRN BY BOONE	DATE 12.28.06
		APP'D LN	SCALE 3X
TOLERANCES INCH [MM]	DECIMAL ± .005 [± 0.13]	CODE C	DWG NO. 3550-2
ANGULAR ± 1° UNLESS OTHERWISE SPECIFIED			

6.22.11	CHANGE AS PER ECN 11-086	B
9.24.08	CHANGE AS PER ECN 08-164	A
DATE	DESCRIPTION	REV.

# Mouser Electronics

Authorized Distributor

Click to View Pricing, Inventory, Delivery & Lifecycle Information:

[Keystone Electronics:](#)

[3550-2](#)