

Slide Switch

Q-10046

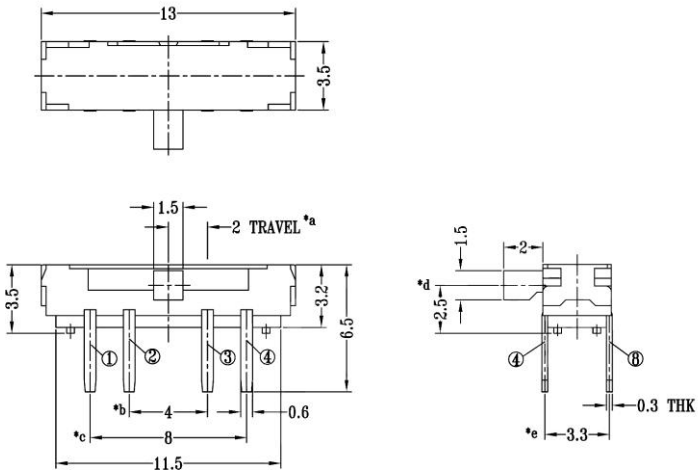
TYPE: **SM191**[MK-23D38]

SPECIFICATIONS

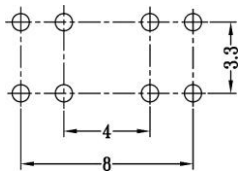


Contact Type	DP3T
Pin Width	2 mm
Rating	DC 6V, 0.3A
Contacts Resistance	10mΩ
Insulation Resistance	1000MΩ
Minimum Load	DC 500V
Dielectric Strengths	AC 1000V / 1 minute
Life Test	10 000 cycles/ minute
Material	Plastic & Metal

Outline Drawing



Mounting



Circuitry

