



# US-324

## USB 1 Port RS422/485 1MBaud

“SERIAL CARDS ENGINEERED TO EXCEED EXPECTATIONS”

### Features

- 1 x RS422/485
- USB 2.0
- 128 Byte TX and 256 Byte RX FIFOs
- Up to 921,600 Baud
- DB9 Connector - 9 Pin Male
- Includes 0.25mm USB Extender cable
- Drivers for all popular operating systems
- Sample Programs, Test & Terminal software
- Lifetime Support
- Lifetime Warranty (registration required)

### Description

USB to Serial adapter providing one RS422/485 serial port. Data transfer rates up to 921,600 baud rates and the 128 byte deep transmit and 256 byte receive FIFOs, coupled with 1Mbit line drivers deliver uncompromising performance on your laptop/PC. Drivers for Windows 32 bit and 64 bit Operating Systems including Windows XP, Server 2003, Vista, Server 2008, Windows 7 and Windows 8 with additional drivers for Raspberry Pi, Mac OS X and Linux.

USB to serial is the quick low cost way to connect your computer to a serial comms enabled device. Boost software gives industry leading functionality and compatibility.

These products do away with traditional issues with USB technology so you can buy with confidence!

With Brainboxes industry renowned Lifetime Warranty and Lifetime Support!

### Product



US-324:  
USB 1 Port  
RS422/485  
1MBaud



### Software

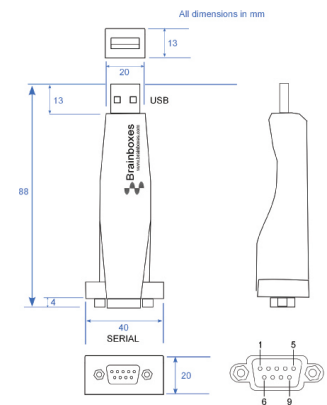
Microsoft signed drivers (easy installation & robust operation) for:

- Windows 8 32 bit 64 bit Editions
- Windows 7 32 bit 64 bit Editions
- Windows Vista 32 bit 64 bit editions
- Windows XP 32 bit 64 bit editions

As well as: full product documentation, a thorough troubleshooting guide and terminal software. Detailed sample source code for many popular programming languages. Further OS support on next page.

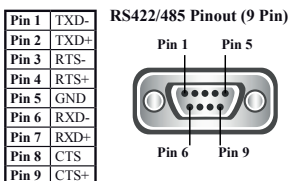
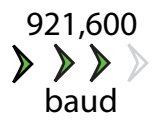



**ORDER**  
Description  
USB 1 Port RS422/485 1MBaud

Code  
US-324



# US-324- USB 1 Port RS422/485 1MBaud

## US-324: Full Specification

<b>Port</b> 	<b>Ports</b> 1 x RS422/485  <b>Connector</b> DB9 Connector - 9 Pin Male  <b>FIFO Size</b> 256 Rx FIFO + 128 Tx FIFO  <b>Operating Distance</b> RS422/485 Standard 4000 ft : 1200 metres  <b>Cable</b> USB extender cable 0.25 metre 1ft	
<b>Port Settings</b>  	<b>Baud Rate</b> 921,600  <b>Data Bits</b> 7 or 8  <b>Parity</b> Odd, Even, None, Mark or Space  <b>Stop Bits</b> 1 or 2  <b>Flow Control</b> Full Duplex, Half Duplex Autogating	
<b>Interface</b>  	<b>OS Compatibility</b> Microsoft Windows 8 32 bit 64 bit Editions Raspberry Pi Microsoft Windows 7 32 bit 64 bit Editions Windows Server 2008 32 bit 64 bit Editions Windows Vista 32 bit 64 bit Editions	<b>BUS</b> USB 2.0
<b>Approvals</b>  	<b>Other Approvals</b> AEO C-TPAT C-Tick Microsoft Certified Gold Partner WEEE RoHS METL UL	<b>Microsoft Approvals</b> Windows 7 32 bit 64 bit Editions Windows Vista 32 bit 64 bit editions Windows XP 32 bit 64 bit editions
<b>General</b>  	<b>PCB Layers</b> 4  <b>Power Consumption</b> 80mA @ 5V  <b>Product Weight</b> 0.023 kg, 0.81 ounces  <b>Product Size</b> 89x35x20 mm, 3.5x1.4x0.8 inches	
<b>Box Content</b>	<b>Packaging</b> Cable, Installation CD (inc manual, Microsoft signed drivers & Utilities)	<b>Device</b> USB 1 Port RS422/485 1MBaud USB extender cable 0.25 metre 1ft
<b>Product Support</b>	<b>Warranty</b> Lifetime (online registration required)	<b>Support</b> Lifetime Web, Email & Phone Support from fully qualified, friendly staff who work in and alongside our Product Development Team
<b>Additional</b>	<b>OEM Option</b> Available for bulk buy OEM  <b>Made In</b> Manufactured in the UK by Brainboxes Winner 2005 European Electronics Industry Awards "Manufacturer of the Year"  <b>Customisable</b> Brainboxes operate a "Perfect Fit Custom Design" policy for volume users. More info: <a href="mailto:sales@brainboxes.com">sales@brainboxes.com</a>	

# Mouser Electronics

Authorized Distributor

Click to View Pricing, Inventory, Delivery & Lifecycle Information:

[Brainboxes:](#)

[US-324](#)