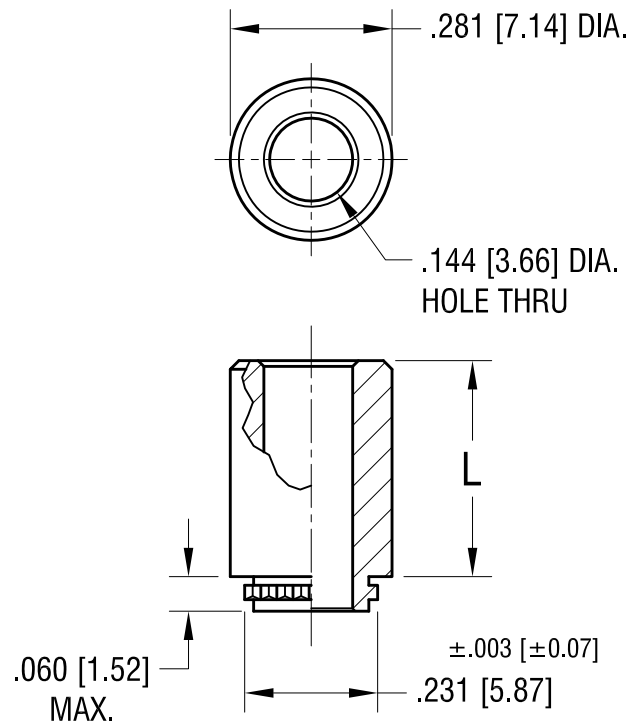


THIS DOCUMENT IS THE PROPERTY OF
KEYSTONE ELECTRONICS CORP. AND
SHALL NOT BE REPRODUCED, DISTRIBUTED
OR USED AS A BASIS FOR MANUFACTURE
WITHOUT PRIOR WRITTEN PERMISSION
FROM KEYSTONE ELECTRONICS CORP.

ACTUAL SIZE



P/N 4858



| PART NO. | 'L' DIM. |
|----------|--------------|
| 4855 | .065 [1.65] |
| 4856 | .125 [3.18] |
| 4857 | .250 [6.35] |
| 4858 | .375 [9.53] |
| 4859 | .500 [12.70] |

KEYSTONE ELECTRONICS CORP.

www.keyelco.com • NEW HYDE PARK NY 11040 • Tel (516)328-7500

| | | | |
|--------------------------------|-----------------|--------|-------------|
| PART NAME | | | |
| FORCE-FIT STANDOFF, CLEAR HOLE | | | |
| MATERIAL | | | |
| STAINLESS STEEL | | | |
| FINISH | | DRN BY | DATE |
| NONE | | BOONE | 4.22.96 |
| | | APP'D | SCALE |
| | | LN | 3X |
| TOLERANCES | INCH [MM] | CODE | DWG NO. |
| DECIMAL | ± .005 [± 0.13] | C | 4855 - 4859 |
| ANGULAR | ± 1° | | |
| UNLESS OTHERWISE SPECIFIED | | | |

| | | |
|----------|--------------------------|------|
| 11.22.21 | CHANGE AS PER ECN 21-151 | B |
| 12.19.05 | CHANGE AS PER ECN 05-084 | A |
| DATE | DESCRIPTION | REV. |

Mouser Electronics

Authorized Distributor

Click to View Pricing, Inventory, Delivery & Lifecycle Information:

[Keystone Electronics:](#)

[4859](#)