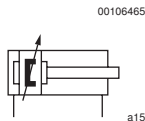


Piston rod cylinders → Standard cylinders

Mini cylinder, ISO 6432, series MNI

► Ø 16 - 25 mm ► Ports: M5 - G 1/8 ► double-acting ► with magnetic piston ► cushioning: pneumatic, adjustable
 ► with integrated rear eye ► piston rod: external thread ► ATEX optional



Standards	ISO 6432
Compressed air connection	internal thread
Working pressure min./max.	1 bar / 10 bar
Ambient temperature min./max.	-25 °C / +80 °C
Medium temperature min./max.	-25 °C / +80 °C
Medium	Compressed air
Max. particle size	5 µm
Oil content of compressed air	0 mg/m ³ - 5 mg/m ³
Pressure for determining piston forces	6,3 bar

Materials:	
Cylinder tube	Stainless steel
Piston rod	Stainless steel
Piston	Brass
Front cover	Aluminum, anodized
End cover	Aluminum anodized
Seal	Acrylonitrile Butadiene Rubber; Polyurethane
Nut for cylinder mounting	Steel, galvanized
Nut for piston rod	Steel, galvanized
Scraper	Acrylonitrile Butadiene Rubber

Technical Remarks

- The pressure dew point must be at least 15 °C under ambient and medium temperature and may not exceed 3 °C.
- The oil content of air pressure must remain constant during the life cycle.
- Use only the approved oils from Bosch Rexroth, see chapter „Technical information“.
- Clamping piece for magnetic field sensor necessary
- ATEX-certified cylinders are available at Bosch Rexroth sales centres
- ATEX ID: II 2G2D c IIB T4 X -25 °C ≤ Ta ≤ 50 °C
- For ATEX-certified cylinders, the temperature range specified in the header does not apply. See the ATEX ID.

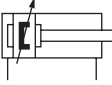
Piston Ø	[mm]	16	20	25		
Retracting piston force	[N]	108	165	255		
Extending piston force	[N]	126	195	305		
Cushioning length	[mm]	9	13	17.5		
Weight	0 mm stroke	[kg]	0.1	0.16	0.265	
	+10 mm stroke	[kg]	0.0055	0.009	0.013	
Stroke max.	[mm]	800	1300	1500		
Note		1)	1)	1)		

1) Material front cover: Aluminum

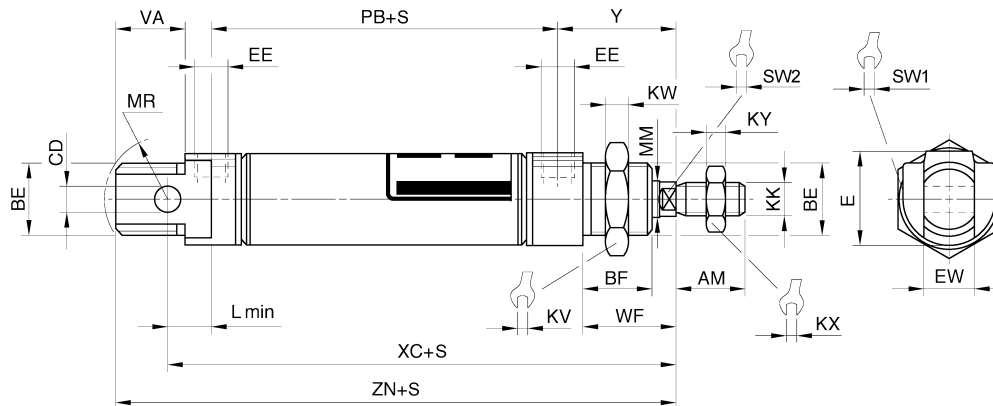
Piston rod cylinders → Standard cylinders

Mini cylinder, ISO 6432, series MNI

► Ø 16 - 25 mm ► Ports: M5 - G 1/8 ► double-acting ► with magnetic piston ► cushioning: pneumatic, adjustable
 ► with integrated rear eye ► piston rod: external thread ► ATEX optional

	Piston Ø Piston rod thread Ports Piston rod Ø Cylinder outer thread	16 M6 M5 6 M16x1,5	20 M8 G 1/8 8 M22x1,5	25 M10x1,25 G 1/8 10 M22x1,5		
	Stroke 10	0822332501	0822333501	0822334501		
	25	0822332502	0822333502	0822334502		
	50	0822332503	0822333503	0822334503		
	80	0822332504	0822333504	0822334504		
	100	0822332505	0822333505	0822334505		
	125	0822332506	0822333506	0822334506		
	160	0822332507	0822333507	0822334507		
	200	0822332508	0822333508	0822334508		
	250	-	0822333509	0822334509		
	320	-	0822333510	0822334510		
	400	-	-	0822334511		
	500	-	-	0822334512		

other versions can be ordered from Bosch Rexroth sales offices

Dimensions

00106425_1

Dimensions

Piston Ø	AM-2	BE	BF	CD H9	E	EE	EW d13	KK	KV	KW	KX	KY
16	16	M16x1,5	16	6	19	M5 t=5	12	M6	22	6	10	3.2
20	20	M22x1,5	18	8	28	G1/8 t=8	16	M8	30	7	13	4
25	22	M22x1,5	21	8	28	G1/8 t=8	16	M10x1,25	30	7	17	6

Piston Ø	L	MM f8	MR	PB ±1	VA	WF ±1,2	XC ±1	Y ± 1	ZN ± 1,4	SW 1	SW 2
16	9	6	16	47	17	22	82	27	95.5	19	5
20	12	8	18	51	19	24	95	32	109.5	28	6
25	12	10	19	55	21	28	104	36	119.5	28	8

t = depth of thread