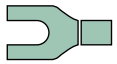
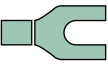


Solderless terminals

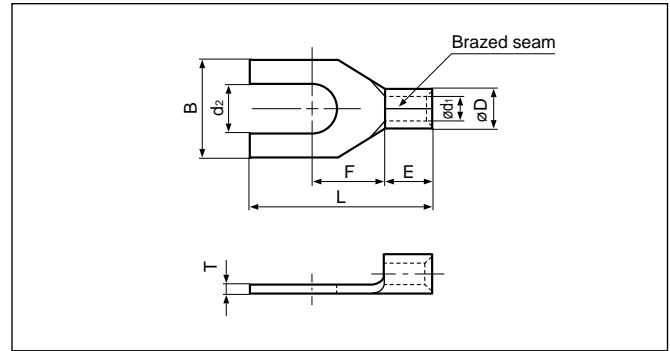


SPADE TONGUE (A type) Non-insulated



Actual

Refer to page 145 for actual size of the terminal. (except for 1.25-2A)

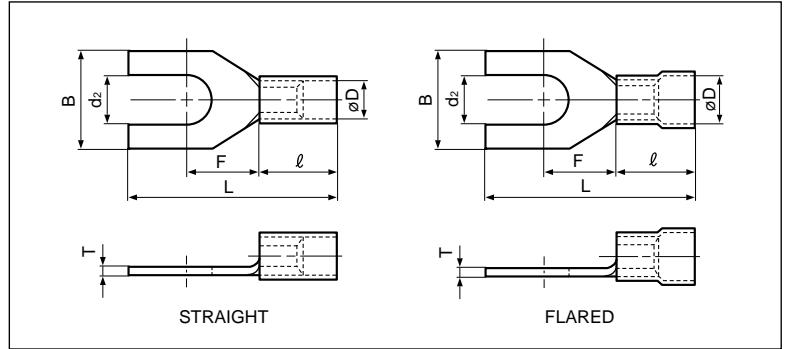
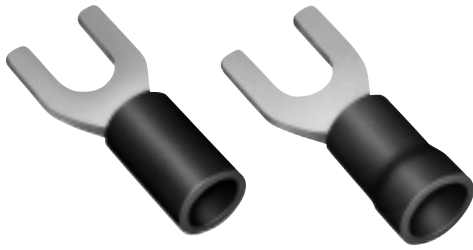


File No.: E42024 LR20812

| Applicable Wire AWG#(mm ²) | Stud size | | Part No. | Standard | Dimensions mm (in.) | | | | | | | | Tool No. | Qty/box |
|---|-----------|----------|------------|------------|---------------------|--------------|--------------|-------------|------------|------------|------------------|------------|--|---------|
| | American | Metric | | | d ₂ | B | L | F | E | ø D | ø d ₁ | T | | |
| 26 to 22 (0.2 to 0.5) | 1-2 | 2 | 0.5-2A | | 2.2 (.087) | 4.6 (.181) | 12.8 (.504) | 4.5 (.177) | 4.0 (.157) | 2.0 (.079) | 1.0 (.039) | 0.5 (.020) | YHT-2622 YA-1 YA-2 BCT-0514 | 1,000 |
| | 3-4 | 3 | 0.5-3A | | 3.2 (.126) | 5.0 (.197) | 12.5 (.492) | 6.0 (.236) | | | | | | |
| | 5-6 | 3.5 | 0.5-3.7A | | 3.7 (.146) | 6.4 (.252) | 15.0 (.591) | 7.7 (.303) | | | | | | |
| | 8 | 4 | 0.5-4A | | 4.3 (.169) | 7.0 (.276) | 16.2 (.638) | 6.3 (.248) | | | | | | |
| 22 to 16 (0.25 to 1.65) | 1-2 | 2 | 1.25-2A | | 2.2 (.087) | 4.6 (.181) | 14.6 (.575) | 4.3 (.169) | 4.8 (.189) | 3.4 (.134) | 1.7 (.067) | 0.8 (.031) | YHT-2210 YA-1 YA-2 YA-4 BCT-0514 | 1,000 |
| | 3-4 | 3 | 1.25-C3A | | 3.2 (.126) | 5.6 (.221) | 15.8 (.622) | 6.3 (.248) | | | | | | |
| | 3-4 | 3 | 1.25-B3A | | 3.2 (.126) | 5.8 (.228) | 15.8 (.622) | 6.3 (.248) | | | | | | |
| | 3-4 | 3 | 1.25-M3A | | 3.2 (.126) | 6.35 (.250) | 16.0 (.630) | 8.0 (.315) | | | | | | |
| | 5-6 | 3.5 | 1.25-C3.5A | | 3.7 (.146) | 5.6 (.221) | 15.8 (.622) | 6.3 (.248) | | | | | | |
| | 5-6 | 3.5 | 1.25-B3.5A | | 3.7 (.146) | 5.8 (.228) | 15.8 (.622) | 6.3 (.248) | | | | | | |
| | 5-6 | 3.5 | 1.25-N3A | | 3.7 (.146) | 6.2 (.244) | 15.8 (.622) | 6.3 (.248) | | | | | | |
| | 5-6 | 3.5 | 1.25-YS3A | | 3.7 (.146) | 6.4 (.252) | 15.4 (.606) | 6.3 (.248) | | | | | | |
| | 5-6 | 3.5 | 1.25-S3A | | 3.7 (.146) | 7.2 (.283) | 15.8 (.622) | 6.3 (.248) | | | | | | |
| | 5-6 | 3.5 | 1.25-P3A | | 3.7 (.146) | 7.5 (.295) | 13.8 (.543) | 5.5 (.217) | | | | | | |
| | 8 | 4 | 1.25-YS4A | | 4.3 (.169) | 6.4 (.252) | 15.4 (.606) | 6.3 (.248) | | | | | | |
| | 8 | 4 | 1.25-S4A | | 4.3 (.169) | 7.2 (.283) | 15.8 (.622) | 6.3 (.248) | | | | | | |
| | 8 | 4 | 1.25-4A | | 4.3 (.169) | 8.5 (.335) | 15.8 (.622) | 7.0 (.276) | | | | | | |
| | 10 | 5 | 1.25-S5A | | 5.3 (.209) | 7.2 (.283) | 15.8 (.622) | 6.3 (.248) | | | | | | |
| 10 | 5 | 1.25-M5A | | 5.3 (.209) | 8.5 (.335) | 15.8 (.622) | 7.0 (.276) | | | | | | | |
| 10 | 5 | 1.25-5A | | 5.3 (.209) | 9.5 (.374) | 15.8 (.622) | 7.0 (.276) | | | | | | | |
| 1/4 | 6 | 1.25-6A | | 6.4 (.252) | 12.0 (.472) | 22.0 (.866) | 11.0 (.433) | | | | | | | |
| 16 to 14 (1.04 to 2.63) | 3-4 | 3 | 2-N3A | | 3.2 (.126) | 5.9 (.232) | 15.8 (.622) | 6.3 (.248) | 4.8 (.189) | 4.1 (.161) | 2.3 (.091) | 0.8 (.031) | YHT-2210 YA-1 YA-2 YA-4 BCT-0514 | 1,000 |
| | 3-4 | 3 | 2-M3A | | 3.2 (.126) | 6.0 (.236) | 14.5 (.571) | 5.0 (.197) | | | | | | |
| | 5-6 | 3.5 | 2-C3.5A | | 3.7 (.146) | 5.6 (.220) | 15.8 (.622) | 6.3 (.248) | | | | | | |
| | 5-6 | 3.5 | 2-YS3A | | 3.7 (.146) | 6.4 (.252) | 15.4 (.606) | 6.3 (.248) | | | | | | |
| | 5-6 | 3.5 | 2-S3A | | 3.7 (.146) | 7.2 (.283) | 16.0 (.630) | 6.5 (.256) | | | | | | |
| | 5-6 | 3.5 | 2-3A | | 3.7 (.146) | 8.5 (.335) | 16.8 (.661) | 7.3 (.287) | | | | | | |
| | 8 | 4 | 2-YS4A | | 4.3 (.169) | 6.4 (.252) | 15.4 (.606) | 6.3 (.248) | | | | | | |
| | 8 | 4 | 2-YM4A | | 4.3 (.169) | 6.8 (.268) | 15.4 (.606) | 6.3 (.248) | | | | | | |
| | 8 | 4 | 2-S4A | | 4.3 (.169) | 7.2 (.283) | 16.0 (.630) | 6.5 (.256) | | | | | | |
| | 8 | 4 | 2-4A | | 4.3 (.169) | 8.5 (.335) | 16.8 (.661) | 7.3 (.287) | | | | | | |
| | 10 | 5 | 2-M5A | | 5.3 (.209) | 8.5 (.335) | 16.8 (.661) | 7.3 (.287) | | | | | | |
| | 10 | 5 | 2-5A | | 5.3 (.209) | 9.5 (.374) | 16.8 (.661) | 7.3 (.287) | | | | | | |
| 1/4 | 6 | 2-6A | | 6.4 (.252) | 12.0 (.472) | 22.0 (.866) | 11.0 (.433) | | | | | | | |
| 12 to 10 (2.63 to 6.64) | 5-6 | 3.5 | 5.5-S3A | | 3.7 (.146) | 7.2 (.283) | 19.5 (.768) | 7.5 (.295) | 6.8 (.268) | 5.6 (.220) | 3.4 (.134) | 1.0 (.039) | YHT-2210 YA-1 YA-2 YA-4 BCT-0514 | 1,000 |
| | 5-6 | 3.5 | 5.5-3A | | 3.7 (.146) | 9.5 (.374) | 19.5 (.768) | 7.5 (.295) | | | | | | |
| | 8 | 4 | 5.5-S4A | | 4.3 (.169) | 8.5 (.335) | 19.5 (.768) | 7.5 (.295) | | | | | | |
| | 8 | 4 | 5.5-4A | | 4.3 (.169) | 9.5 (.374) | 19.5 (.768) | 7.5 (.295) | | | | | | |
| | 10 | 5 | 5.5-5A | | 5.3 (.209) | 9.5 (.374) | 19.5 (.768) | 7.5 (.295) | | | | | | |
| | 1/4 | 6 | 5.5-6A | | 6.4 (.252) | 13.5 (.532) | 25.5 (1.004) | 12.2 (.480) | | | | | | |
| 5/16 | 8 | 5.5-8A | | 8.4 (.331) | 13.5 (.532) | 25.5 (1.004) | 12.2 (.480) | 500 | | | | | | |

Note:1) The part numbers indicated in the above table are for products with a brazed seam.
When ordering products with a butted seam, add the prefix "WS" to the part number (ex. 2-4A → **WS2-4A**).
2) Delivery lead times may vary depending on the product. Contact JST for details.

SPADE TONGUE (A type) Vinyl-insulated



File No.: E42024 LR20812

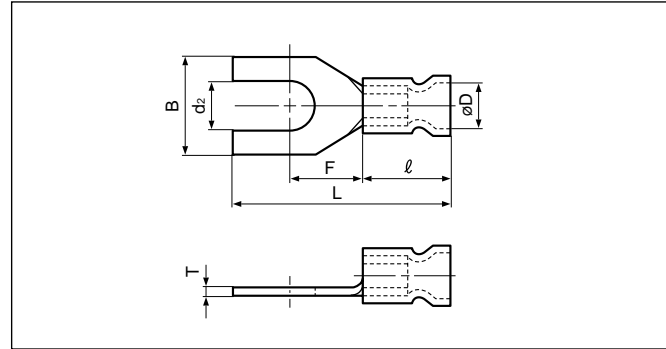
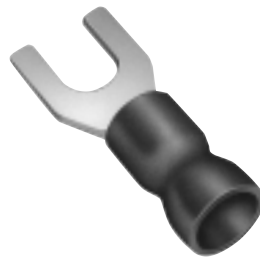
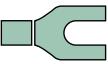
| Applicable Wire AWG#(mm ²) | Stud size | | Part No. | | Standard | Dimensions mm (in.) | | | | | | | Color | Tool No. | Qty/box | |
|---|----------------------------|--------|-------------|-------------|----------|---------------------|-------------|--------------|-------------|----------------|---------------|---------------|---------------|----------|--|-------|
| | American | Metric | Straight | Flared | | d ₂ | B | L | F | ℓ | ø D | | | | | T |
| | | | | | | | | | | | | | Str. | Fld. | | |
| 26 to 22 (0.2 to 0.5) | 3-4 | 3 | V0.5-3A | FV0.5-3A | | 3.2 (.126) | 5.0 (.197) | 16.5 (.650) | 6.0 (.236) | 8.0 (.315) | 1.9 (.075) | 2.9 (.114) | 0.5 (.020) | Yellow | YNT-2622 YA-1, YA-2 BCT-0514 | 1,000 |
| | 5-6 | 3.5 | V0.5-3.7A | FV0.5-3.7A | | 3.7 (.146) | 6.4 (.252) | 19.0 (.748) | 7.7 (.303) | | | | | | | |
| 22 to 16 *(0.25 to 1.65) | 1-2 | 2 | V1.25-2A | FV1.25-2A | | 2.2 (.087) | 4.6 (.181) | 18.8 (.740) | 4.3 (.169) | 9.0 (.354) | 3.2 (.126) | 4.0 (.157) | 0.8 (.031) | Red | YNT-2216 YA-1 YA-2 YA-4 BCT-0514 | 1,000 |
| | 3-4 | 3 | V1.25-B3A | FV1.25-B3A | | 3.2 (.126) | 5.8 (.228) | 20.0 (.787) | 6.3 (.248) | | | | | | | |
| | 5-6 | 3.5 | V1.25-C3.5A | - | | 3.7 (.146) | 5.6 (.220) | 20.0 (.787) | 6.3 (.248) | | | | | | | |
| | 5-6 | 3.5 | V1.25-N3A | FV1.25-N3A | | 3.7 (.146) | 6.2 (.244) | 20.0 (.787) | 6.3 (.248) | | | | | | | |
| | 5-6 | 3.5 | V1.25-YS3A | FV1.25-YS3A | | 3.7 (.146) | 6.4 (.252) | 19.6 (.772) | 6.3 (.248) | | | | | | | |
| | 5-6 | 3.5 | V1.25-S3A | FV1.25-S3A | | 3.7 (.146) | 7.2 (.284) | 20.0 (.787) | 6.3 (.248) | | | | | | | |
| | 5-6 | 3.5 | V1.25-P3A | FV1.25-P3A | | 3.7 (.146) | 7.5 (.295) | 18.0 (.709) | 5.5 (.217) | | | | | | | |
| | 8 | 4 | V1.25-YS4A | FV1.25-YS4A | | 4.3 (.169) | 6.4 (.252) | 19.6 (.772) | 6.3 (.248) | | | | | | | |
| | 8 | 4 | V1.25-S4A | FV1.25-S4A | | 4.3 (.169) | 7.2 (.284) | 20.0 (.787) | 6.3 (.248) | | | | | | | |
| | 8 | 4 | V1.25-4A | FV1.25-4A | | 4.3 (.169) | 8.5 (.335) | 20.0 (.787) | 7.0 (.276) | | | | | | | |
| | 10 | 5 | V1.25-S5A | FV1.25-S5A | | 5.3 (.209) | 7.2 (.284) | 20.0 (.787) | 6.3 (.248) | | | | | | | |
| | 16 to 14 (1.04 to 2.63) | 3-4 | 3 | V2-N3A | FV2-N3A | | 3.2 (.126) | 5.9 (.232) | 20.0 (.787) | | | | | | | |
| 3-4 | | 3 | V2-M3A | FV2-M3A | | 3.2 (.126) | 6.0 (.236) | 18.7 (.736) | 5.0 (.197) | | | | | | | |
| 5-6 | | 3.5 | V2-YS3A | FV2-YS3A | | 3.7 (.146) | 6.4 (.252) | 19.6 (.772) | 6.3 (.248) | | | | | | | |
| 5-6 | | 3.5 | V2-S3A | FV2-S3A | | 3.7 (.146) | 7.2 (.284) | 20.2 (.795) | 6.5 (.256) | | | | | | | |
| 5-6 | | 3.5 | V2-3A | FV2-3A | | 3.7 (.146) | 8.5 (.335) | 21.0 (.827) | 7.3 (.287) | | | | | | | |
| 8 | | 4 | V2-YS4A | FV2-YS4A | | 4.3 (.169) | 6.4 (.252) | 19.6 (.772) | 6.3 (.248) | | | | | | | |
| 8 | | 4 | V2-YM4A | FV2-YM4A | | 4.3 (.169) | 6.8 (.268) | 19.6 (.772) | 6.3 (.248) | | | | | | | |
| 8 | | 4 | V2-S4A | FV2-S4A | | 4.3 (.169) | 7.2 (.284) | 20.2 (.795) | 6.5 (.256) | | | | | | | |
| 8 | | 4 | V2-4A | FV2-4A | | 4.3 (.169) | 8.5 (.335) | 21.0 (.827) | 7.3 (.287) | | | | | | | |
| 10 | | 5 | V2-M5A | FV2-M5A | | 5.3 (.209) | 8.5 (.335) | 21.0 (.827) | 7.3 (.287) | | | | | | | |
| 12 to 10 (2.63 to 6.64) | 5-6 | 3.5 | V5.5-S3A | FV5.5-S3A | | 3.7 (.146) | 7.2 (.283) | 26.2 (1.032) | 7.5 (.295) | 13.5 (.531) | 5.4 (.213) | 6.8 (.268) | 1.0 (.039) | Yellow | YNT-1210S YA-4 BCT-0514 | 500 |
| | 5-6 | 3.5 | V5.5-3A | FV5.5-3A | | 3.7 (.146) | 9.5 (.374) | 26.2 (1.032) | 7.5 (.295) | | | | | | | |
| | 8 | 4 | V5.5-S4A | FV5.5-S4A | | 4.3 (.169) | 8.5 (.335) | 26.2 (1.032) | 7.5 (.295) | | | | | | | |
| | 8 | 4 | V5.5-4A | FV5.5-4A | | 4.3 (.169) | 9.5 (.374) | 26.2 (1.032) | 7.5 (.295) | | | | | | | |
| | 10 | 5 | V5.5-5A | FV5.5-5A | | 5.3 (.209) | 9.5 (.374) | 26.2 (1.032) | 7.5 (.295) | | | | | | | |
| | 1/4 | 6 | V5.5-6A | FV5.5-6A | | 6.4 (.252) | 13.5 (.532) | 32.2 (1.268) | 12.2 (.480) | | | | | | | |
| | 5/16 | 8 | V5.5-8A | FV5.5-8A | | 8.4 (.331) | 13.5 (.532) | 32.2 (1.268) | 12.2 (.480) | | | | | | | |

- Note: 1) *The crimping will be more secure if the total cross-sectional area of the wire is at least 0.5 mm².
 Examples: If the cross-sectional area of the wire is 0.3mm², fold the wire in two when crimping the terminal.
 If the cross-sectional area of the wire is 0.5mm², crimp the terminal onto the wire as it is.
- The part numbers indicated in the above table are for products with a brazed seam.
 When ordering products with a butted seam, add the prefix "WS" to the part number (ex. V2-4A → **VWS2-4A**).
 - To order products with nylon insulation, change the "V" in the part number prefix to "N" (ex. V2-4A → **N2-4A**).
 Because nylon absorbs moisture, care must be taken concerning storage.
 - Delivery lead times may vary depending on the product. Contact JST for details.

Solderless terminals



SPADE TONGUE (A type) Vinyl-insulated (funnel-entry)



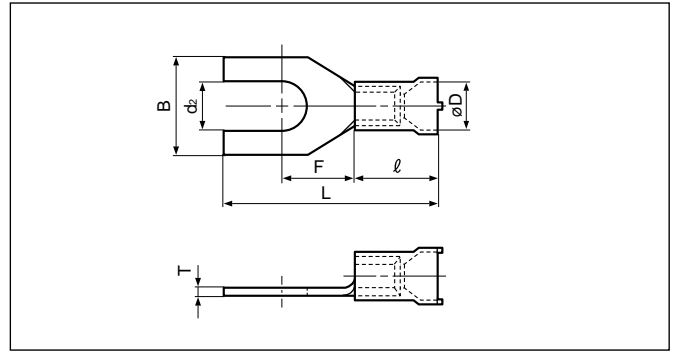
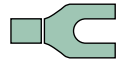
File No.: E42024 LR20812

| Applicable Wire AWG#(mm ²) | Stud size | | Part No. | Standard | Dimensions mm (in.) | | | | | | Color | Tool No. | Qty/box | |
|---|-----------|------------|--------------|------------|---------------------|--------------|--------------|-------------|----------------|---------------|---------------|----------|--|-------|
| | American | Metric | | | d ₂ | B | L | F | ℓ | øD | | | | T |
| 22 to 16 (0.25 to 1.65) | 3-4 | 3 | FVX1.25-B3A | | 3.2 (.126) | 5.8 (.228) | 21.8 (.858) | 6.3 (.248) | 10.8 (.425) | 4.0 (.157) | 0.8 (.031) | Red | YNT-2216 YA-1 YA-2 YA-4 BCT-0514 | 1,000 |
| | 5-6 | 3.5 | FVX1.25-N3A | | 3.7 (.146) | 6.2 (.244) | 21.8 (.858) | 6.3 (.248) | | | | | | |
| | 5-6 | 3.5 | FVX1.25-YS3A | | 3.7 (.146) | 6.4 (.252) | 21.4 (.843) | 6.3 (.248) | | | | | | |
| | 5-6 | 3.5 | FVX1.25-S3A | | 3.7 (.146) | 7.2 (.284) | 21.8 (.858) | 6.3 (.248) | | | | | | |
| | 5-6 | 3.5 | FVX1.25-P3A | | 3.7 (.146) | 7.5 (.295) | 21.8 (.858) | 5.5 (.217) | | | | | | |
| | 8 | 4 | FVX1.25-YS4A | | 4.3 (.169) | 6.4 (.252) | 21.4 (.843) | 6.3 (.248) | | | | | | |
| | 8 | 4 | FVX1.25-S4A | | 4.3 (.169) | 7.2 (.284) | 21.8 (.858) | 6.3 (.248) | | | | | | |
| | 8 | 4 | FVX1.25-4A | | 4.3 (.169) | 8.5 (.335) | 21.8 (.858) | 7.0 (.276) | | | | | | |
| | 10 | 5 | FVX1.25-S5A | | 5.3 (.209) | 7.2 (.284) | 21.8 (.858) | 6.3 (.248) | | | | | | |
| | 10 | 5 | FVX1.25-M5A | | 5.3 (.209) | 8.5 (.335) | 21.8 (.858) | 7.0 (.276) | | | | | | |
| 10 | 5 | FVX1.25-5A | | 5.3 (.209) | 9.5 (.374) | 21.8 (.858) | 7.0 (.276) | | | | | | | |
| 1/4 | 6 | FVX1.25-6A | | 6.4 (.252) | 12.0 (.472) | 28.0 (1.102) | 11.0 (.433) | | | | | | | |
| 16 to 14 (1.04 to 2.63) | 3-4 | 3 | FVX2-N3A | | 3.2 (.126) | 5.9 (.232) | 21.8 (.858) | 6.3 (.248) | 10.8 (.425) | 4.6 (.181) | 0.8 (.031) | Blue | BCT-0514 YNT-1614 YA-1 YA-2 YA-4 BCT-0514 | 1,000 |
| | 3-4 | 3 | FVX2-M3A | | 3.2 (.126) | 6.0 (.236) | 20.5 (.807) | 5.0 (.197) | | | | | | |
| | 5-6 | 3.5 | FVX2-YS3A | | 3.7 (.146) | 6.4 (.252) | 21.4 (.843) | 6.3 (.248) | | | | | | |
| | 5-6 | 3.5 | FVX2-S3A | | 3.7 (.146) | 7.2 (.284) | 23.0 (.906) | 6.5 (.256) | | | | | | |
| | 5-6 | 3.5 | FVX2-3A | | 3.7 (.146) | 8.5 (.335) | 22.8 (.898) | 7.3 (.287) | | | | | | |
| | 8 | 4 | FVX2-YS4A | | 4.3 (.169) | 6.4 (.252) | 21.4 (.843) | 6.3 (.248) | | | | | | |
| | 8 | 4 | FVX2-YM4A | | 4.3 (.169) | 6.8 (.268) | 21.4 (.843) | 6.3 (.248) | | | | | | |
| | 8 | 4 | FVX2-S4A | | 4.3 (.169) | 7.2 (.284) | 23.0 (.906) | 6.5 (.256) | | | | | | |
| | 8 | 4 | FVX2-4A | | 4.3 (.169) | 8.5 (.335) | 22.8 (.898) | 7.3 (.287) | | | | | | |
| | 10 | 5 | FVX2-M5A | | 5.3 (.209) | 8.5 (.335) | 22.8 (.898) | 7.3 (.287) | | | | | | |
| | 10 | 5 | FVX2-5A | | 5.3 (.209) | 9.5 (.374) | 22.8 (.898) | 7.3 (.287) | | | | | | |
| | 1/4 | 6 | FVX2-6A | | 6.4 (.252) | 12.0 (.472) | 28.0 (1.102) | 11.0 (.433) | | | | | | |
| 12 to 10 (2.63 to 6.64) | 5-6 | 3.5 | FVX5.5-S3A | | 3.7 (.146) | 7.2 (.284) | 26.7 (1.051) | 7.5 (.295) | 14.0 (.551) | 6.8 (.268) | 1.0 (.039) | Yellow | YNT-1210S YA-4 BCT-0514 | 500 |
| | 5-6 | 3.5 | FVX5.5-3A | | 3.7 (.146) | 9.5 (.374) | 26.7 (1.051) | 7.5 (.295) | | | | | | |
| | 8 | 4 | FVX5.5-S4A | | 4.3 (.169) | 8.5 (.335) | 26.7 (1.051) | 7.5 (.295) | | | | | | |
| | 8 | 4 | FVX5.5-4A | | 4.3 (.169) | 9.5 (.374) | 26.7 (1.051) | 7.5 (.295) | | | | | | |
| | 10 | 5 | FVX5.5-5A | | 5.3 (.209) | 9.5 (.374) | 26.7 (1.051) | 7.5 (.295) | | | | | | |
| | 1/4 | 6 | FVX5.5-6A | | 6.4 (.252) | 13.5 (.532) | 32.7 (1.287) | 12.2 (.480) | | | | | | |
| 5/16 | 8 | FVX5.5-8A | | 8.4 (.331) | 13.5 (.532) | 32.7 (1.287) | 12.2 (.480) | 250 | | | | | | |

Note:1) The part numbers indicated in the above table are for products with a brazed seam.
 When ordering products with a butted seam, add the prefix "WS" to the part number (ex. FVX2-4A → **FVXWS2-4A**).
 2) *The crimping will be more secure if the total cross-sectional area of the wire is at least 0.5 mm².
 Examples: If the cross-sectional area of the wire is 0.3mm², fold the wire in two when crimping the terminal.
 If the cross-sectional area of the wire is 0.5mm², crimp the terminal onto the wire as it is.
 3) Delivery lead times may vary depending on the product. Contact JST for details.



SPADE TONGUE (A type) Vinyl-insulated (funnel-entry)

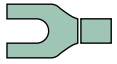


File No.: E42024 LR20812

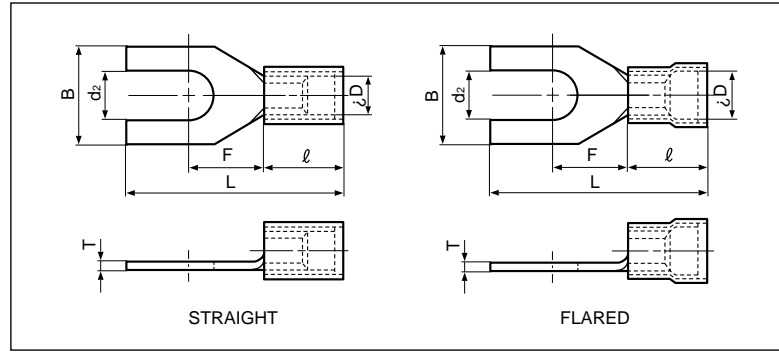
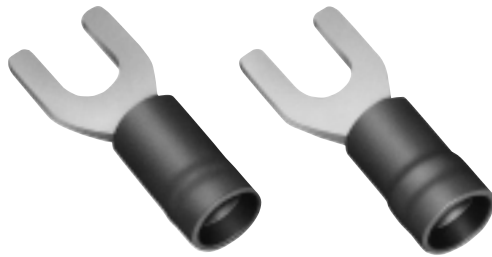
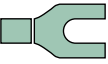
| Applicable Wire AWG#(mm ²) | Stud size | | Part No. | Standard | Dimensions mm (in.) | | | | | | Color | Tool No. | Qty/box | |
|---|-----------|------------|--------------|------------|---------------------|--------------|--------------|-------------|----------------|---------------|---------------|----------|--|-------|
| | American | Metric | | | d ₂ | B | L | F | ℓ | øD | | | | T |
| 22 to 16 *(0.25 to 1.65) | 1-2 | 2 | FVL1.25-2A | | 2.2 (.087) | 4.6 (.181) | 19.2 (.756) | 4.3 (.169) | 9.4 (.370) | 4.2 (.165) | 0.8 (.031) | Red | YNT-2216 YA-1 YA-2 YA-4 BCT-0514 | 1,000 |
| | 3-4 | 3 | FVL1.25-B3A | | 3.2 (.126) | 5.8 (.228) | 20.4 (.803) | 6.3 (.248) | | | | | | |
| | 5-6 | 3.5 | FVL1.25-N3A | | 3.7 (.146) | 6.2 (.244) | 20.4 (.803) | 6.3 (.248) | | | | | | |
| | 5-6 | 3.5 | FVL1.25-YS3A | | 3.7 (.146) | 6.4 (.252) | 20.0 (.787) | 6.3 (.248) | | | | | | |
| | 5-6 | 3.5 | FVL1.25-S3A | | 3.7 (.146) | 7.2 (.284) | 20.4 (.803) | 6.3 (.248) | | | | | | |
| | 5-6 | 3.5 | FVL1.25-P3A | | 3.7 (.146) | 7.5 (.295) | 18.4 (.724) | 5.5 (.217) | | | | | | |
| | 8 | 4 | FVL1.25-YS4A | | 4.3 (.169) | 6.4 (.252) | 20.0 (.787) | 6.3 (.248) | | | | | | |
| | 8 | 4 | FVL1.25-S4A | | 4.3 (.169) | 7.2 (.284) | 20.4 (.803) | 6.3 (.248) | | | | | | |
| | 8 | 4 | FVL1.25-4A | | 4.3 (.169) | 8.5 (.335) | 20.4 (.803) | 7.0 (.276) | | | | | | |
| | 10 | 5 | FVL1.25-M5A | | 5.3 (.209) | 8.5 (.335) | 20.4 (.803) | 7.0 (.276) | | | | | | |
| | 10 | 5 | FVL1.25-5A | | 5.3 (.209) | 9.5 (.374) | 20.4 (.803) | 7.0 (.276) | | | | | | |
| | 10 | 5 | FVL1.25-S5A | | 5.3 (.209) | 7.2 (.284) | 20.4 (.803) | 6.3 (.248) | | | | | | |
| 1/4 | 6 | FVL1.25-6A | | 6.4 (.252) | 12.0 (.472) | 26.6 (1.047) | 11.0 (.433) | | | | | | | |
| 16 to 14 (1.04 to 2.63) | 3-4 | 3 | FVL2-N3A | | 3.2 (.126) | 5.9 (.232) | 20.4 (.803) | 6.3 (.248) | 9.4 (.370) | 4.7 (.185) | 0.8 (.031) | Blue | YNT-1614 YA-1 YA-2 YA-4 BCT-0514 | 1,000 |
| | 3-4 | 3 | FVL2-M3A | | 3.2 (.126) | 6.0 (.236) | 19.1 (.752) | 5.0 (.197) | | | | | | |
| | 5-6 | 3.5 | FVL2-YS3A | | 3.7 (.146) | 6.4 (.252) | 20.0 (.787) | 6.3 (.248) | | | | | | |
| | 5-6 | 3.5 | FVL2-S3A | | 3.7 (.146) | 7.2 (.284) | 20.6 (.811) | 6.5 (.256) | | | | | | |
| | 5-6 | 3.5 | FVL2-3A | | 3.7 (.146) | 8.5 (.335) | 21.4 (.843) | 7.3 (.287) | | | | | | |
| | 8 | 4 | FVL2-YS4A | | 4.3 (.169) | 6.4 (.252) | 20.0 (.787) | 6.3 (.248) | | | | | | |
| | 8 | 4 | FVL2-YM4A | | 4.3 (.169) | 6.8 (.268) | 20.0 (.787) | 6.3 (.248) | | | | | | |
| | 8 | 4 | FVL2-S4A | | 4.3 (.169) | 7.2 (.284) | 20.6 (.811) | 6.5 (.256) | | | | | | |
| | 8 | 4 | FVL2-4A | | 4.3 (.169) | 8.5 (.335) | 21.4 (.843) | 7.3 (.287) | | | | | | |
| | 10 | 5 | FVL2-M5A | | 5.3 (.209) | 8.5 (.335) | 21.4 (.843) | 7.3 (.287) | | | | | | |
| | 10 | 5 | FVL2-5A | | 5.3 (.209) | 9.5 (.374) | 21.4 (.843) | 7.3 (.287) | | | | | | |
| | 1/4 | 6 | FVL2-6A | | 6.4 (.252) | 12.0 (.472) | 26.6 (1.047) | 11.0 (.433) | | | | | | |
| 12 to 10 (2.63 to 6.64) | 5-6 | 3.5 | FVL5.5-S3A | | 3.7 (.146) | 7.2 (.284) | 26.5 (1.043) | 7.5 (.295) | 13.8 (.543) | 7.0 (.276) | 1.0 (.039) | Yellow | YNT-1210S YA-4 BCT-0514 | 500 |
| | 5-6 | 3.5 | FVL5.5-3A | | 3.7 (.146) | 9.5 (.374) | 26.5 (1.043) | 7.5 (.295) | | | | | | |
| | 8 | 4 | FVL5.5-S4A | | 4.3 (.169) | 8.5 (.335) | 26.5 (1.043) | 7.5 (.295) | | | | | | |
| | 8 | 4 | FVL5.5-4A | | 4.3 (.169) | 9.5 (.374) | 26.5 (1.043) | 7.5 (.295) | | | | | | |
| | 10 | 5 | FVL5.5-5A | | 5.3 (.209) | 9.5 (.374) | 26.5 (1.043) | 7.5 (.295) | | | | | | |
| | 1/4 | 6 | FVL5.5-6A | | 6.4 (.252) | 13.5 (.532) | 32.5 (1.280) | 12.2 (.480) | | | | | | |
| 5/16 | 8 | FVL5.5-8A | | 8.4 (.331) | 13.5 (.532) | 32.5 (1.280) | 12.2 (.480) | | | | | | | |

- Note: 1) The part numbers indicated in the above table are for products with a brazed seam.
 When ordering products with a butted seam, add the prefix "WS" to the part number (ex. FVL2-4A → **FVLWS2-4A**).
 2) *The crimping will be more secure if the total cross-sectional area of the wire is at least 0.5 mm².
 Examples: If the cross-sectional area of the wire is 0.3mm², fold the wire in two when crimping the terminal.
 If the cross-sectional area of the wire is 0.5mm², crimp the terminal onto the wire as it is.
 3) Delivery lead times may vary depending on the product. Contact JST for details.

Solderless terminals



SPADE TONGUE (A type) Vinyl-insulated with copper sleeve



File No.: E42024 LR20812

| Applicable Wire AWG#(mm ²) | Stud size | | Part No. | | Standard | Dimensions mm (in.) | | | | | | | | | | Color | Tool No. | Qty/box |
|---|-----------|-----------|-------------|--------------|------------|---------------------|--------------|--------------|-------------|----------------|---------------|---------------|---------------|--------|--|-------|----------|---------|
| | American | Metric | Straight | Flared | | d ₂ | B | L | F | ℓ | ∅ D | | T | | | | | |
| 26 to 22 (0.2 to 0.5) | 3-4 | 3 | VD0.5-3A | - | | 3.2 (.126) | 5.0 (.197) | 16.5 (.650) | 6.0 (.236) | 8.0 | 2.2 (.087) | 2.5 (.098) | 0.5 (.020) | Yellow | YNT-2622 YA-1, YA-2 BCT-0514 | 1,000 | | |
| | 5-6 | 3.5 | VD0.5-3.7A | - | | 3.7 (.146) | 6.4 (.252) | 19.0 (.748) | 7.7 (.303) | (.315) | | | | | | | | |
| | 3-4 | 3 | - | FVD0.5-3A | | 3.2 (.126) | 5.0 (.197) | 16.8 (.661) | 6.0 (.236) | 8.3 | | | | | | | | |
| | 5-6 | 3.5 | - | FVD0.5-3.7A | | 3.7 (.146) | 6.4 (.252) | 19.3 (.760) | 7.7 (.303) | (.327) | | | | | | | | |
| 22 to 16 (0.25 to 1.65) | 1-2 | 2 | VD1.25-2A | FVD1.25-2A | | 2.2 (.087) | 4.6 (.181) | 19.4 (.764) | 4.3 (.169) | 9.6 (.378) | 3.5 (.138) | 4.0 (.157) | 0.8 (.031) | Red | YNT-2216 YA-1 YA-2 YA-4 BCT-0514 | 1,000 | | |
| | 3-4 | 3 | VD1.25-B3A | FVD1.25-B3A | | 3.2 (.126) | 5.8 (.228) | 20.6 (.811) | 6.3 (.248) | | | | | | | | | |
| | 5-6 | 3.5 | VD1.25-N3A | FVD1.25-N3A | | 3.7 (.146) | 6.2 (.244) | 20.6 (.811) | 6.3 (.248) | | | | | | | | | |
| | 5-6 | 3.5 | VD1.25-YS3A | FVD1.25-YS3A | | 3.7 (.146) | 6.4 (.252) | 20.2 (.795) | 6.3 (.248) | | | | | | | | | |
| | 5-6 | 3.5 | VD1.25-S3A | FVD1.25-S3A | | 3.7 (.146) | 7.2 (.284) | 20.6 (.811) | 6.3 (.248) | | | | | | | | | |
| | 5-6 | 3.5 | VD1.25-P3A | FVD1.25-P3A | | 3.7 (.146) | 7.5 (.295) | 18.6 (.732) | 5.5 (.217) | | | | | | | | | |
| | 8 | 4 | VD1.25-YS4A | FVD1.25-YS4A | | 4.3 (.169) | 6.4 (.252) | 20.2 (.795) | 6.3 (.248) | | | | | | | | | |
| | 8 | 4 | VD1.25-S4A | FVD1.25-S4A | | 4.3 (.169) | 7.2 (.284) | 20.6 (.811) | 6.3 (.248) | | | | | | | | | |
| | 8 | 4 | VD1.25-4A | FVD1.25-4A | | 4.3 (.169) | 8.5 (.335) | 20.6 (.811) | 7.0 (.276) | | | | | | | | | |
| | 10 | 5 | VD1.25-S5A | FVD1.25-S5A | | 5.3 (.209) | 7.2 (.284) | 20.6 (.811) | 6.3 (.248) | | | | | | | | | |
| | 10 | 5 | VD1.25-M5A | FVD1.25-M5A | | 5.3 (.209) | 8.5 (.335) | 20.6 (.811) | 7.0 (.276) | | | | | | | | | |
| | 10 | 5 | VD1.25-5A | FVD1.25-5A | | 5.3 (.209) | 9.5 (.374) | 20.6 (.811) | 7.0 (.276) | | | | | | | | | |
| 1/4 | 6 | VD1.25-6A | FVD1.25-6A | | 6.4 (.252) | 12.0 (.472) | 26.8 (1.055) | 11.0 (.433) | | | | | | | | | | |
| 16 to 14 (1.04 to 2.63) | 3-4 | 3 | VD2-N3A | FVD2-N3A | | 3.2 (.126) | 5.9 (.232) | 20.6 (.811) | 6.3 (.248) | 9.6 (.378) | 4.1 (.161) | 4.7 (.185) | 0.8 (.031) | Blue | YNT-1614 YA-1 YA-2 YA-4 BCT-0514 | 1,000 | | |
| | 3-4 | 3 | VD2-M3A | FVD2-M3A | | 3.2 (.126) | 6.0 (.236) | 19.3 (.760) | 5.0 (.197) | | | | | | | | | |
| | 5-6 | 3.5 | VD2-YS3A | FVD2-YS3A | | 3.7 (.146) | 6.4 (.252) | 20.2 (.795) | 6.3 (.248) | | | | | | | | | |
| | 5-6 | 3.5 | VD2-S3A | FVD2-S3A | | 3.7 (.146) | 7.2 (.284) | 20.8 (.819) | 6.5 (.256) | | | | | | | | | |
| | 5-6 | 3.5 | VD2-3A | FVD2-3A | | 3.7 (.146) | 8.5 (.335) | 21.6 (.850) | 7.3 (.287) | | | | | | | | | |
| | 8 | 4 | VD2-YS4A | FVD2-YS4A | | 4.3 (.169) | 6.4 (.252) | 20.2 (.795) | 6.3 (.248) | | | | | | | | | |
| | 8 | 4 | VD2-YM4A | FVD2-YM4A | | 4.3 (.169) | 6.8 (.268) | 20.2 (.795) | 6.3 (.248) | | | | | | | | | |
| | 8 | 4 | VD2-S4A | FVD2-S4A | | 4.3 (.169) | 7.2 (.284) | 20.8 (.819) | 6.5 (.256) | | | | | | | | | |
| | 8 | 4 | VD2-4A | FVD2-4A | | 4.3 (.169) | 8.5 (.335) | 21.6 (.850) | 7.3 (.287) | | | | | | | | | |
| | 10 | 5 | VD2-M5A | FVD2-M5A | | 5.3 (.209) | 8.5 (.335) | 21.6 (.850) | 7.3 (.287) | | | | | | | | | |
| | 10 | 5 | VD2-5A | FVD2-5A | | 5.3 (.209) | 9.5 (.374) | 21.6 (.850) | 7.3 (.287) | | | | | | | | | |
| | 1/4 | 6 | VD2-6A | FVD2-6A | | 6.4 (.252) | 12.0 (.472) | 26.8 (1.055) | 11.0 (.433) | | | | | | | | | |
| 12 to 10 (2.63 to 6.64) | 5-6 | 3.5 | VD5.5-S3A | FVD5.5-S3A | | 3.7 (.146) | 7.2 (.283) | 26.7 (1.051) | 7.5 (.295) | 14.0 (.551) | 5.7 (.224) | 6.5 (.256) | 1.0 (.039) | Yellow | YNT-1210S YA-4 BCT-0514 | 500 | | |
| | 5-6 | 3.5 | VD5.5-3A | FVD5.5-3A | | 3.7 (.146) | 9.5 (.374) | 26.7 (1.051) | 7.5 (.295) | | | | | | | | | |
| | 8 | 4 | VD5.5-S4A | FVD5.5-S4A | | 4.3 (.169) | 8.5 (.335) | 26.7 (1.051) | 7.5 (.295) | | | | | | | | | |
| | 8 | 4 | VD5.5-4A | FVD5.5-4A | | 4.3 (.169) | 9.5 (.374) | 26.7 (1.051) | 7.5 (.295) | | | | | | | | | |
| | 10 | 5 | VD5.5-5A | FVD5.5-5A | | 5.3 (.209) | 9.5 (.374) | 26.7 (1.051) | 7.5 (.295) | | | | | | | | | |
| | 1/4 | 6 | VD5.5-6A | FVD5.5-6A | | 6.4 (.252) | 13.5 (.532) | 32.7 (1.287) | 12.2 (.480) | | | | | | | | | |
| 5/16 | 8 | VD5.5-8A | FVD5.5-8A | | 8.4 (.331) | 13.5 (.532) | 32.7 (1.287) | 12.2 (.480) | | | | | | | | | | |

Note: 1) The part numbers indicated in the above table are for products with a brazed seam.
 When ordering products with a butted seam, add the prefix "WS" to the part number (ex. VD2-4A → **VDWS2-4A**).
 2) To order products with nylon insulation, change the "V" in the part number prefix to "N" (ex. VD2-4A → **ND2-4A**).
 Because nylon absorbs moisture, care must be taken concerning storage.
 3) Delivery lead times may vary depending on the product. Contact JST for details.