

## 2/2 or 3/2 way direct acting rocker solenoid valve



Type 6126 can be combined with...



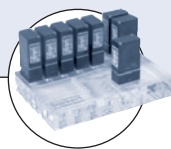
**Type 2506**

Cable plug Form C



**Type 2505**

Rectangular cable plug



**Manifolds**

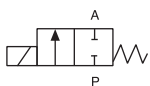
- With isolating diaphragm
- Ultra low dead volume
- High back-pressure tightness
- Normally closed, normally open or universal function
- 16mm width/station

The direct-acting rocker solenoid valve, Type 6126, is suitable for general applications in which compressed air, gases or slightly contaminated liquids are to be switched.

The medium is in contact exclusively with the housing material and the FKM seals. The heat input in the medium is minimal, because the housing is separated from the coil by a stainless steel plate.

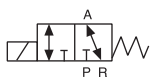
The valves can be mounted directly or also single or manifold mounted. They are used for dosing, filling, mixing and distributing small quantities of medium.

### Circuit function A



2/2-way-valve normally closed

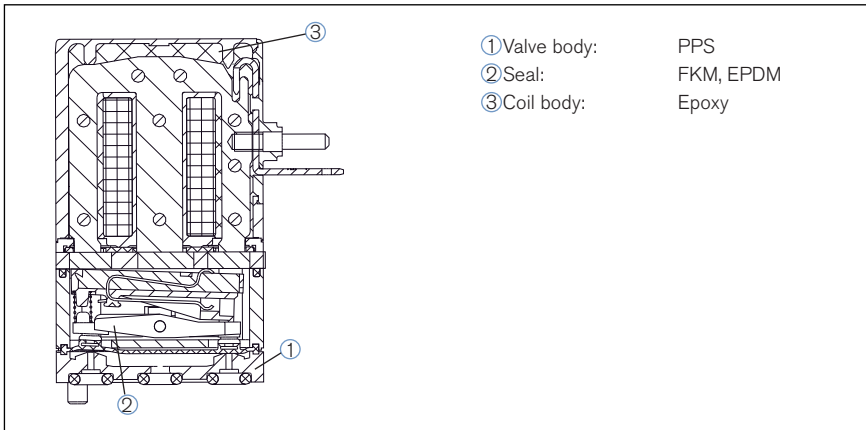
### Circuit function T



3/2-way-valve universal function

Technical data	
<b>Orifice</b>	DN 0.8 mm, other orifices on request
<b>Body material</b>	PPS
<b>Seal material</b>	FKM, EPDM
<b>Medium</b>	Resistant to neutral liquids and gases, see Bürkert chemical resistance chart
<b>Medium temperature</b>	DN 0.8 FKM = 0 to +50 °C DN 0.8 EPDM = -10 to +50 °C DN 1.2 & 1.6 FKM/EPDM = +10 to +50 °C
<b>Ambient temperature</b>	Max +55 °C
<b>Viscosity</b>	Max 21mm <sup>2</sup> /S
<b>Internal volume</b>	Depending on body with sub-base 68 µl on request < 10 µl
<b>Operating temperature</b>	12 and 24V/DC; other Voltages on request
<b>Voltage tolerance</b>	± 10%
<b>Power consumption</b>	3.4 W
<b>Duty cycle</b>	continuous rating 100% ED
<b>Electrical connection</b>	Cable plug Type 2505 Tag connector acc. DIN 43650 C for Cable plug Type 2506 above 2 FEP-Flying leads, AWG24, 500mm long Circular connector and Tag connector to side on request
<b>Protection class</b>	IP 65 with flying leads or cable plug IP 40 with Rectangular plug
<b>Installation</b>	as required, preferably with actuator upright
<b>Response times</b>	acc. ISO 12238:2001; Measured at valve outlet at 2 bar and +20 °C Opening approx 25 ms (Pressure range 0 to 10%) Closing approx 25 ms (Pressure range 100 to 10%)

Materials

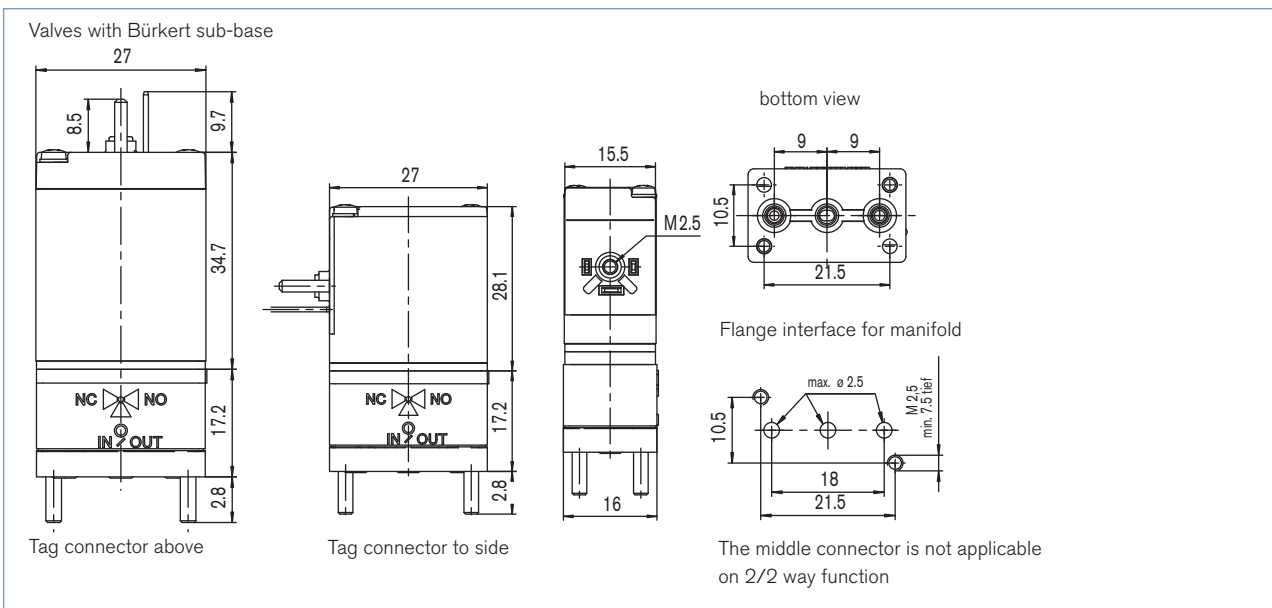


Ordering chart for Typ 6126 (other versions on request)

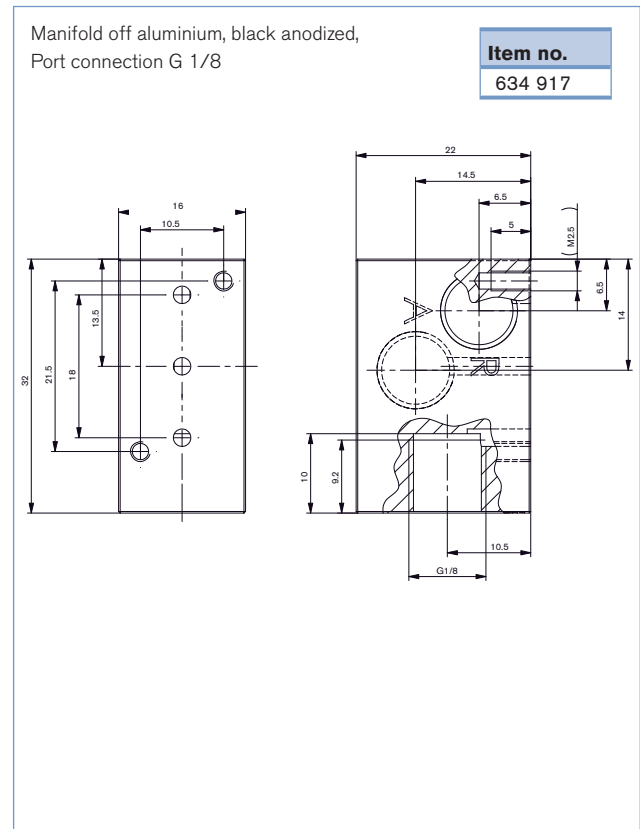
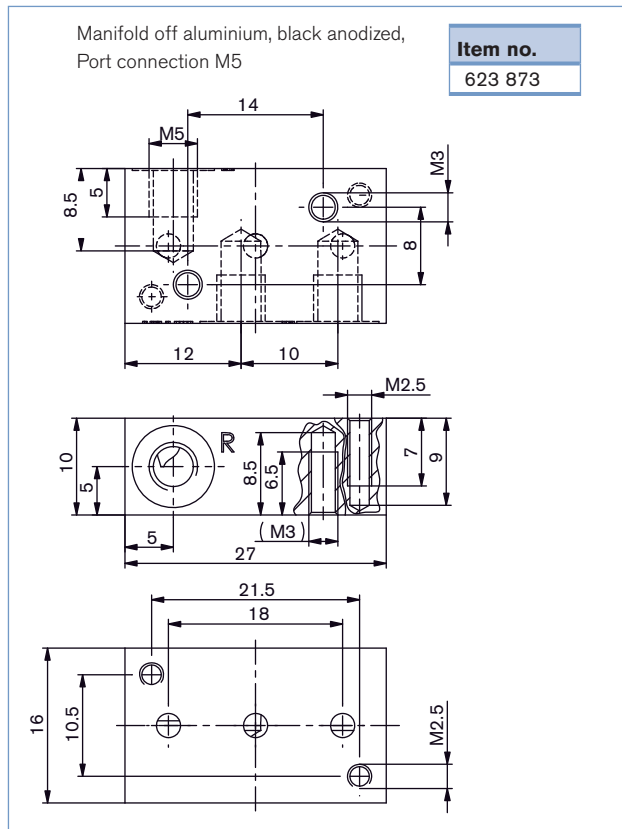
All Valves with Bürkert sub-base, Tag connector without cable plug

Circuit function	Orifice [mm]	Kv value water [m³/h]	Kv value water [l/min]	C <sub>Nn</sub> value air [l/min]	Pressure range [bar]	Seal material	Electrical connection	Voltage/frequency [V/Hz]	Item no.
<b>A</b> 2/2-way-valve NC 	0.8	0.01	0.17	11	Vac 0-6	FKM	Tag connector to side	012/DC	139 151
								024/DC	139 088
							Rectangular plug	024/DC	139 236
							EPDM	Tag connector to side	012/DC
								024/DC	139 155
<b>T</b> 3/2-way valve, universal version 	0.8	0.01	0.17	11	Vac 0-6	FKM	Tag connector to side	012/DC	139 158
								024/DC	139 159
							Rectangular plug	024/DC	139 237
							EPDM	Tag connector to side	012/DC
								024/DC	139 163

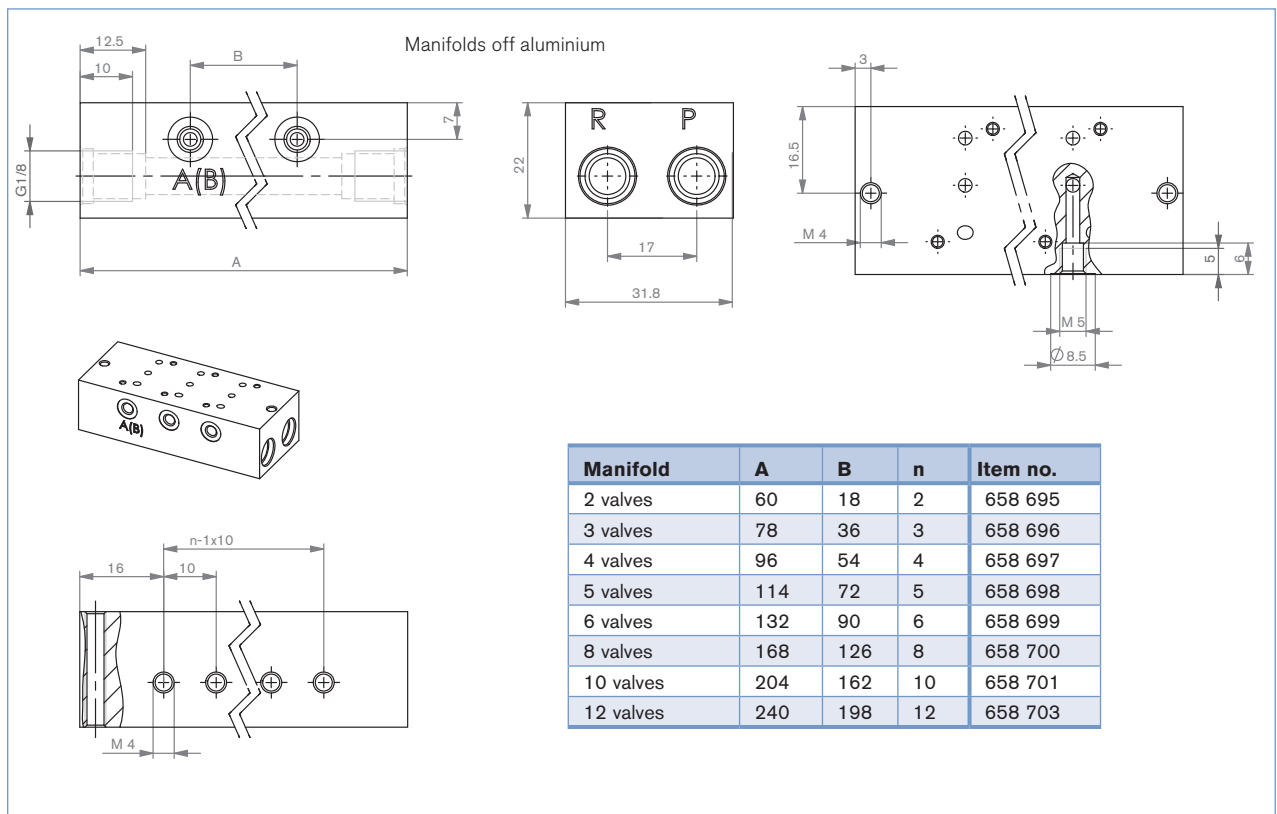
Dimensions [mm]



Single manifold for Bürkert sub-base [mm]



Multiple manifold for Bürkert sub-base 3-way [mm]



Multiple manifold for Bürkert sub-base 2-way [mm]

Manifold off PPS

The technical drawing shows a manifold with dimensions: A (total length), 151.5 (distance between first two valves), 131.5 (distance between last two valves), 3.5 (height), M 4 (thread), 14.5 (valve spacing), B (total width), n-1x16.5 (width between valves), 16.5 (width between valves), 34 (height), 15 (height), G1/8 (thread), 7.9 (height), 9.9 (height), 169.5 (total length), 11 (height), 10 (width), 18 (width), and Ø 4 (hole diameter).

Manifold	A	Item no.
2 valves	43.5	675 628
3 valves	60.0	675 629
4 valves	76.5	675 630
5 valves	93.0	675 631
6 valves	109.5	675 632
7 valves	126.0	675 633
8 valves	142.5	675 634
9 valves	159.0	675 635
10 valves	175.5	675 636

DTS 1000138746 EN Version: - Status: RL (released | freigegeben | valide) printed: 29.08.2013

Valve block with Bürkert sub-base and DIN-rail


The diagram shows a valve block with a mounting kit. The valve block has ports labeled NC, NO, IN, and OUT. The mounting kit is labeled R and P.

mounting kit, complete for standard rail TS35  
x 7.5 mm



Item no.
629 254

## Ordering chart for accessories

Cable plug type 2506 acc. DIN EN 175301-803 Form C, with flat seal and fixing screw, without cable.

	<b>Cable plug Type 2506</b>	<b>Voltage</b>	<b>Item no.</b>
	without circuit	0-250V/UC	008 353
	with LED	12-24V/DC	008 402
	with LED and varistor	12-24V/DC	008 408
	with rectifier, LED and varistor	12-24V/UC	008 354

Cable plug type 2505

	<b>Type 2505 Cable version</b>	<b>Item no.</b>
	with 3m cable	133 486
with 5m cable	167 494	
	<b>Type 2505 Flying leads version</b>	<b>Item no.</b>
	with 300mm	644 068
with 600mm	162 144	

### **i** Further versions on request

- >** **Additional**  
Fittings and tubes (please see type 1013-AA 05)

To find your nearest Bürkert facility, click on the orange box



[www.burkert.com](http://www.burkert.com)

In case of special application conditions,  
please consult for advice.

Subject to alteration.  
© Christian Bürkert GmbH & Co. KG

1004/1\_EU-en\_00891746