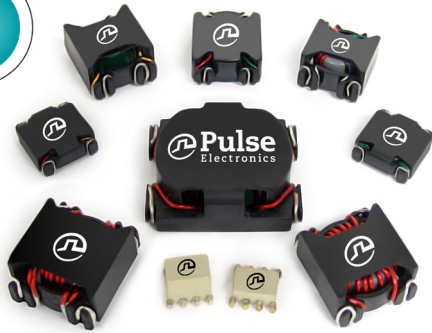


SMT Common Mode Chokes

0.5A to 20Adc



- ⊕ Wide variety of package sizes available
- ⊕ **Current Rating:** 0.5Arms to 20Arms
- ⊕ **Inductances Range:** 61uH to 13.2mH
- ⊕ **Dielectric strength:** 1500Vrms (380Vrms continuous)

Electrical Specifications at 25° C Temp Range -40 ° C to 125 ° C

| Part Number | Irated ¹ (Arms or Adc) | Inductance ⁴ per Winding (uH +/-35%) | DCR per Winding (mΩ Max) | Leakage Inductance ⁵ (uH Min) | Typical SRF (MHz) | Typical Impedance at SRF (Ω) | Platform Name | Package Size (mm Max) | Weight (grms) | Quantity In Tube ³ | Quantity in T&R ² |
|-------------|--------------------------------------|---|-----------------------------|---|-------------------|------------------------------|---------------|-----------------------|---------------|-------------------------------|------------------------------|
| PE-53914NL | 0.5 | 13200* | 850 | - | 0.19 | 6500 | LCCI-37-2 | 16.4 x 14.2 x 8.9 | 2.3 | 30 | 500 |
| PA2742NL | 1 | 397 | 92 | 0.6 | 6 | 1500 | High Shasta | 9.1 x 8.9 x 7.9 | 0.6 | 50 | 400 |
| PE-53913NL | 1 | 6000* | 450 | - | 0.22 | 6000 | LCCI-37-2 | 16.4 x 14.2 x 8.9 | 2.3 | 30 | 500 |
| PA2741NL | 1.1 | 94 | 30 | 0.3 | 15 | 450 | Low Shasta | 9.1 x 8.9 x 3.8 | 0.3 | 60 | 125 |
| P0354NL | 1.22 | 1170 | 200 | 8.3* | 3 | 8200 | Polecat | 12.7 x 12.7 x 8.4 | 1.4 | 40 | 500 |
| PA2752NL | 1.4 | 1010 | 210 | 25 | 4 | 27500 | LCCI-50-1 | 19.6 x 17.0 x 9.9 | 4.5 | 30 | 200 |
| PE-53911NL | 1.5 | 900* | 60 | - | 3 | 2800 | LCCI-37-2 | 16.4 x 14.2 x 8.9 | 2.4 | 30 | 500 |
| P0473NL | 1.63 | 880 | 110 | 6.0* | 4 | 6750 | Polecat | 12.7 x 12.7 x 8.4 | 1.4 | 40 | 500 |
| PA2748NL | 1.8 | 1125 | 55 | 3 | 4 | 3200 | Polecat | 12.7 x 13.2 x 5.6 | 1.6 | 40 | 500 |
| PE-53912NL | 2.5 | 1800* | 80 | - | 2 | 5000 | LCCI-50-3 | 19.6 x 17.0 x 9.9 | 4.9 | 30 | 200 |
| P0351NL | 2.8 | 1470 | 80 | 11.3* | 2 | 10700 | LCCI-50-1 | 19.6 x 17.0 x 9.9 | 4.3 | 30 | 200 |
| PA3927NL | 3 | 800 | 27 | 1.5 | 20 | 1300 | Polecat | 13.0 x 13.0 x 8.6 | 2.4 | 40 | 500 |
| P0420NL | 3.3 | 1320 | 60 | 8.5* | 2.5 | 9600 | LCCI-50-1 | 19.6 x 17.0 x 9.9 | 4.5 | 30 | 200 |
| P0421NL | 3.3 | 220 | 60 | 9.8* | 18 | 10500 | LCCI-50-1 | 19.6 x 17.0 x 9.9 | 4.7 | 30 | 200 |
| PA2743NL | 3.3 | 383 | 18 | 1 | 2.5 | 1400 | Polecat | 13.0 x 13.0 x 5.6 | 1.7 | 40 | 500 |
| PE-53910NL | 3.6 | 600* | 50 | - | 8 | 1800 | LCCI-50-3 | 19.6 x 17.0 x 9.9 | 5.0 | 30 | 200 |
| PA2749NL | 3.8 | 536 | 17.1 | 1.2 | 2 | 1400 | LCCI-37-1 | 16.4 x 14.2 x 8.9 | 2.5 | 30 | 500 |
| PA2744NL | 4 | 280 | 13.2 | 0.7 | 2 | 1000 | Polecat | 13.0 x 13.0 x 5.6 | 1.6 | 40 | 500 |
| PA2751NL | 4.2 | 486 | 16 | 1 | 2 | 1800 | LCCI-44LP | 18.2 x 15.0 x 7.6 | 3 | 35 | 300 |
| P0422NL | 4.7 | 770 | 40 | 5.2* | 3 | 6400 | LCCI-50-1 | 19.6 x 17.0 x 9.9 | 4.7 | 30 | 200 |
| PA2745NL | 5 | 130 | 6.75 | 0.4 | 3 | 500 | Polecat | 13.2 x 13.2 x 5.6 | 1.6 | 40 | 500 |
| P0353NL | 5.6 | 590 | 21 | 4.5* | 4 | 4900 | LCCI-50-1 | 19.6 x 17.0 x 9.9 | 5 | 30 | 200 |
| PA2746NL | 6 | 96 | 4.3 | 0.25 | 4 | 350 | Polecat | 13.2 x 13.2 x 5.6 | 1.7 | 40 | 500 |
| PA2750NL | 6 | 400 | 9.4 | 1.25 | 9 | 900 | LCCI-44 | 18.2 x 15.0 x 10.0 | 3.5 | 30 | 200 |
| PA2747NL | 7 | 61 | 2.9 | 0.15 | 4 | 200 | Polecat | 13.5 x 13.5 x 5.6 | 1.7 | 40 | 500 |
| P0527NL | 7.2 | 530 | 15 | 5.1* | 4 | 3100 | HCCI-68 | 28.2 x 25.4 x 10.0 | 7.3 | 20 | 100 |

SMT Common Mode Chokes

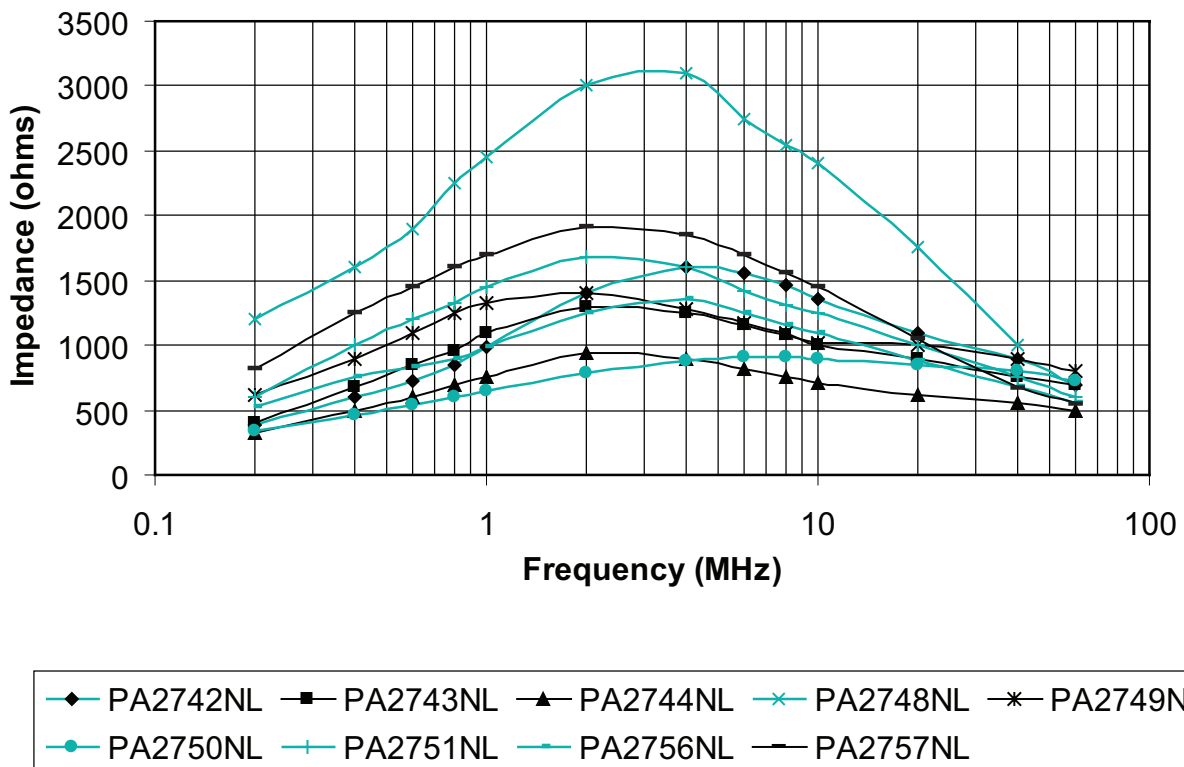
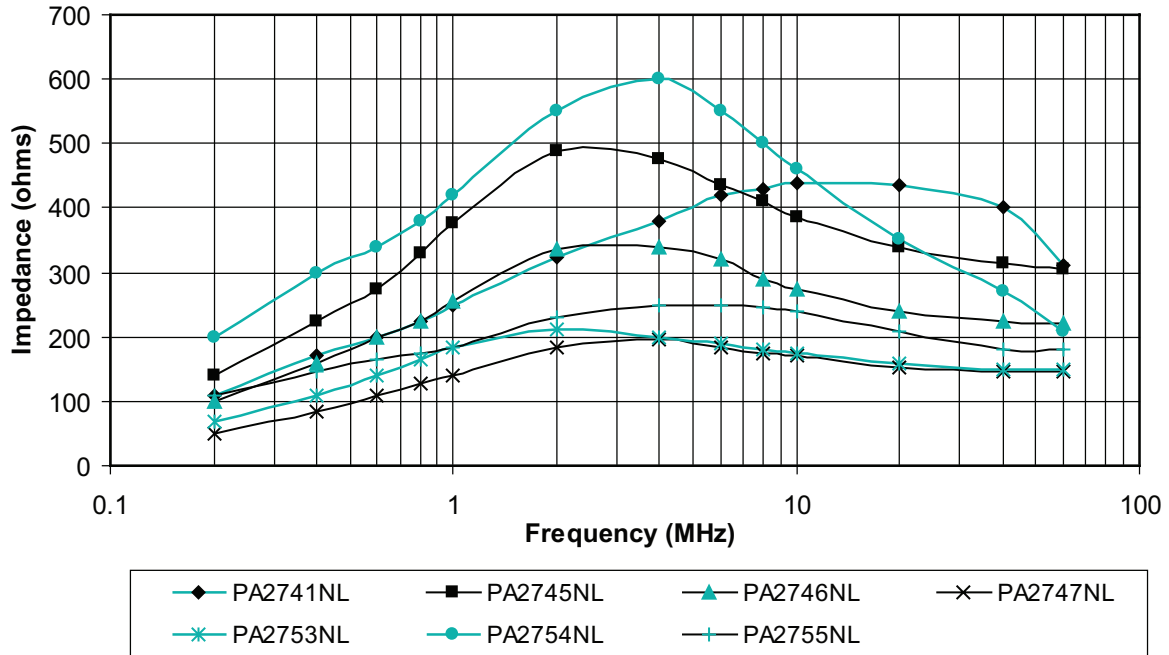
0.5A to 20Adc

| Part Number | Irated ¹ (Arms or Adc) | Inductance ⁴ per Winding (uH +/-35%) | DCR per Winding (mΩ Max) | Leakage Inductance ⁵ (uH Min)) | Typical SRF (MHz) | Typical Impedance at SRF (Ω) | Platform Name | Package Size (mm Max) | Weight (grms) | Quantity In Tube ³ | Quantity in T&R ³ |
|-------------|--------------------------------------|---|-----------------------------|--|-------------------|------------------------------|---------------|-----------------------|---------------|-------------------------------|------------------------------|
| PA2756NL | 8 | 484 | 7.7 | 1.5 | 2.5 | 1700 | LCCI-50-2 | 19.6 x 17.0 x 9.9 | 4.7 | 30 | 200 |
| PA2757NL | 9 | 1030 | 9.75 | 3 | 2.5 | 1900 | HCCI-80-1 | 31.0 x 25.4 x 12.7 | 14.6 | 20 | 75 |
| P0429NL | 9.7 | 810 | 14 | 9.1* | 3 | 6400 | HCCI-80-2 | 31.0 x 25.4 x 12.7 | 15.2 | 20 | 75 |
| PA2754NL | 10 | 215 | 3.75 | 0.5 | 4 | 600 | Makeni | 21.1 x 19.1 x 11.2 | 6.2 | 25 | 150 |
| P0469NL | 11.6 | 630 | 10 | 7.4* | 4 | 4900 | HCCI-80-2 | 31.0 x 25.4 x 12.7 | 15.2 | 20 | 75 |
| PA2753NL | 12.5 | 95 | 3 | 0.15 | 2 | 200 | LCCI-50-2 | 19.6 x 17.0 x 9.9 | 4.2 | 30 | 200 |
| P0502NL | 14 | 470 | 8 | 5.3* | 3 | 3750 | HCCI-80-2 | 31.0 x 25.4 x 12.7 | 16.2 | 20 | 75 |
| PA2755NL | 14 | 117 | 1.95 | 0.3 | 6 | 250 | Makeni | 21.1 x 19.1 x 11.2 | 4.8 | 25 | 150 |
| PA2670NL | 16 | 500 | 4.25 | 1.5 | 4 | 1000 | HCCI-80-2 | 31.0 x 25.4 x 12.7 | 17.8 | 20 | 75 |
| PG1265NL | 20 | 380 | 4.1 | 1.2 | 1 | 900 | HCCI-80-2 | 31.0 x 25.4 x 12.7 | 14.5 | 20 | 75 |

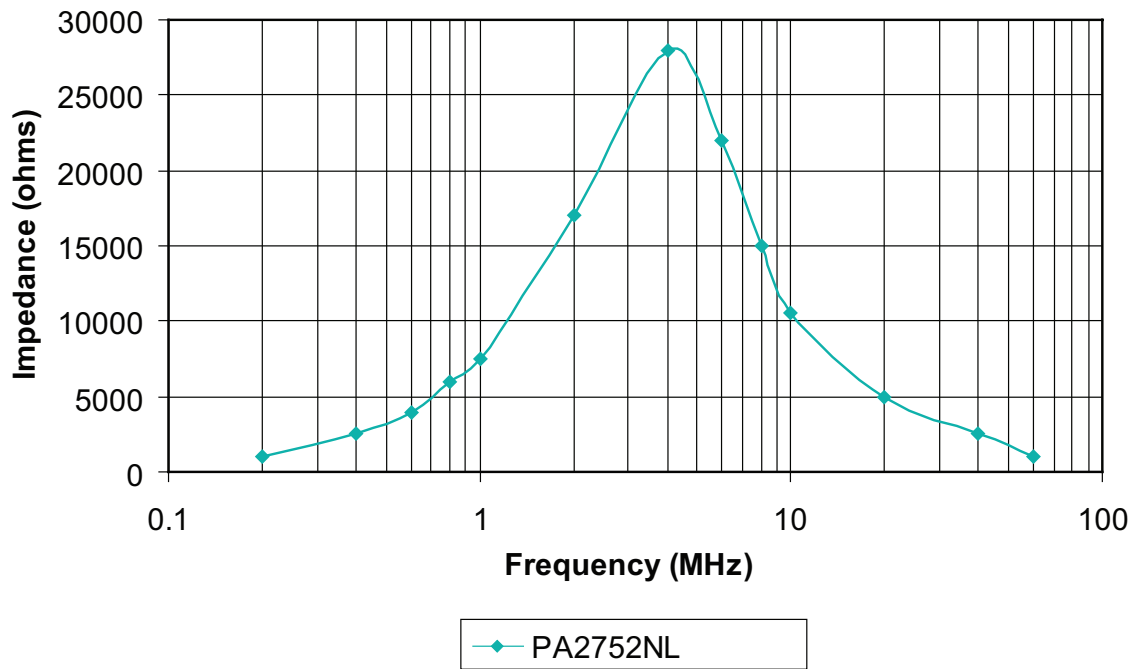
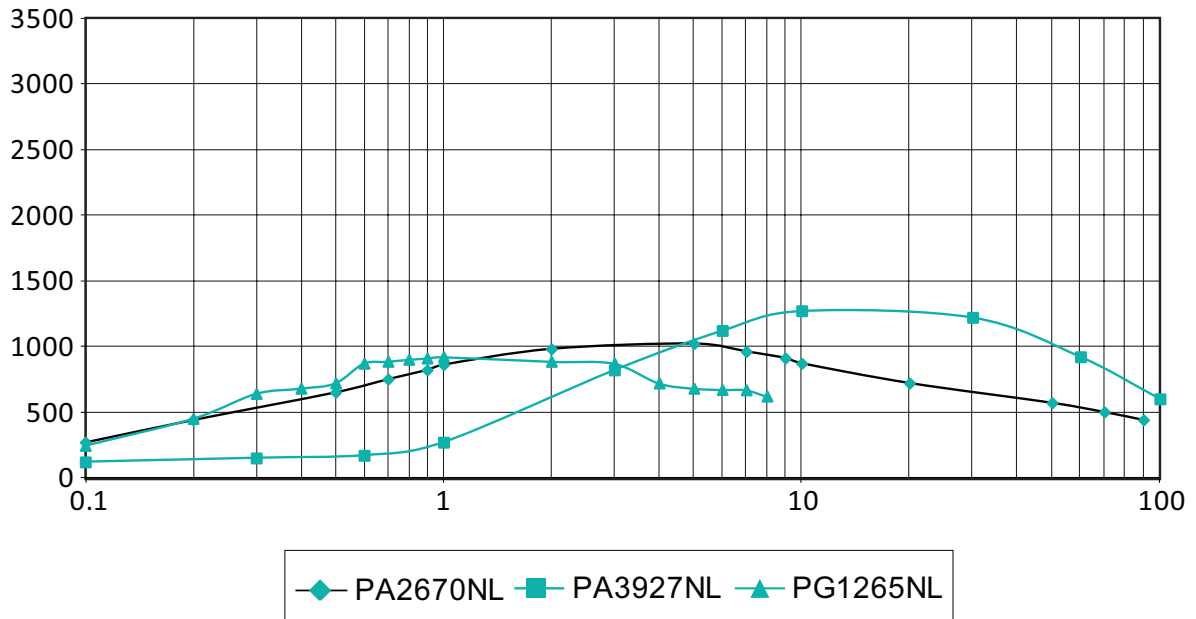
NOTE:

1. The current rating (Irated) is based upon the temperature rise of the component and represents the rms current which will cause a typical temperature rise of 55C with 50LFM forced cooling
2. The temperature of the component (ambient plus temperature rise) must be within the stated operating temperature range.
3. Optional Tape & Reel packaging can be ordered by adding a "T" suffix to the part number (i.e. PA2741NL becomes PA2741NLT). Pulse complies to industry standard tape and reel specification EIA481.
4. Inductance values shown are all nominal +/- 35% except those identified with an asterisk (*) which indicates that the inductance is a minimum value.
5. Leakage inductance values as shown are the minimum value except those identified with an asterisk (*) which indicates the value shown in a typical value.

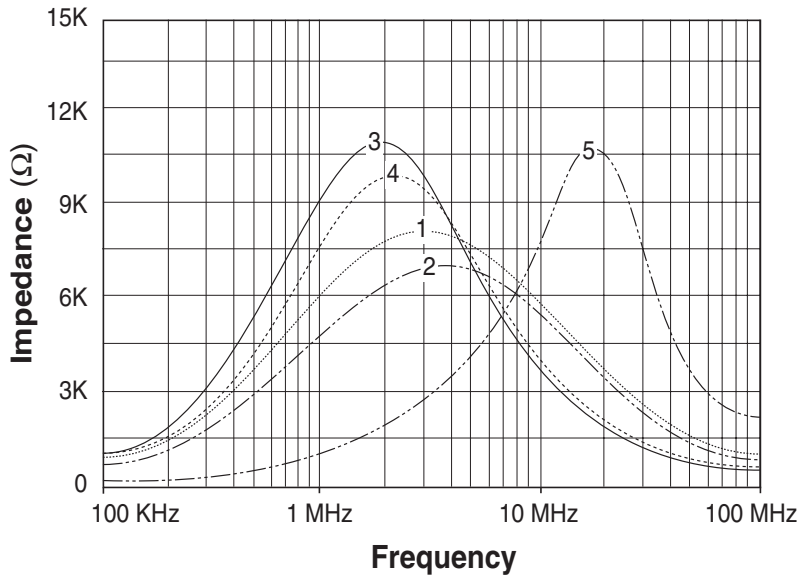
Impedance Plots



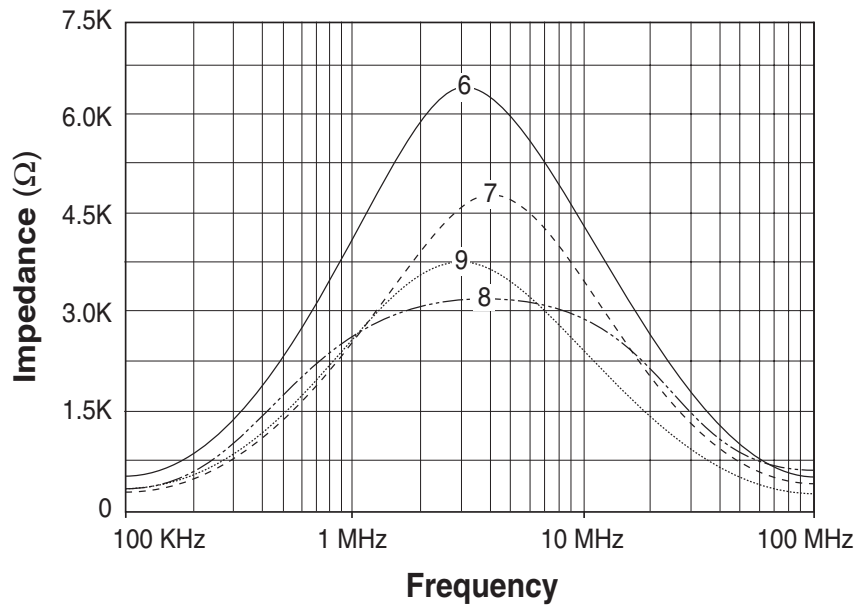
Impedance Plots



Impedance Plots

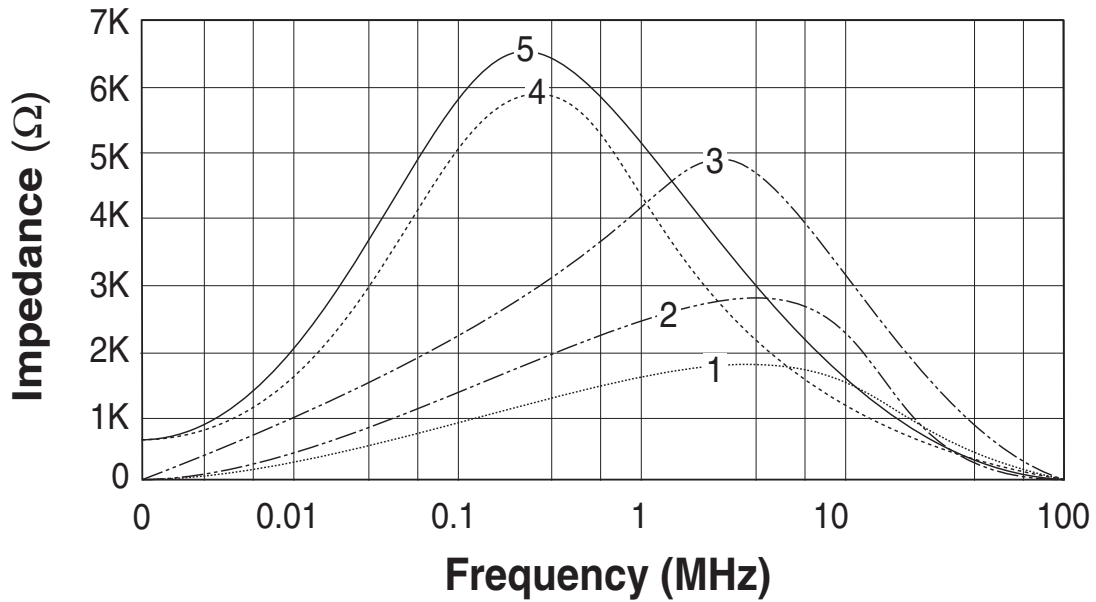


| | | |
|-------------|-------------|-------------|
| 1 - PO354NL | 3 - PO351NL | 5 - PO421NL |
| 2 - PO473NL | 4 - PO420NL | |



| | |
|----------------------|-------------|
| 6 - PO422NL, PO429NL | 8 - PO527NL |
| 7 - PO353NL, PO469NL | 9 - PO502NL |

Impedance Plots



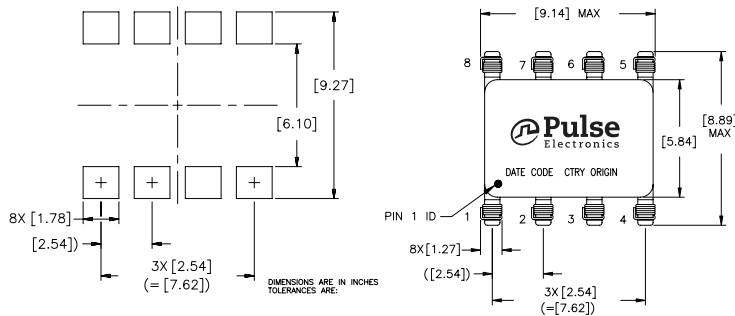
| | | |
|----------------|----------------|----------------|
| 1 - PE-53910NL | 3 - PE-53912NL | 5 - PE-53914NL |
| 2 - PE-53911NL | 4 - PE-53913NL | |

SMT Common Mode Chokes

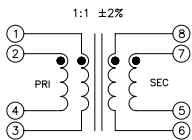
0.5A to 20Adc

Mechanicals

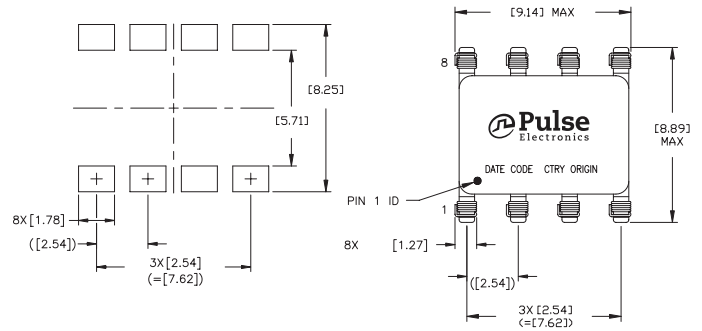
Low Shasta - PA2741NL



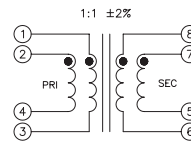
Schematic



High Shasta - PA2742NL

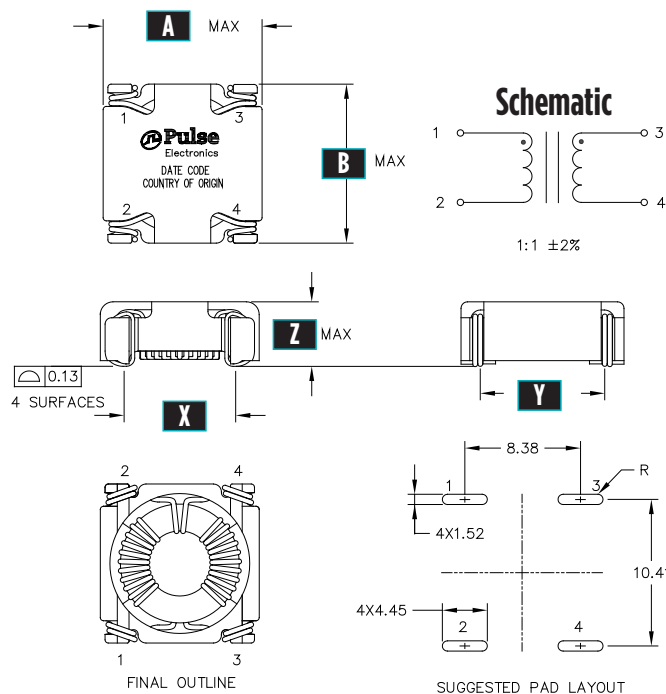


Schematic



Please note that for PA2741NL and PA2742NL the part should be connected as follows:
Customer to connect pins (1,2) and (4,3) together on board to form a single winding (1,2-4,3).
Customer to connect pins (8,7) and (5,6) together on board to form a single winding (8,7-5,6).
All ratings (leakage and DCR) are with respect to the above winding configuration.

PoleCat - PA2743NL, PA2744NL, PA2745NL, PA2746NL, PA2747NL, PA2748NL, PA3927NL, P0473NL, and P0354NL



Polecat Dimensions

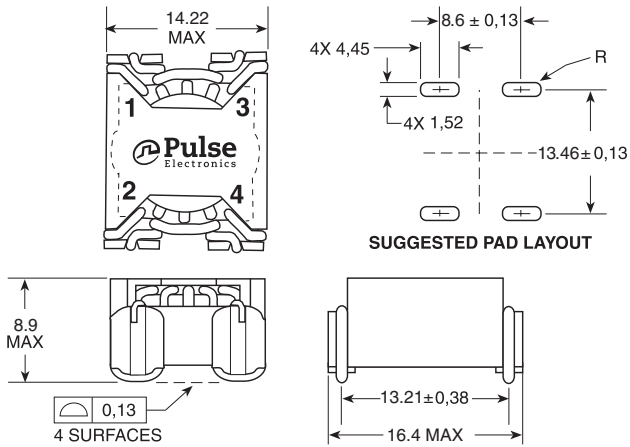
| Part Number | A | B | X | Y | Z |
|-------------|------|------|-----|------|-----|
| PA2743NL | 13.0 | 13.0 | 8.4 | 10.4 | 5.6 |
| PA2744NL | 13.0 | 13.0 | 8.4 | 10.4 | 5.6 |
| PA2745NL | 13.2 | 13.2 | 8.6 | 10.7 | 5.6 |
| PA2746NL | 13.2 | 13.2 | 8.6 | 10.7 | 5.6 |
| PA2747NL | 13.5 | 13.5 | 8.6 | 10.7 | 5.6 |
| PA2748NL | 12.7 | 13.2 | 8.4 | 10.4 | 5.6 |
| PA3927NL | 13.0 | 13.0 | 8.4 | 10.4 | 8.6 |
| PA473NL | 12.7 | 12.7 | 8.4 | 10.4 | 5.5 |
| PA0354NL | 12.7 | 12.7 | 8.4 | 10.4 | 5.5 |

SMT Common Mode Chokes

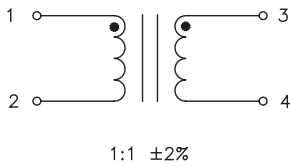
0.5A to 20Adc

Mechanicals

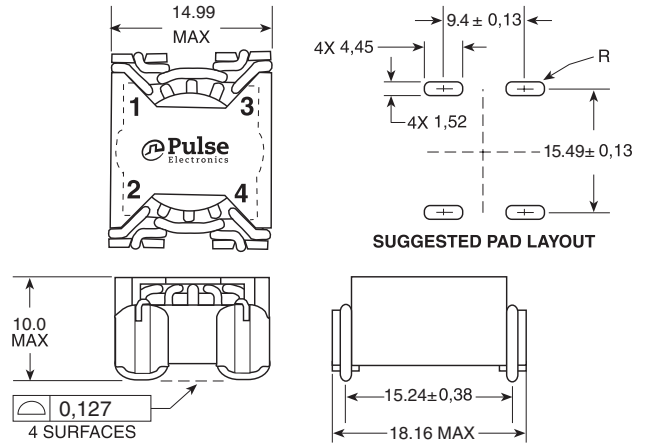
LCCI-37-1 - PA2749NL



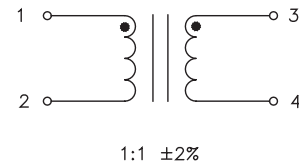
Schematic



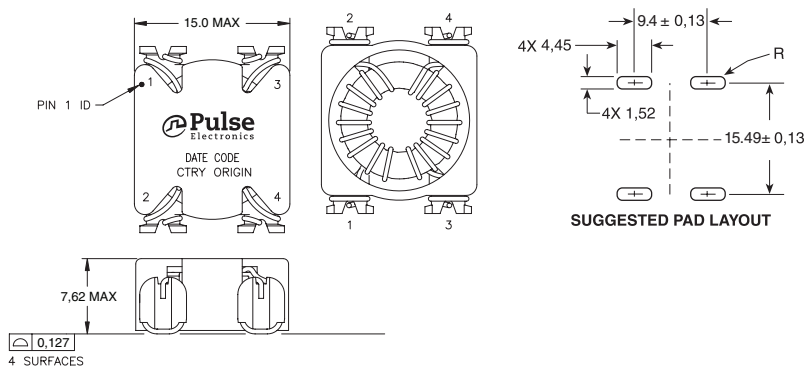
LCCI-44 - PA2750NL



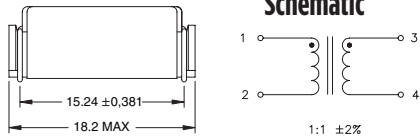
Schematic



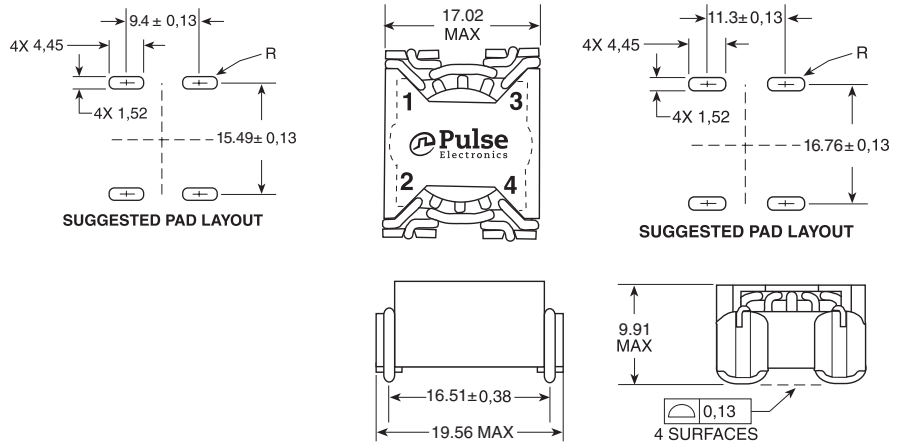
LCCI-44LP - PA2751NL



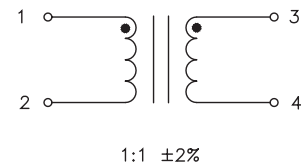
Schematic



LCCI-50-1 - PA2752NL, P0353NL, P0422NL, P0421NL, P0420NL, P0351NL



Schematic



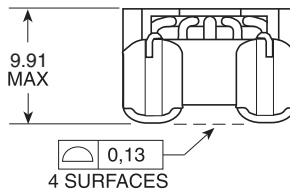
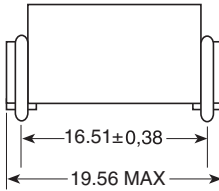
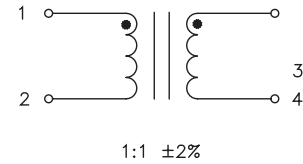
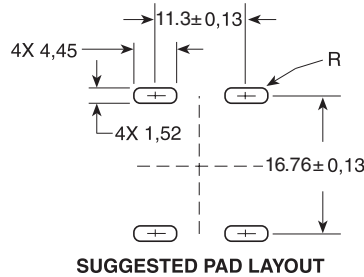
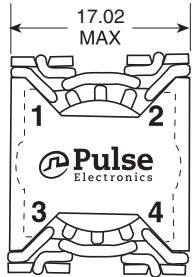
SMT Common Mode Chokes

0.5A to 20Adc

Mechanicals

Schematics

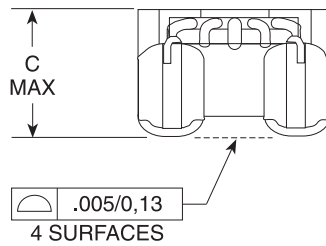
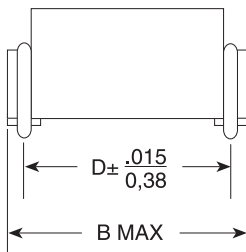
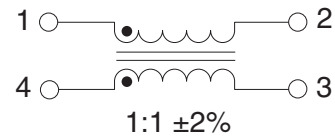
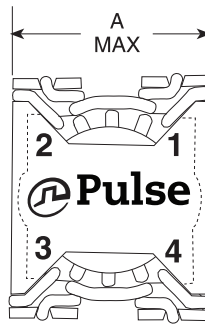
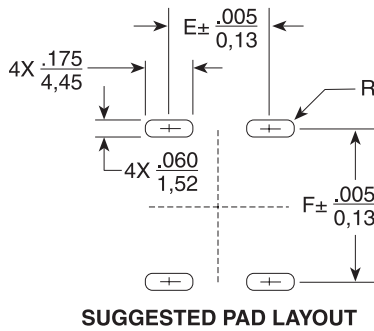
LCCI-50-2 - PA2753NL and PA2756NL



Mechanicals

Schematics

LCCI-37-2 & LCCI-50-3 - PE-5391xNL



| Size | A | B | C | D | E | F |
|-----------|------------|------------|-----------|------------|------------|------------|
| LCCI-37-2 | .560/14,22 | .645/16,38 | .350/8,89 | .520/13,21 | .340/8,64 | .530/13,46 |
| LCCI-50-3 | .670/17,02 | .770/19,56 | .390/9,90 | .650/16,51 | .445/11,30 | .660/16,76 |

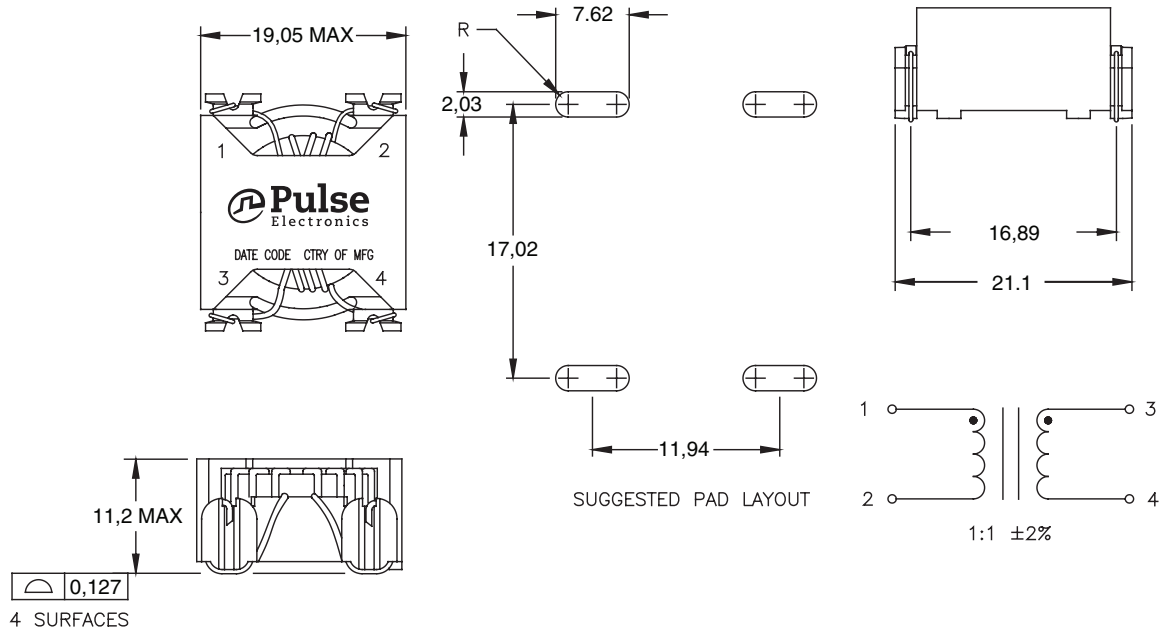
SMT Common Mode Chokes

0.5A to 20Adc

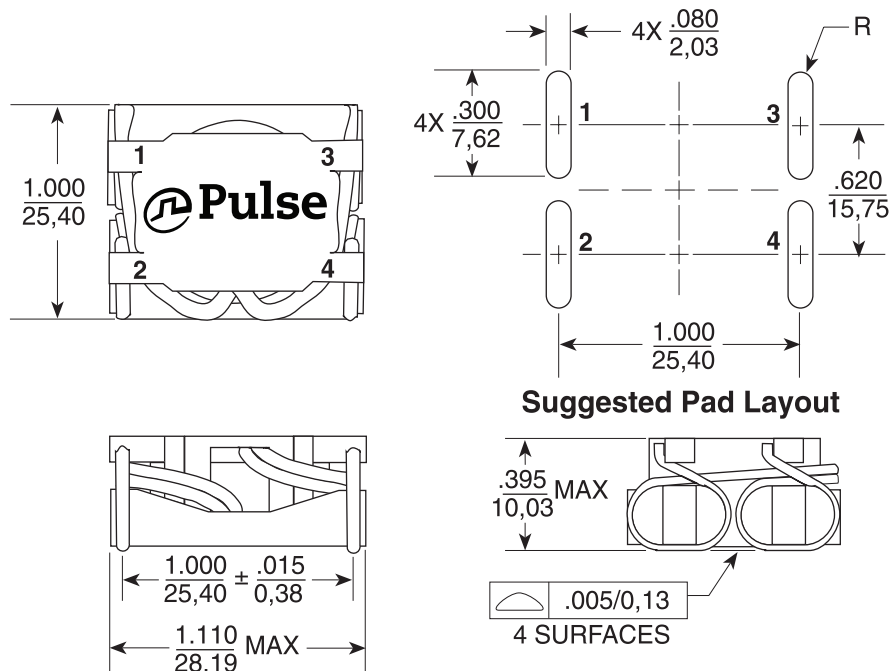
Mechanicals

Schematics

Makeni - PA2754NL, PA2755NL



HCCI-68 - P0527NL



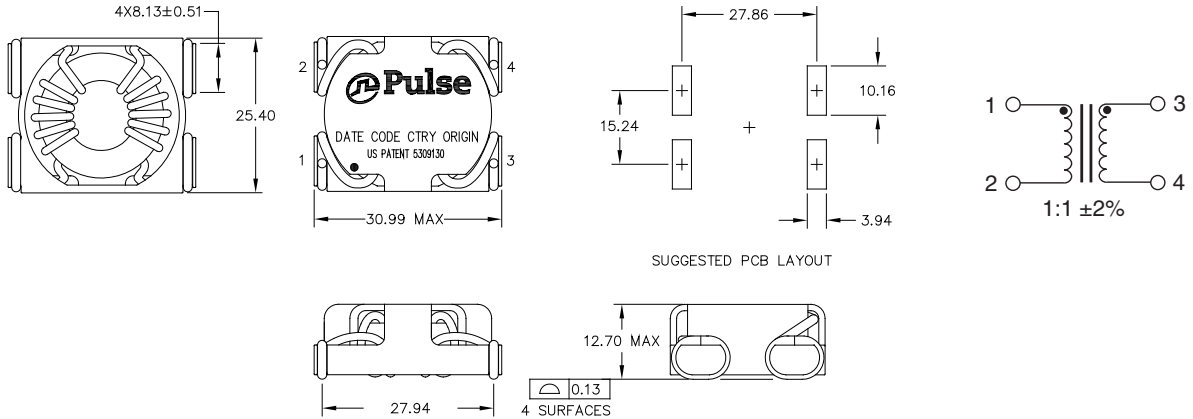
SMT Common Mode Chokes

1.0A to 20.0A

Mechanical

Schematic

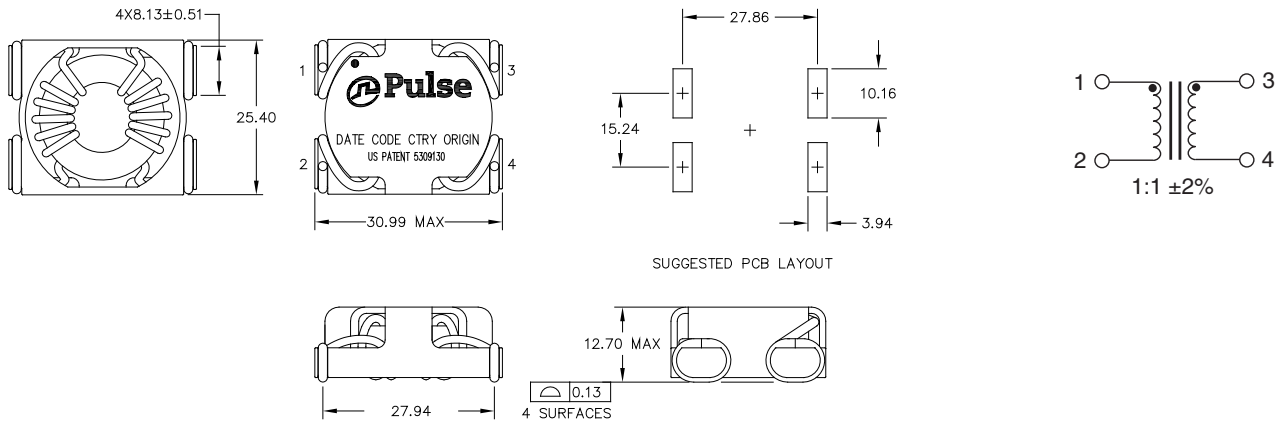
HCCI-80-1 - PA2757NL



Mechanical

Schematic

HCCI-80-2 - PA2670NL, PG1265NL, P0502NL, P0469NL and P0429NL



For More Information:

Americas - prodinfo_power@pulseelectronics.com | Europe - power-apps-europe@pulseelectronics.com | Asia - power-apps-asia@pulseelectronics.com

Performance warranty of products offered on this data sheet is limited to the parameters specified. Data is subject to change without notice. Other brand and product names mentioned herein may be trademarks or registered trademarks of their respective owners. © Copyright, 2021. Pulse Electronics, Inc. All rights reserved.