

# Panel Potentiometer

## Model P231



### Features:

- 24 mm rotary
- Conductive plastic element
- 100,000 cycle life
- Metal shaft / bushing



## Model Styles Available

Side Adjust , Solder Lugs

P231

### Electrical

Resistance Range, Ohms	500-1M
Standard Resistance Tolerance	± 20%
Residual Resistance	20 ohms max.
Input Voltage, maximum	500 Vac max.
Power rating, Watts	0.5W- B taper, 0.25W-others
Dielectric Strength	500Vac, 1 minute
Insulation Resistance, Minimum	100M ohms at 250Vdc
Sliding Noise	100mV max.
Actual Electrical Travel, Nominal	260°

### Mechanical

Total Mechanical Travel	300°± 10°
Static Stop Strength	70 oz-in
Rotational Torque	0.5 to 1.25 oz-in

### Environmental

Operating Temperature Range	-20°C to +70°C
Rotational Life	100,000 cycles

#### General Note

TT Electronics reserves the right to make changes in product specification without notice or liability. All information is subject to TT Electronics' own data and is considered accurate at time of going to print.

© TT electronics plc

TT Electronics | BI Technologies  
413 Rood RD, Suite 7  
Calexico, CA 92231  
Ph: +1 714 447 2345  
[www.ttelectronics.com/bi-technologies](http://www.ttelectronics.com/bi-technologies)

### Ordering



### Shaft Types



### Shaft Position (F-Type Shaft)

Dashed lines on Type "C" and Type "A" shows position of adjustment slot for E-Type and Q-Type shafts



### STANDARD RESISTANCE VALUES, OHMS

500	1K	2K	5K	10K	20K	50K	100K	200K	500K	1MEG
-----	----	----	----	-----	-----	-----	------	------	------	------

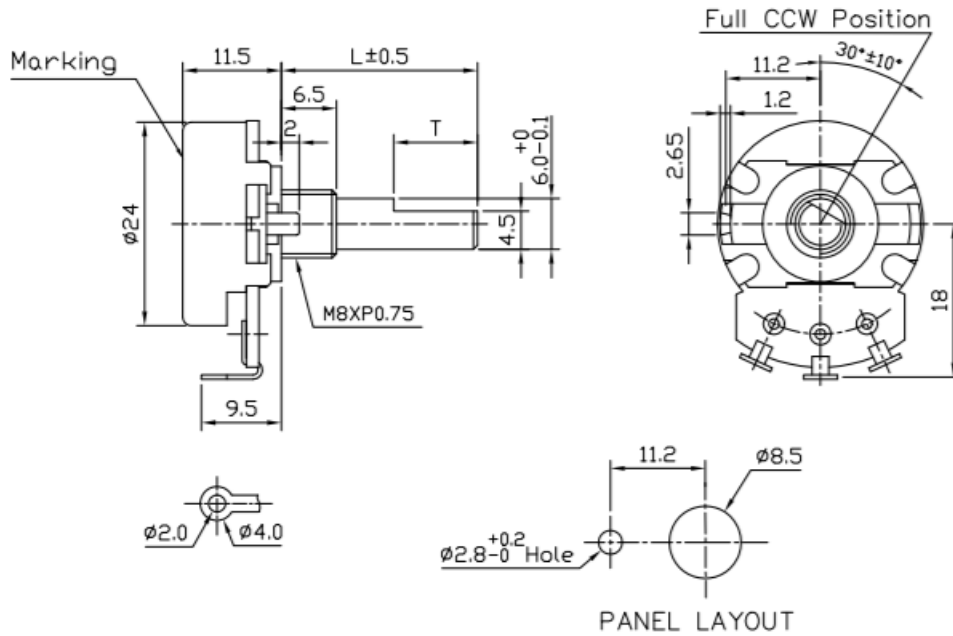
General Note  
 TT Electronics reserves the right to make changes in product specification without notice or liability. All information is subject to TT Electronics' own data and is considered accurate at time of going to print.

# Panel Potentiometer

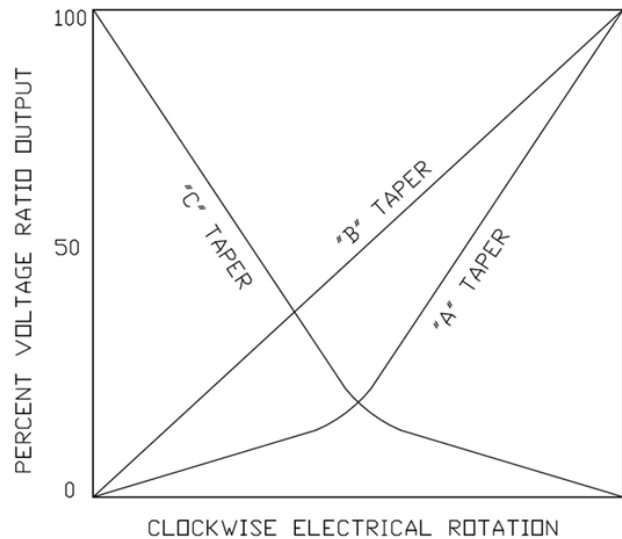
## Model P231



### Outline Drawings



### CIRCUIT DIAGRAM



General Note  
 TT Electronics reserves the right to make changes in product specification without notice or liability. All information is subject to TT Electronics' own data and is considered accurate at time of going to print.

© TT electronics plc

TT Electronics | BI Technologies  
 413 Rood RD, Suite 7  
 Calexico, CA 92231  
 Ph: +1 714 447 2345  
[www.ttelectronics.com/bi-technologies](http://www.ttelectronics.com/bi-technologies)

# Mouser Electronics

Authorized Distributor

Click to View Pricing, Inventory, Delivery & Lifecycle Information:

## TT Electronics:

[P231-QC15AR10K](#) [P231-QC20AR100K](#) [P231-FA25BR50K](#) [P231-FC15AR1K](#) [P231-QC15BR5K](#) [P231-FC20AR100K](#) [P231-QC15BR10K](#) [P231-FC20BR10K](#) [P231-EC35BR5K](#) [P231-FD20BR10K](#) [P231-FD20BR1K](#) [P231-QC20AR10K](#) [P231-EC20AR500K](#) [P231-EC30BR500K](#) [P231-EC30BR1MEG](#) [P231-EC30AR500K](#) [P231-EC15BR1K](#) [P231-SC3RBR5K](#) [P231-Q20BR5K](#) [P231-EC30BR250K](#) [P231-FB35BR10K](#) [P231-EC20BR5K](#) [P231-EC30AR1MEG](#) [P231-EC30CR1MEG](#) [P231-FC35BR10K](#) [P231-EC3RBR5K](#) [P231-EC15BR5K](#) [P231-FC15A10K](#) [P231-EC20BR100K](#) [P231-QC25AR50K](#) [P231-QC20AR20K](#) [P231-EC20BR1K](#) [P231-QC20BR500K](#) [P231-QC20AR250K](#) [P231-EC15AR5K](#) [P231-FC15AR10K](#) [P231-QC20BR10K](#) [P231-EC20AR5K](#) [P231-QC15AR250K](#) [P231-EC30AR100K](#) [P231-EC15AR250K](#) [P231-QC20AR1MEG](#) [P231-EC30BR50K](#) [P231-QC20BR25K](#) [P231-QC15BR250K](#) [P231-EC20CR1MEG](#) [P231-QC15CR1MEG](#) [P231-QC15BR500K](#) [P231-FC15BR10K](#) [P231-EC30AR250K](#) [P231-QC20BR250K](#) [P231-QC20BR100K](#) [P231-EC15AR1MEG](#) [P231-EC30BR10K](#) [P231-FA20BR5K](#) [P231-QC20CR1MEG](#) [P231-QC20AR25K](#) [P231-EC15BR250K](#) [P231-EC30BR25K](#) [P231-EC15BR10K](#) [P231-QC20AR500K](#) [P231-EC15AR10K](#) [P231-EC30BR100K](#) [P231-EC30AR25K](#) [P231-EC30CR3MEG](#) [P231-EC20AR1MEG](#) [P231-EA15AR250K](#) [P231-EA15BR25K](#) [P231-EA15AR50K](#) [P231-EC20BR10K](#)