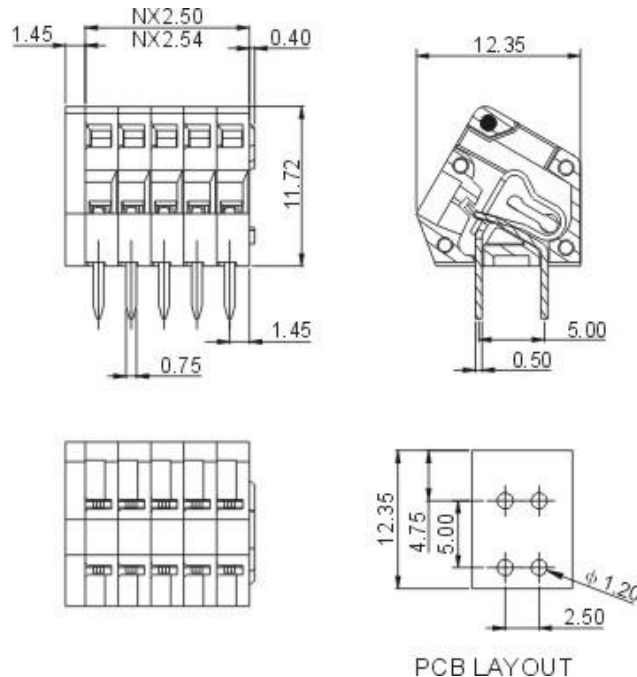




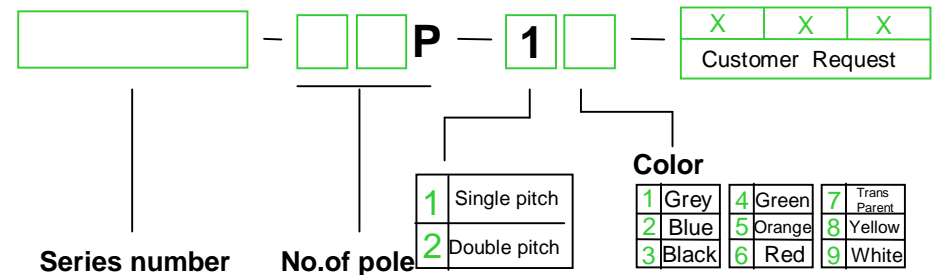
DEGSON ELECTRONICS CO., LTD.

Product Specification



Approval		
Electrical		
Standard	UL	IEC
Rated voltage	150V	130V
Rated current	4A	6A
Wire range	28-20AWG	0.2-0.5mm ²
Withstanding voltage	AC1250V/1Min	
Mechanical		
Ambient temperature	-40℃~+105℃	
Strip length	5-6mm	
Dimensions		
Pitch	2.5mm(.098") 2.54 (.100")	
Poles	1P-XXP	
Material		
Housing	PA66,UL94V-0	
Pin header	Phosphor bronze,Tin plated	
Wire guard	Stainless steel	

HOW TO ORDER :



	DEGSON ELECTRONICS CO., LTD.
	NAME DG240W-2.5, DG240W-2.54