

Resistance thermometer measuring transducer - MINI MCR-SL-PT100-UI-NC



2864273

<https://www.phoenixcontact.com/us/products/2864273>

Please be informed that the data shown in this PDF document is generated from our Online Catalog. Please find the complete data in the user documentation. Our General Terms of Use for Downloads are valid.



MCR temperature transducer for Pt 100 temperature sensors, configured via DIP switch, with screw connection, not pre-configured

Product Description

The narrow 6.2 mm MINI MCR-SL-PT100-UI... is a configurable, 3-way isolated temperature transducer. It is suitable for connecting Pt 100 resistance temperature detectors in accordance with IEC 60751 in 2-, 3-, and 4-conductor connection technology.

Electrically isolated 0 ... 20 mA, 4 ... 20 mA, 0 ... 10 V, 0 ... 5 V, 1 ... 5 V, 10 ... 0 V, 20 ... 0 mA or 20 ... 4 mA standard analog signals are available on the output side.

The DIP switches, which can be accessed on the side of the housing, are used to configure the following parameters:

- Connection technology
- Temperature range to be measured
- Output signal
- Type of error evaluation

Power (19.2 V DC to 30 V DC) can either be supplied via the connection terminal blocks of the modules or in conjunction with the DIN rail connector.

Your advantages

- Power supply possible via the foot element (TBUS)
- For 2-, 3-, 4-conductor Pt 100 sensors in accordance with IEC 60751
- Error indication via diagnostic LED and analog signal
- Input and output signals can be configured via DIP switches
- Highly-compact temperature transducer for electrical isolation, conversion, amplification, and filtering of
- 3-way isolation
- Pt 100 signals to create standard signals
- Temperature measuring range of -150°C to +850°C

Commercial Data

Item number	2864273
Packing unit	1 pc
Minimum order quantity	1 pc
Sales Key	C01
Product Key	CK1221
Catalog Page	Page 105 (C-7-2015)
GTIN	4017918956561
Weight per Piece (including packing)	99.6 g

Resistance thermometer measuring transducer - MINI MCR-SL-PT100-UI-NC



2864273

<https://www.phoenixcontact.com/us/products/2864273>

Weight per Piece (excluding packing)	99.2 g
Customs tariff number	85437090
Country of origin	DE

Resistance thermometer measuring transducer - MINI MCR-SL-PT100-UI-NC



2864273

<https://www.phoenixcontact.com/us/products/2864273>

Technical Data

Notes

Utilization restriction

EMC note	EMC: class A product, see manufacturer's declaration in the download area
----------	---

Product properties

Product type	Temperature transmitter
No. of channels	1
Configuration	DIP switches

Insulation characteristics

Overvoltage category	II
Pollution degree	2

Electrical properties

No. of channels	1
Electrical isolation	3-way isolation
Maximum power dissipation for nominal condition	235.5 mW
Protective circuit	Transient protection
Step response (0–99%)	< 160 ms
Maximum temperature coefficient	< 0.02 %/K
Transmission error in the set measuring range	$((100 \text{ K} / \text{set measurement range [K]}) + 0.1)\%$
Transmission error in the full measuring range	≤ 0,2 %

Electrical isolation Input/output/power supply

Rated insulation voltage	50 V AC/DC
Test voltage	1.5 kV AC (50 Hz, 60 s)
Insulation	Basic insulation in accordance with IEC/EN 61010

Supply

Nominal supply voltage	24 V DC
Supply voltage range	19.2 V DC ... 30 V DC (The DIN rail connector (ME 6,2 TBUS-2 1,5/5-ST-3,81 GN, item no. 2869728) can be used to bridge the supply voltage. It can be snapped onto a 35 mm DIN rail in accordance with EN 60715)
Max. current consumption	< 21 mA (at 24 V DC)
Power consumption	< 500 mW

Input data

Signal

Number of inputs	1
------------------	---

Resistance thermometer measuring transducer - MINI MCR-SL-PT100-UI-NC



2864273

<https://www.phoenixcontact.com/us/products/2864273>

Measurement

Configurable/programmable	Yes
Sensor types (RTD) that can be used	Pt 100 (IEC 60751/EN 60751)
Temperature measuring range	min. 50 K
Sensor input current	1 mA (constant)
Max. permissible overall conductor resistance	10 Ω (Per cable)
Connection technology	2-, 3-, 4-conductor

Output data

Signal: Voltage/current

Output name	Voltage output / current output
Number of outputs	1
Configurable/programmable	Yes, unconfigured
Voltage output signal	0 V ... 5 V
	1 V ... 5 V
	0 V ... 10 V
	10 V ... 0 V
Max. voltage output signal	approx. 12.5 V
Non-load voltage	approx. 12.5 V
Current output signal	0 mA ... 20 mA
	4 mA ... 20 mA
	20 mA ... 0 mA
	20 mA ... 4 mA
Max. current output signal	23 mA
Short-circuit current	approx. 10 mA
Load/output load voltage output	$\geq 10 \text{ k}\Omega$
Load/output load current output	$< 500 \Omega$ (at 20 mA)
Ripple	$< 20 \text{ mV}_{PP}$ (at 10 k Ω)
	$< 20 \text{ mV}_{PP}$ (at 500 Ω)

Connection data

Connection method	Screw connection
Stripping length	12 mm
Screw thread	M3
Conductor cross section solid	0.2 mm ² ... 2.5 mm ²
Conductor cross section flexible	0.2 mm ² ... 2.5 mm ²
Conductor cross section AWG	26 ... 12

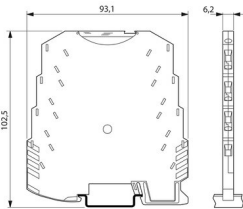
Dimensions

Resistance thermometer measuring transducer - MINI MCR-SL-PT100-UI-NC



2864273

<https://www.phoenixcontact.com/us/products/2864273>

Dimensional drawing	
Width	6.2 mm
Height	93.1 mm
Depth	101.2 mm

Material specifications

Fire protection for rail vehicles (DIN EN 45545-2) R22	HL 1 - HL 2
Fire protection for rail vehicles (DIN EN 45545-2) R23	HL 1 - HL 2
Fire protection for rail vehicles (DIN EN 45545-2) R24	HL 1 - HL 2
Housing material	PBT

Environmental and real-life conditions

Ambient conditions

Degree of protection	IP20
Ambient temperature (operation)	-20 °C ... 65 °C
Ambient temperature (storage/transport)	-40 °C ... 85 °C
Altitude	≤ 2000 m
Permissible humidity (operation)	5 % ... 95 % (non-condensing)

Approval data

CE

Certificate	CE-compliant
-------------	--------------

UKCA

Certificate	UKCA-compliant
-------------	----------------

UL, USA / Canada

Identification	UL 508 Recognized
	Class I, Div. 2, Groups A, B, C, D T5

Shipbuilding approval

Certificate	DNV GL TAA00002R0
-------------	-------------------

DNV GL data

Temperature	B
Humidity	B
Vibration	B
EMC	A

Resistance thermometer measuring transducer - MINI MCR-SL-PT100-UI-NC



2864273

<https://www.phoenixcontact.com/us/products/2864273>

Enclosure	Required protection according to the Rules shall be provided upon installation on board
-----------	---

EMC data

Electromagnetic compatibility	Conformance with EMC directive
Noise emission	EN 61000-6-4
Noise immunity	EN 61000-6-2
Note	When being exposed to interference, there may be minimal deviations.

Electrostatic discharge

Standards/regulations	EN 61000-4-2
-----------------------	--------------

Electrostatic discharge

Comments	Safety measures must be taken to prevent electrostatic discharge.
----------	---

Electromagnetic HF field

Designation	Electromagnetic RF field
Standards/regulations	EN 61000-4-3
Typical deviation from the measuring range final value	10 %

Fast transients (burst)

Designation	Fast transients (burst)
Standards/regulations	EN 61000-4-4
Typical deviation from the measuring range final value	10 %

Surge current load (surge)

Standards/regulations	EN 61000-4-5
-----------------------	--------------

Surge current load (surge)

Comments	Criterion B
----------	-------------

Conducted interference

Designation	Conducted interferences
Standards/regulations	EN 61000-4-6
Typical deviation from the measuring range final value	10 %

Standards and regulations

Electrical isolation	3-way isolation
----------------------	-----------------

Mounting

Mounting type	DIN rail mounting
Assembly instructions	The DIN rail connector can be used for bridging the supply voltage. It can be snapped onto a 35 mm EN 60715 DIN rail.
Mounting position	any

Resistance thermometer measuring transducer - MINI MCR-SL-PT100-UI-NC

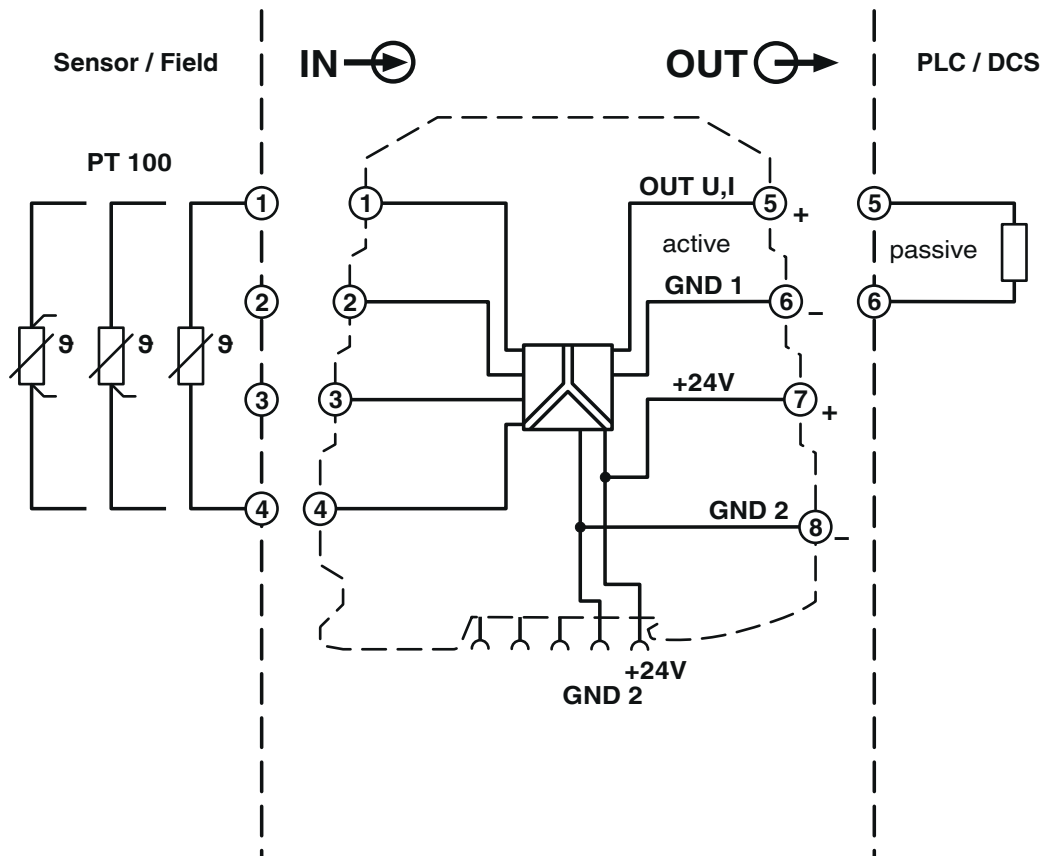


2864273

<https://www.phoenixcontact.com/us/products/2864273>

Drawings

Block diagram

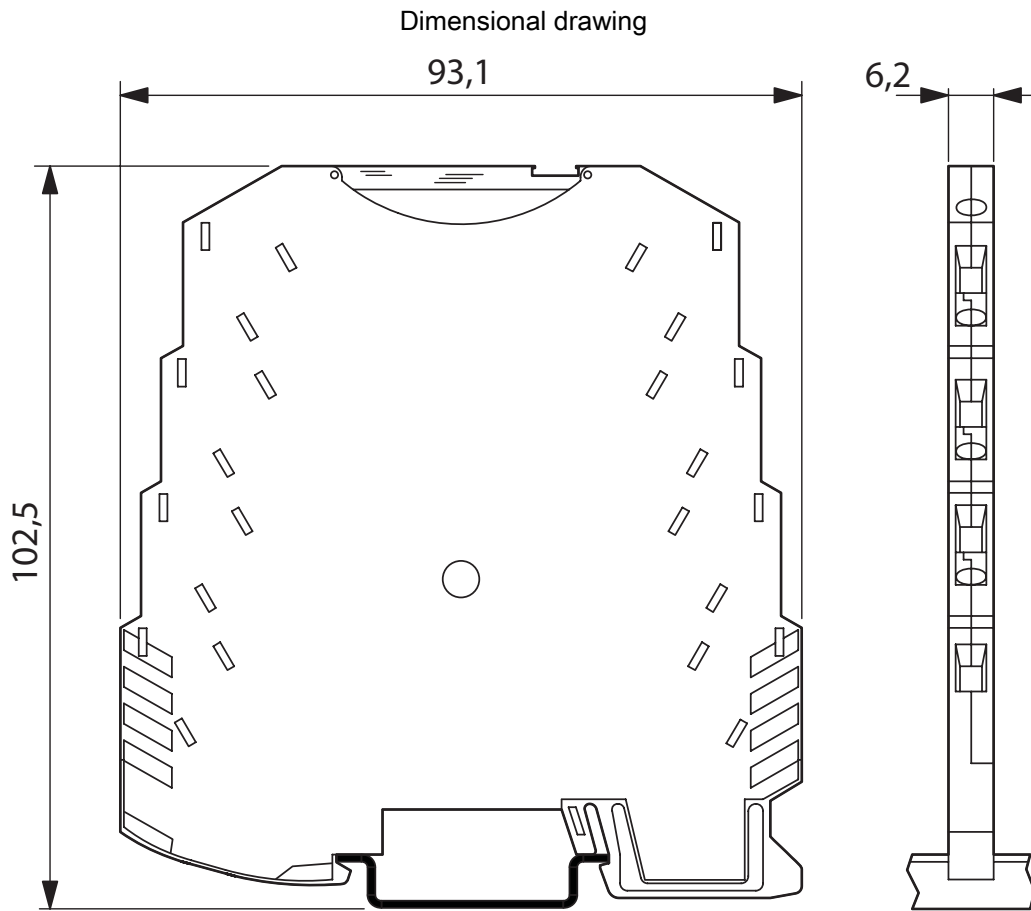


Resistance thermometer measuring transducer - MINI MCR-SL-PT100-UI-NC



2864273

<https://www.phoenixcontact.com/us/products/2864273>



Resistance thermometer measuring transducer - MINI MCR-SL-PT100-UI-NC



2864273

<https://www.phoenixcontact.com/us/products/2864273>

Approvals



cUL Recognized
Approval ID: FILE E 238705



UL Recognized
Approval ID: FILE E 238705



DNV GL
Approval ID: TAA00002R0



cUL Listed
Approval ID: FILE E 199827



UL Listed
Approval ID: FILE E 199827

cULus Recognized

cULus Listed

Resistance thermometer measuring transducer - MINI MCR-SL-PT100-UI-NC



2864273

<https://www.phoenixcontact.com/us/products/2864273>

Classifications

ECLASS

ECLASS-9.0	27210129
ECLASS-10.0.1	27210129
ECLASS-11.0	27210129

ETIM

ETIM 8.0	EC002919
----------	----------

UNSPSC

UNSPSC 21.0	41112100
-------------	----------

Resistance thermometer measuring transducer - MINI MCR-SL-PT100-UI-NC



2864273

<https://www.phoenixcontact.com/us/products/2864273>

Environmental Product Compliance

REACH SVHC	Lead 7439-92-1
China RoHS	Environmentally Friendly Use Period = 50 years
	For information on hazardous substances, refer to the manufacturer's declaration available under "Downloads"

Resistance thermometer measuring transducer - MINI MCR-SL-PT100-UI-NC



2864273

<https://www.phoenixcontact.com/us/products/2864273>

Accessories

Power terminal block

Power terminal block - MINI MCR-SL-PTB - 2864134

<https://www.phoenixcontact.com/us/products/2864134>



MCR power terminal block for supplying several MINI Analog modules via the DIN rail connector, with screw connection, maximum current consumption of up to 2 A

Power supply unit

Power supply unit - QUINT4-SYS-PS/1AC/24DC/2.5/SC - 2904614

<https://www.phoenixcontact.com/us/products/2904614>



Primary-switched power supply unit, QUINT POWER, Screw connection, DIN rail mounting, input: 1-phase, output: 24 V DC / 2.5 A

Resistance thermometer measuring transducer - MINI MCR-SL-PT100-UI-NC



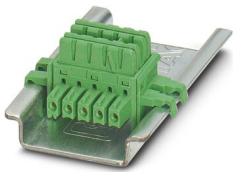
2864273

<https://www.phoenixcontact.com/us/products/2864273>

DIN rail bus connectors

DIN rail bus connectors - ME 6,2 TBUS-2 1,5/5-ST-3,81 GN - 2869728

<https://www.phoenixcontact.com/us/products/2869728>



DIN rail connector for DIN rail mounting. Universal for TBUS housing. Gold-plated contacts, 5-pos.

Transparent cover

Transparent cover - MINI MCR DKL - 2308111

<https://www.phoenixcontact.com/us/products/2308111>



Fold up transparent cover for MINI MCR modules with additional labeling option using insert strips and flat Zack marker strip 6.2 mm

Resistance thermometer measuring transducer - MINI MCR-SL-PT100-UI-NC



2864273

<https://www.phoenixcontact.com/us/products/2864273>

Marking label

Marking label - MINI MCR-DKL-LABEL - 2810272

<https://www.phoenixcontact.com/us/products/2810272>

Label for extended marking of MINI MCR modules in connection with the MINI MCR-DKL



Phoenix Contact 2022 © - all rights reserved
<https://www.phoenixcontact.com>

Phoenix Contact USA
586 Fulling Mill Road
Middletown, PA 17057, United States
(+717) 944-1300
info@phoenixcon.com