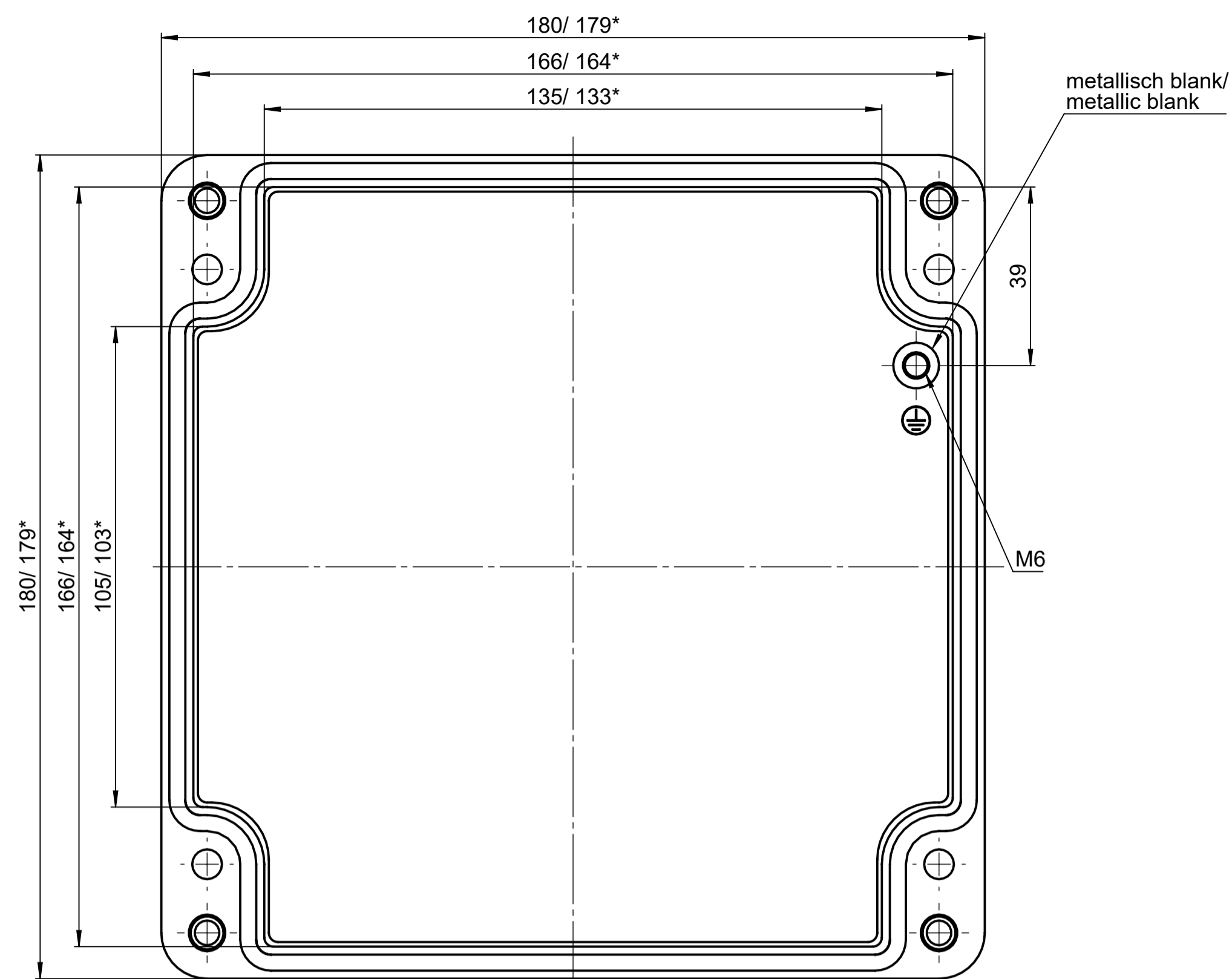


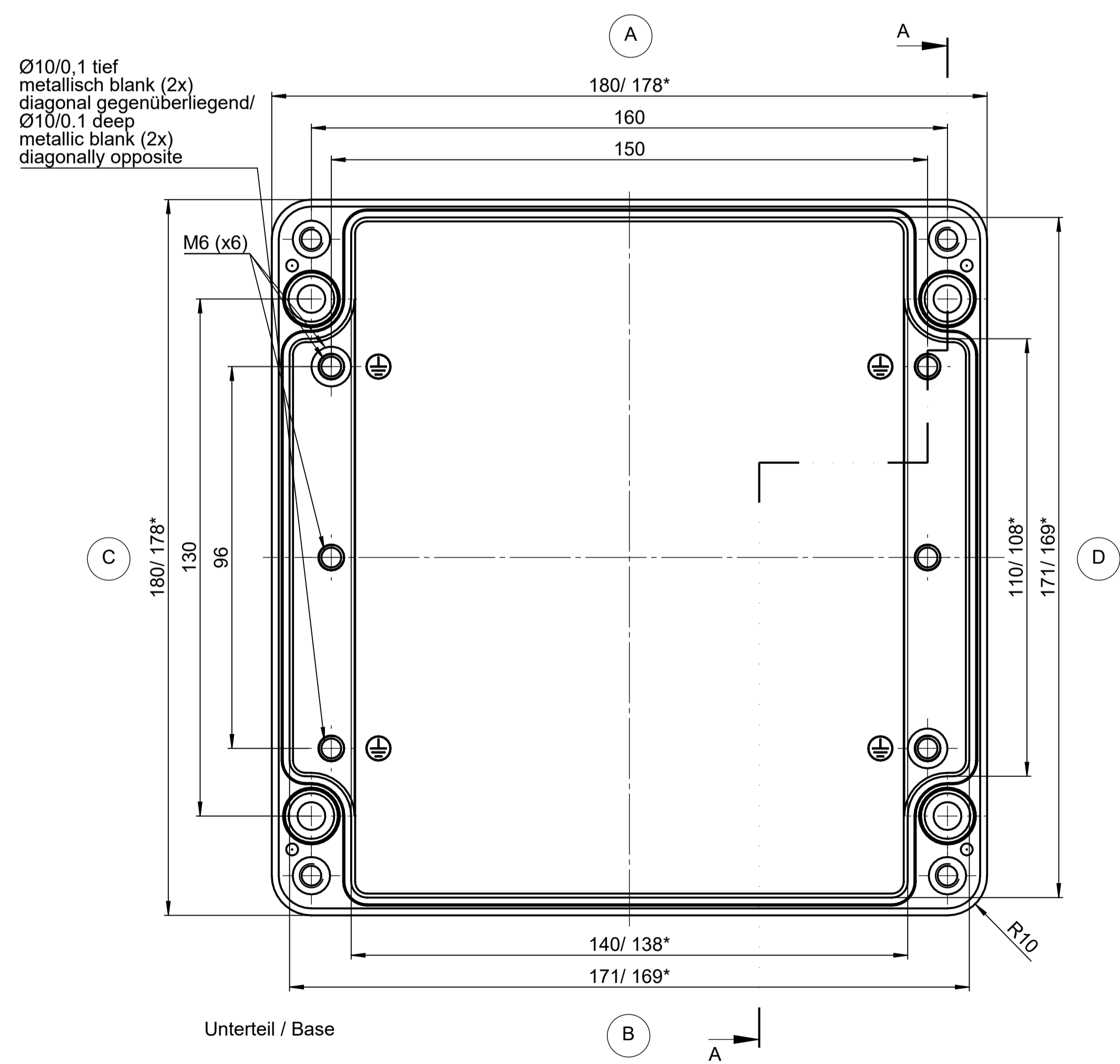
Für diese techn. Unterlage behalten wir uns alle Rechte vor. This technical drawing may be used for information only. It is not intended for manufacturing. In any case, the user is responsible for the correct use of the drawing. For these technical drawings, we reserve all rights. This drawing may be used for information only. It is not intended for manufacturing. In any case, the user is responsible for the correct use of the drawing.

All rights reserved. No copies or reproductions are permitted without the written consent of ROSE. Drawing may be used for information only or measured in any way.

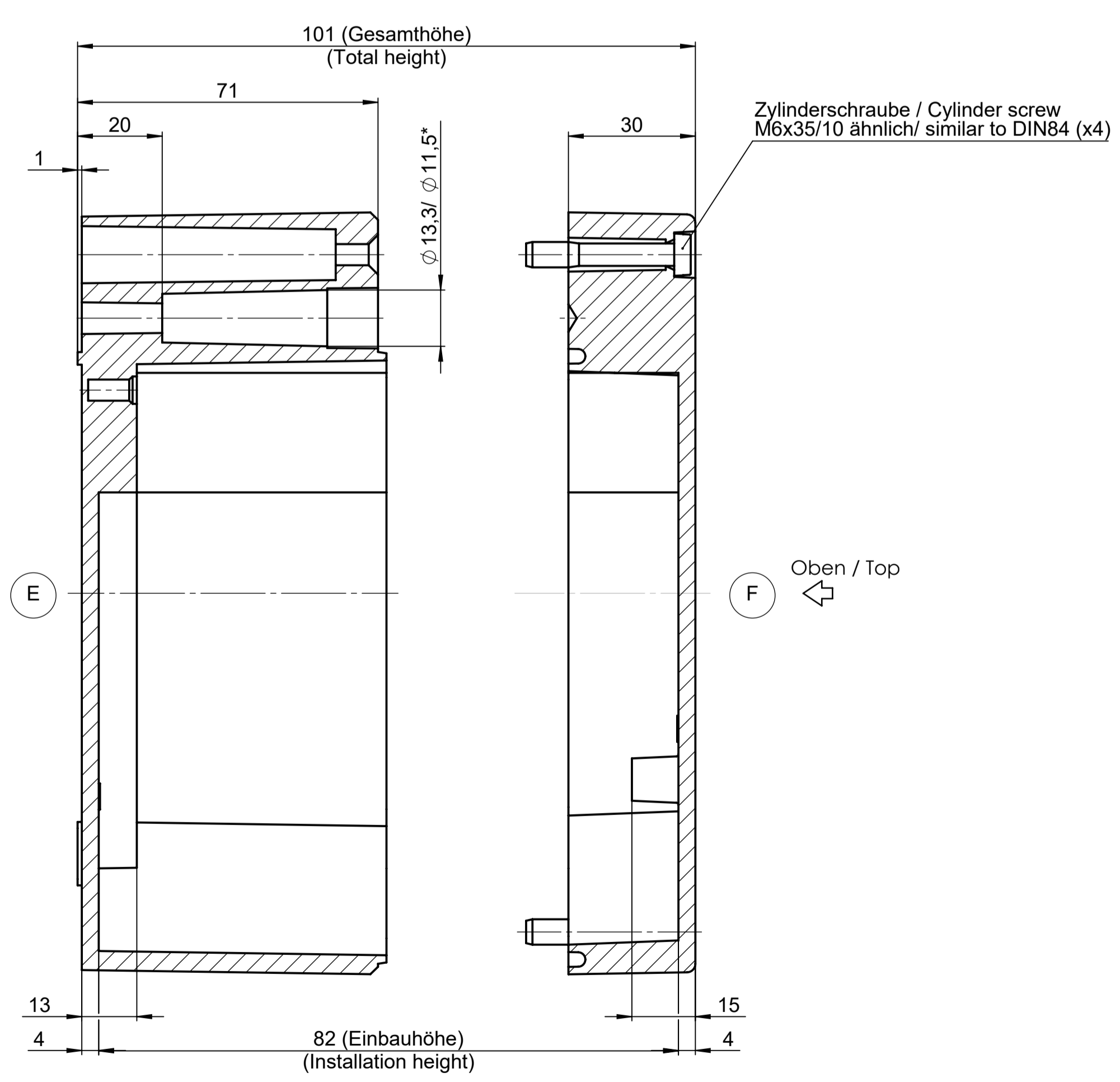


Deckel / Lid

* = Mass durch Formkonizität nach unten verringert.
Freimass - Toleranz nach GTA 13/5 - DIN 1688
* = Dimensions reduced in the lower part by mould incline
General tolerances according to GTA 13/5 - DIN 1688



Unterteil / Base



Index		Änderung/Modification		Änd.Nr./Mod.Nr.		Datum/Date/Name		Projekt-Nr./project-no.	
								Farbe/color	
								Gewicht/weight	
								2.00kg	
								Werkstoff/material	
								Oberfläche/surface	
								Freimass/tolerance	
								DIN 1688-GTA 13/5	
								Werkstückkanten/edges	
								Ersatz für Replacement for	
								Bemerkung/Note	
								Zeichnung-Nr./Drawing-No.	
								KAT01.181810	
Maßstab Scale		Benennung/Description		Systemtechnik GmbH		erstellt/created:		08.11.16	
1:1		Aluminium Gehäuse		32457 Porta Westfalica		geprüft/checked:		27.01.21	
DIN A1		Aluminium enclosure				A.Hei.			

Mouser Electronics

Authorized Distributor

Click to View Pricing, Inventory, Delivery & Lifecycle Information:

[Phoenix Mecano:](#)

[011818100](#) [011818108](#)