

AWING MADE IN THIRD ANGLE PROJECTION
 THIS DRAWING IS UNPUBLISHED. RELEASED FOR PUBLICATION
 © COPYRIGHT 19 BY AMP INCORPORATED, HARRISBURG, PA. ALL INTERNATIONAL RIGHTS RESERVED. AMP PRODUCTS MAY BE COVERED BY U.S. AND FOREIGN PATENTS AND/OR PATENTS PENDING.

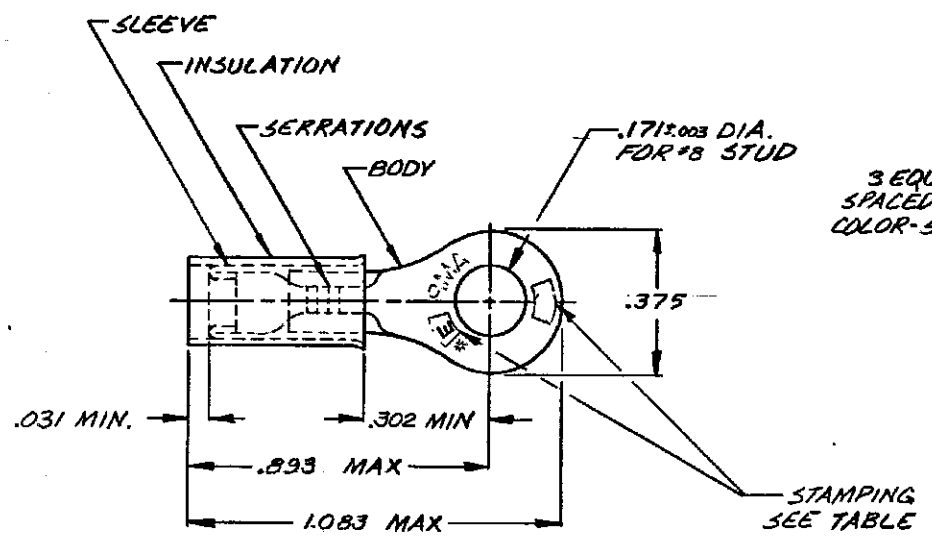
3

2

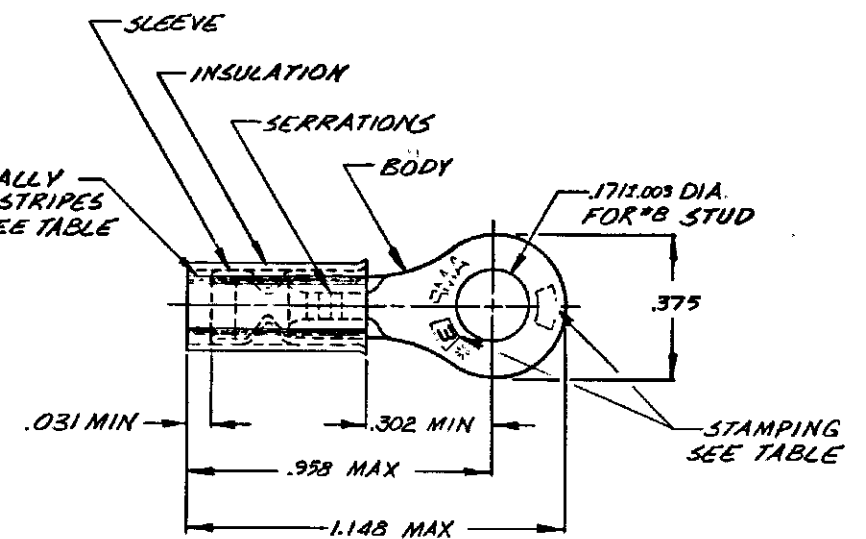
1

LOC G DIST 14

REVISIONS					
P	F	ZONE	LTR	DESCRIPTION	DATE APPROVED
✓			M	REVISED & REDRAWN PER G-1423 & PB9-0292, WAS SIZE B	1/16/86 BOM
✓			N	OBSELETE 2--6 PER G-2393	2/16/87 GS
			P	REV/0720-0060-93	3-31-83 TO YML
			R	REMOVE SHIP SIZE / 0720-0542-95	3-8-85 LO/ML
			S	REV/0720-0956-96	6-26-96 ME/TCM



STYLE A



STYLE B
INSULATION RESTRICTING

- 1 TONGUE MATERIAL THK. - .040 ± .002
- 2 TIN PL. MIL-T-10727
- 3 NICKEL PL QQ-N-290
- 4 SUPERSEDED BY 2-320568-2
- 5 SUPERSEDED BY 2-320568-3

PART NO	PACKAGE TYPE	QTY	STYLE	STAMPING	WIRE INS. DIA	STRIPE COLOR	PART NO. ON TAPE
9-320568-2	LOOSE PC, BOX	50	B	10	.119-.200	BROWN	
8-320568-2	LOOSE PC, BOX	50	A	12	.095-.200	YELLOW	
7-320568-2	LOOSE PC, BOX	50	A	12-10	.150-.230		
2-320568-6	ON TAPE 16 BOX	500	A	12-10	.150-.230		OBS
2-320568-3	LOOSE PIECE	*	B	10	.119-.200	BROWN	2-320568-3
2-320568-2	LOOSE PIECE	*	B	12	.095-.200	YELLOW	2-320568-2
2-320568-1	ON TAPE, REEL	2500	A	12-10	.150-.230	*	2-320568-1
320568	LOOSE PIECE	*	A	12-10	.150-.230	*	*

WIRE SIZE	BODY FINISH	SLEEVE FINISH	MATERIAL	PART NO
10		△		9-320568-2
12		△		8-320568-2
12-10		△		7-320568-2
12-10		△		2-320568-6
10		△		2-320568-5
12	TIN PL MIL-T-10727	△	BODY & SLEEVE: COPPER QQ-C-576	2-320568-2
12-10		△	INSULATION: NYLON TYPE I MILM-20693, COLOR: YELLOW	2-320568-1
12-10		△		320568

UNLESS OTHERWISE SPECIFIED DIMENSIONS ARE IN INCHES
 TOLERANCES ON:
 DECIMALS ±.008
 ANGLES ±

MATERIAL: SEE TABLE

FINISH: SEE TABLE

CONTRACT NO

DR P. Fortney / RFB-UTA 11-6-85

CHK P. Muthyalaiah 1/6/86

APPD Olan Ivan Tran 11/7/86

APPD

OSGN APPD

OTHER APPD

AMP | AMP INCORPORATED
Harrisburg, Pa. 17105

NAME: TERMINAL, PIDG, RING

SIZE: C FSCM NO: 00779 DRAWING NO: 320568

SCALE: NTS SHEET: -