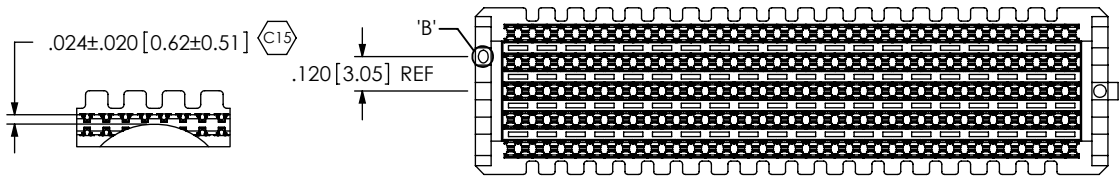
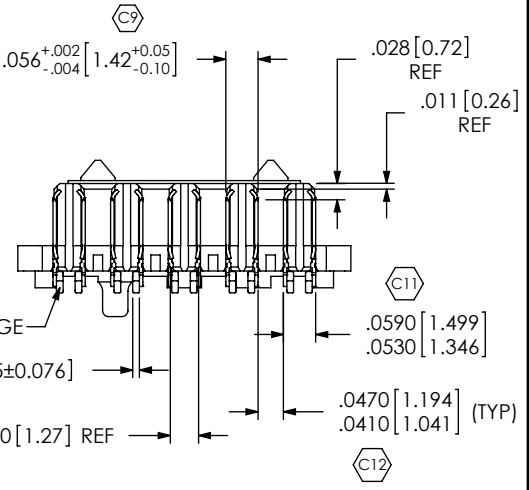
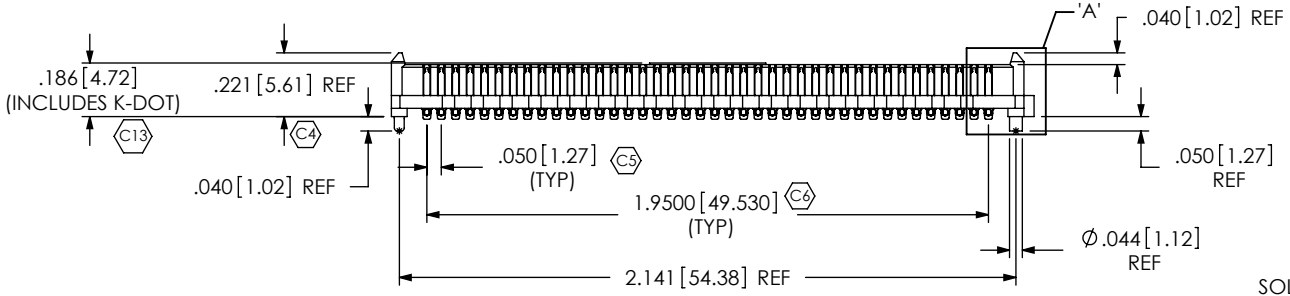
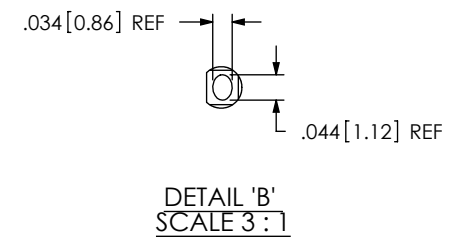
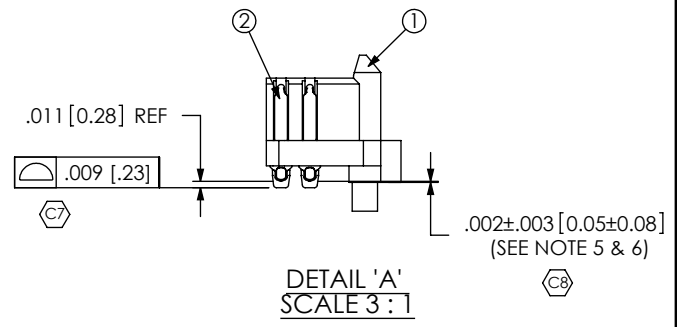
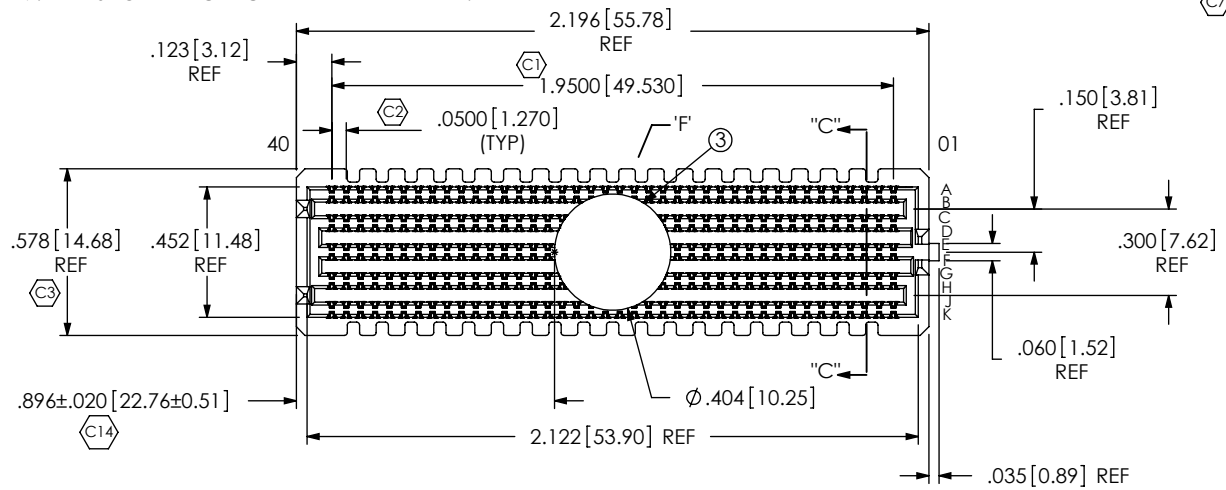


**REVISION G**

DO NOT SCALE FROM THIS PRINT

- NOTES:  
 1. **VITA 57 CONNECTOR.**  
 2. Ⓢ REPRESENTS A CRITICAL DIMENSION.  
 3. MINIMUM PUSHOUT FORCE: .75 LBS.  
 4. ATTACH LABEL "SEAX-0001" TO EACH TAPE & REEL PACKAGE.  
 5. MAXIMUM ROW TO ROW VARIATION .003[0.08].  
 6. DIMENSION C8 MUST BE MEASURED IN THE FOUR OUTSIDE CORNERS USING INSPECTION FIXTURE AT-1817-836-1, USE CO-AU-WI-2003-M FOR PROCESS.  
 7. PARTS TO BE PACKAGED IN TAPE AND REEL.



ITEM NO.	PART NUMBER	QUANTITY	MATERIAL
1	SEAM-40-02.0-10-A	1.0000	LCP, UL 94 V0, COLOR: BLACK
2	NEW-SUB-T-1M36-02.0-S-1	400.00	COPPER ALLOY / LEADED SOLDER
3	K-DOT-.404-.505-.005	1.0000	POLYIMIDE FILM
4	CT-SEAM032MS	1.0000	CONDUCTIVE POLYMER

UNLESS OTHERWISE SPECIFIED, DIMENSIONS ARE IN INCHES.  
 TOLERANCES ARE:  
 DECIMALS ANGLES  
 .XX: ±.01 [.3] 2°  
 .XXX: ±.005 [.13]  
 .XXXX: ±.0020 [.051]

PROPRIETARY NOTE  
 THIS DOCUMENT CONTAINS INFORMATION CONFIDENTIAL AND PROPRIETARY TO SAMTEC, INC. AND SHALL NOT BE REPRODUCED OR TRANSFERRED TO OTHER DOCUMENTS OR DISCLOSED TO OTHERS OR USED FOR ANY PURPOSE OTHER THAN THAT WHICH IT WAS OBTAINED WITHOUT THE EXPRESSED WRITTEN CONSENT OF SAMTEC, INC.

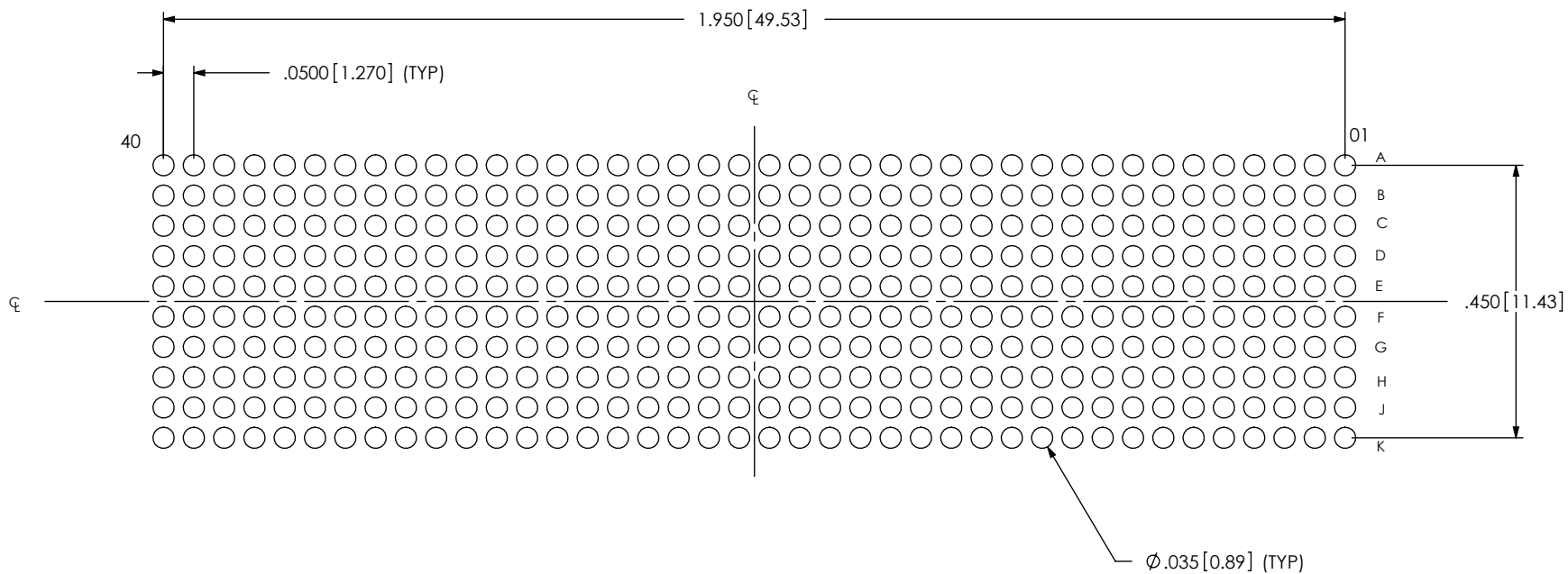
**samtec**  
 520 PARK EAST BLVD, NEW ALBANY, IN 47150  
 PHONE: 812-944-6733 FAX: 812-948-5047  
 e-Mail: info@SAMTEC.com code: 55322

PLATING: DO NOT SCALE DRAWING SHEET SCALE: 3:2  
 CONTACT AREA: .000030 GOLD OVER .000050 NICKEL  
 REMAINDER: .000200 REF TIN OVER .000050 NICKEL  
 F:\DWG\MISC\MKTG\ASP-134601-01-MKT.SLDDRW

DESCRIPTION: .050 PITCH TERMINAL ARRAY ASSEMBLY  
 DWG. NO. ASP-134601-01  
 BY: G. PURVIS 10/31/2007 SHEET 1 OF 4



NOTES:  
STENCIL THICKNESS TO BE .0060[0.152].

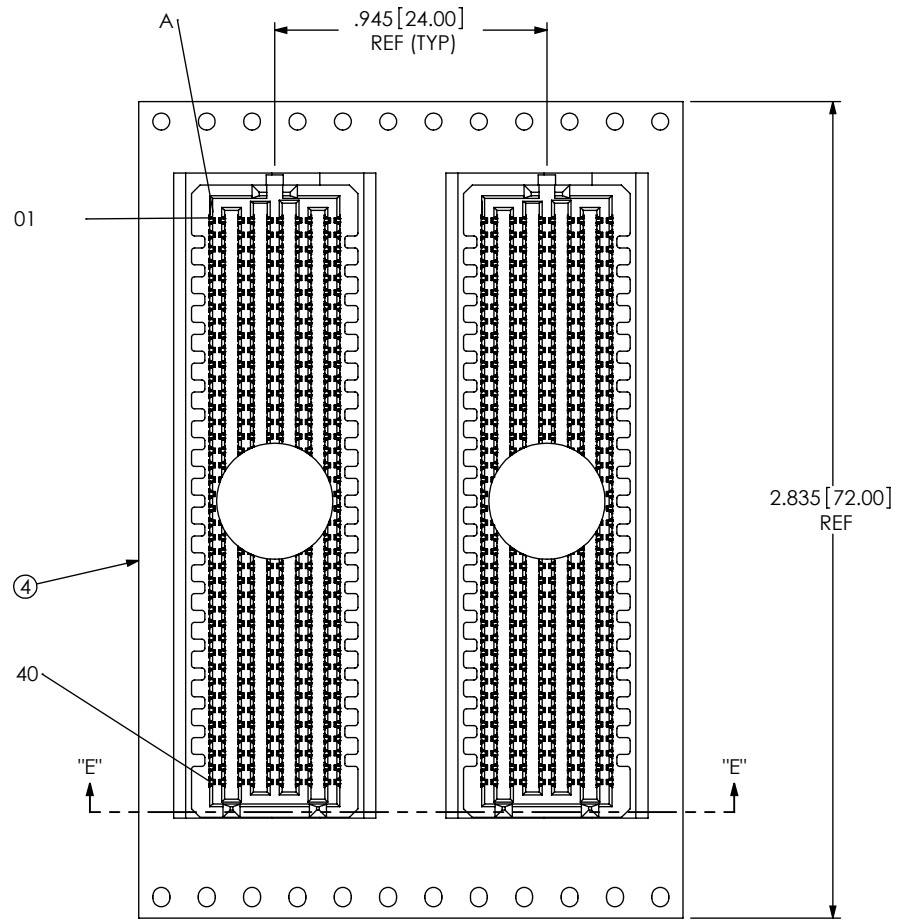


ALL DIMENSIONS ARE SYMMETRIC ABOUT CENTERLINE.

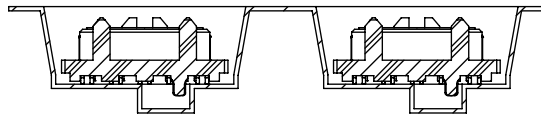
**PROPRIETARY NOTE**  
 THIS DOCUMENT CONTAINS INFORMATION  
 CONFIDENTIAL AND PROPRIETARY TO  
 SAMTEC, INC. AND SHALL NOT BE REPRODUCED  
 OR TRANSFERRED TO OTHER DOCUMENTS OR  
 DISCLOSED TO OTHERS OR USED FOR ANY  
 PURPOSE OTHER THAN THAT WHICH IT WAS  
 OBTAINED WITHOUT THE EXPRESSED WRITTEN  
 CONSENT OF SAMTEC, INC.



520 PARK EAST BLVD, NEW ALBANY, IN 47150  
 PHONE: 812-944-6733 FAX: 812-948-5047  
 e-Mail: info@SAMTEC.com code: 55322



USER DIRECTION OF UN-REELING →  
POCKET NOT DETAILED



SECTION "E"- "E"  
PACKAGING VIEW

**PROPRIETARY NOTE**

THIS DOCUMENT CONTAINS INFORMATION CONFIDENTIAL AND PROPRIETARY TO SAMTEC, INC. AND SHALL NOT BE REPRODUCED OR TRANSFERRED TO OTHER DOCUMENTS OR DISCLOSED TO OTHERS OR USED FOR ANY PURPOSE OTHER THAN THAT WHICH IT WAS OBTAINED WITHOUT THE EXPRESSED WRITTEN CONSENT OF SAMTEC, INC.



520 PARK EAST BLVD, NEW ALBANY, IN 47150  
PHONE: 812-944-6733 FAX: 812-948-5047  
e-Mail: info@SAMTEC.com code: 55322

SHEET SCALE: 1.5:1

DESCRIPTION:  
.050 PITCH TERMINAL ARRAY ASSEMBLY

DWG. NO.  
ASP-134601-01

# Mouser Electronics

Authorized Distributor

Click to View Pricing, Inventory, Delivery & Lifecycle Information:

[Samtec:](#)

[ASP-134601-01](#)