

ACCLIMATE™

FLEXIBLE SEALED CIRCULAR SYSTEMS



FEATURES & BENEFITS

- Metal or plastic, 12 mm, 16 mm and 22 mm shells
- Choice of pin configuration and gender
- Bayonet-style latching systems meet IP68 requirements
- Cost-effective crimp version available (samtec.com/crimp)
- Variety of end 2 options for panel-to-board applications
- Mini push-pull latching system meets IP67 requirements for dust and waterproof sealing



Kitted components for efficient field assembly



Dust caps available

ACX-12

MAX

5.0
A m p s

No. of Pins
2, 4, 5

ACX-16

MAX

11.6
A m p s

No. of Pins
2, 10, 14

ACX-22

MAX

8.3
A m p s

No. of Pins
8, 20, 30

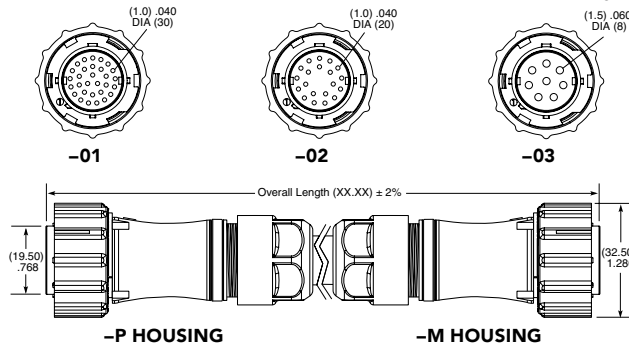
KEY SPECIFICATIONS

INSULATOR MATERIAL	TERMINAL MATERIAL	CONTACT MATERIAL	OPERATING TEMP RANGE	HOUSING
Thermoplastic	Brass	Brass/BeCu	-10 °C to +80 °C (ACX-12) -10 °C to +105 °C (ACX-16) -10 °C to +105 °C (ACX-22)	Thermoplastic (-P) Zinc Alloy (-M)

22 mm • IP68 SEALED CABLE ASSEMBLY

SERIES	22	LEAD STYLE	PLATING OPTION	LENGTH	END 1	END 2	HOUSING MATERIAL	KEYING OPTIONS
ACP Terminal		-01 = 1.0 mm DIA (30) terminals or sockets (24 AWG)	-G = 10 μ" (0.25 μm) Gold over 50 μ" (1.27 μm) Ni on contact	-"XX.XX" = Length in meters (00.25 m min. to 50.00 m max.) Standard lengths	-T = Terminal -S = Socket	-T = Terminal (ACP only) -S = Socket (ACP only) -BC = Blunt Cut -S1 = Connector determine by lead style. See chart for end 2 connector used. (ACR only)	-P = Plastic -M = Metal	-1 = Orange, 45°
ACR Socket		-02 = 1.0 mm DIA (20) terminals or sockets (24 AWG) -03 = 1.5 mm DIA (8) terminals or sockets (16 AWG)						

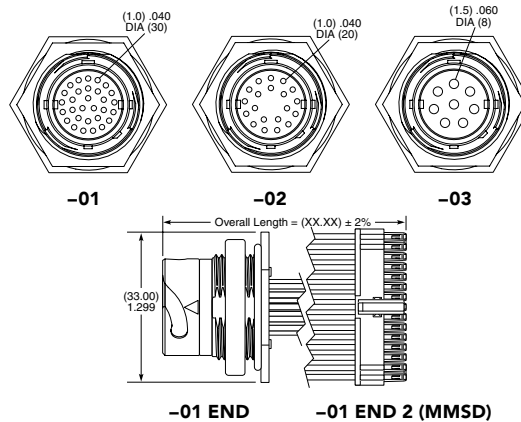
ACP-22
End 1/2 Mates:
ACP-22
ACR-22
ACRK-22



View complete specifications at: samtec.com?ACP-22

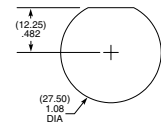
ACR-22
End 1 Mates:
ACP-22
ACPK-22

End 2 Mates:
IPL1, MPT



View complete specifications at: samtec.com?ACR-22

PANEL OPENING



LEAD STYLE	-S1 END 2	MATES WITH -S1
-01	MMSD (24 AWG)	IPL1
-02	MPSS (16 AWG)	MPT

CURRENT RATING		
LEAD STYLE	PINS POWERED	CCC per PIN
-01	30	2.0 A
-02	20	2.3 A
-03	8	8.3 A

For general reference only. Contact AccliMate@samtec.com for applications requiring higher current carrying capacity.

KITS AVAILABLE

www.samtec.com?ACPK-22
www.samtec.com?ACRK-22

Note:
Some lengths, styles and options are non-standard, non-returnable.

Mouser Electronics

Authorized Distributor

Click to View Pricing, Inventory, Delivery & Lifecycle Information:

Samtec:

[ACR-22-01-G-00.50-S-S1-P-1](#) [ACR-22-03-G-00.50-S-BC-M-1](#) [ACR-22-03-G-00.50-S-S1-M-1](#) [ACR-22-03-G-00.50-S-S1-P-1](#) [ACR-22-03-G-00.50-S-BC-P-1](#) [ACR-22-01-G-00.50-S-S1-M-1](#) [ACR-22-01-G-00.50-S-BC-M-1](#) [ACR-22-01-G-00.50-S-BC-P-1](#) [ACP-22-03-G-01.00-T-T-M-1](#) [ACP-22-03-G-01.00-T-T-P-1](#) [ACP-22-03-G-01.00-T-BC-M-1](#) [ACP-22-03-G-01.00-T-BC-P-1](#) [ACP-22-01-G-01.00-T-BC-M-1](#) [ACP-22-01-G-01.00-T-T-M-1](#) [ACP-22-01-G-01.00-T-BC-P-1](#) [ACP-22-01-G-01.00-T-T-P-1](#) [ACP-22-02-G-01.00-T-BC-P-1](#) [ACP-22-03-G-00.25-S-BC-M-1](#)