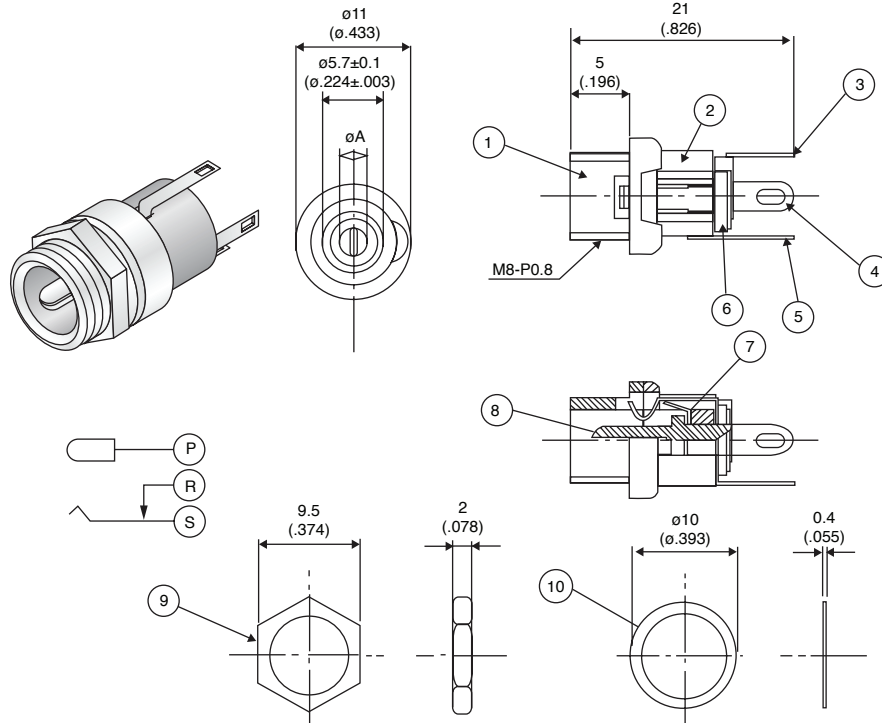


DC Jacks

163-MJ21-EX, 163-MJ22-EX



DC Jacks



Dimensions: mm (in.)

A	
163-MJ21-EX	$\phi 2 \pm 0.2$
163-MJ22-EX	$\phi 2.35 \pm 0.2$

ELECTRICAL	
Rating:	MJ21 = DC12V 0.5A MJ22 = DC12V 1A
Contact Resistance:	30m Ω max.
Insulation Resistance:	DC250V/50m Ω min.
Withstand Voltage:	AC 250V 1 min.

MATERIAL SPECIFICATIONS			
10	Washer:	STEEL	Ni
9	Nut:	BSBM	Ni
8	Center Pin:	BSBM	Ag
7	Insulator B:	PF	
6	Insulator A:	PF	
5	Break Terminal:	BSR	Ag
4	Sleeve Spring:	BSR	Ag
3	Pin Terminal:	BSR	Ag
2	Housing:	ABS	
1	Bushing	BSBM	Ni

RoHS Compliant by Exemption

163-MJ21-EX, 163-MJ22-EX

Date Last Revised: 03/15/07

Available from Mouser Electronics
1-800-346-6873 / www.mouser.com

KC-301132

Specifications are subject to change without notice. No liability or warranty implied by this information. Environmental compliance based on producer documentation.

Mouser Electronics

Authorized Distributor

Click to View Pricing, Inventory, Delivery & Lifecycle Information:

[Kobiconn:](#)

[163-MJ22-EX](#) [163-MJ21-EX](#)