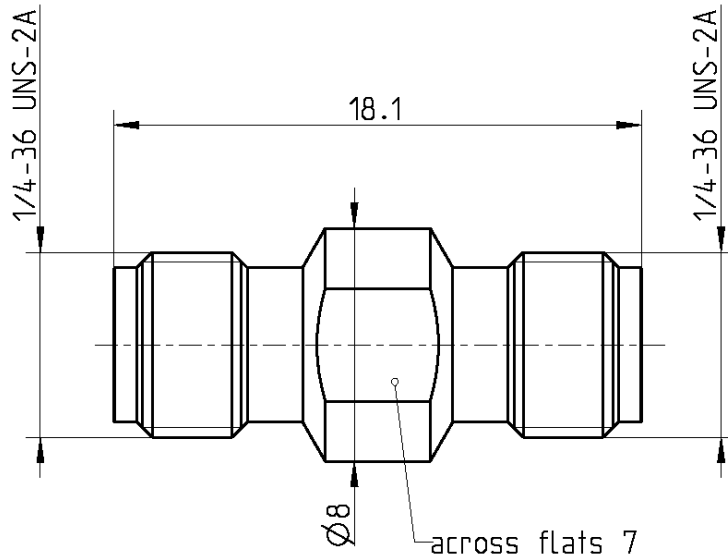


RPC-2.92

Adaptor
jack - jack

02K121-K00S3



All dimensions are in mm; tolerances according to ISO 2768 m-H

Interface

According to IEC 61169-35
Mechanically compatible with RPC-3.50 and SMA

Documents

N/A

Material and plating

Connector parts

Center contact
Outer contact
Dielectric

Material

CuBe
Stainless steel
PS

Plating

Gold, min. 1.27 µm, over chemical nickel
Passivated

Dieses Dokument ist urheberrechtlich geschützt • This document is protected by copyright • Rosenberger Hochfrequenztechnik GmbH & Co. KG

RF_35/09.14/6.2

RPC-2.92

Adaptor
jack - jack

02K121-K00S3

Electrical data

Impedance	50 Ω
Frequency	DC to 40 GHz
Return loss	≥ 21 dB, DC to 40 GHz
Insertion loss	≤ 0.04 x √f(GHz) dB
Insulation resistance	≥ 5 GΩ
Test voltage (at sea level)	750 V rms
Working voltage (at sea level)	250 V rms
RF-leakage	≥ 100 dB up to 1 GHz

Mechanical data

Mating cycles	≥ 500
Center contact captivation	≥ 20 N
Coupling test torque	1.70 Nm
Recommended torque	0.80 Nm to 1.10 Nm

Environmental data

Temperature range	-40°C to +85°C
Thermal shock	MIL-STD-202, Meth. 107, Cond. B
Corrosion	MIL-STD-202, Meth. 101, Cond. B
Vibration	MIL-STD-202, Meth. 204, Cond. D
Shock	MIL-STD-202, Meth. 213, Cond. I
Moisture resistance	MIL-STD-202, Meth. 106
RoHS	compliant

Tooling

N/A

Suitable cables

N/A

Weight

Standard	3.0 g/pce
----------	-----------

While the information has been carefully compiled to the best of our knowledge, nothing is intended as representation or warranty on our part and no statement herein shall be construed as recommendation to infringe existing patents. In the effort to improve our products, we reserve the right to make changes judged to be necessary.

Draft	Date	Approved	Date	Rev.	Engineering change number	Name	Date
Herbert Babinger	06.12.04	F. Reiner	22.06.18	c01	18-1026	M.Ruf	22.06.18

Rosenberger Hochfrequenztechnik GmbH & Co. KG
P.O.Box 1260 D-84526 Tittmoning Germany
www.rosenberger.de

Tel. : +49 8684 18-0
Email : info@rosenberger.de

Page

2 / 2

Mouser Electronics

Authorized Distributor

Click to View Pricing, Inventory, Delivery & Lifecycle Information:

[Rosenberger:](#)

[02K121-K00S3](#)