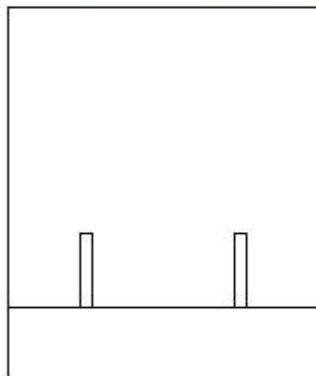
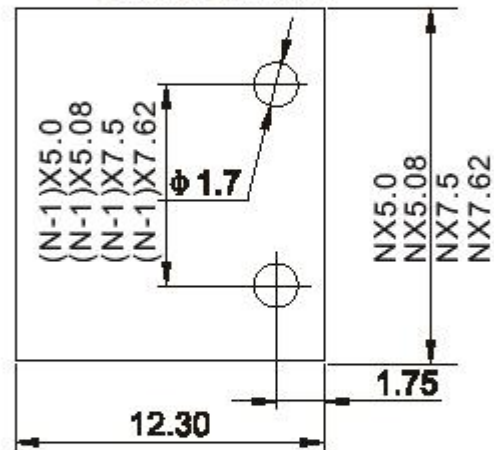


N=Number of contacts



P.C.B. LAYOUT



Pitch:5.0mm,5.08mm,7.5mm,7.62mm

- **Material**

Pin header : Brass, Tin plated

Housing : PA66, UL94V-0

- **Mechanical**

Temp.Range : -40°C~+105°C

MAX Soldering: +250°C ,for 5 Sec.