

# 3600NF series

Sealed toggle switches  
for outdoor applications



## DISTINCTIVE FEATURES

- Sealed to IP67
- Solid silver contacts
- UL approved



## ENVIRONMENTAL SPECIFICATIONS

- Sealing to IP67 according to IEC 60529 obtained by
  - O-ring between lever and bushing
  - half-length boot and nylon washer (supplied mounted)
  - elastomer gasket between cover and case
  - molded-in terminal inserts
  - sealing washer U60
- Operating temperature : -40 °C to +85 °C (-40 °F to +185 °F)



## ELECTRICAL SPECIFICATIONS

- Max. current/voltage rating with resistive load : 12 A 28 VDC
- Initial contact resistance : 10 mΩ max.
- Insulation resistance : 1,000 MΩ min. at 500 VDC
- Dielectric strength :
  - 2,500 Vrms 50 Hz min. between terminals
  - 3,000 Vrms 50 Hz min. between terminals and frame
- Electrical life : 10,000 cycles at full load



## GENERAL SPECIFICATIONS

- Torque : 1.50 Nm (1.10 Ft.lb) max. applied to nut
- Panel thickness : 2 mm (.079) max. with all accessories



## MATERIALS

- Case : phenolic resin
- Actuator : brass, nickel plated
- Bushing : brass, nickel plated
- Contacts : solid silver

The company reserves the right to change specifications without notice.



# 3600NF series

Sealed toggle switches for outdoor applications

## AGENCY APPROVAL



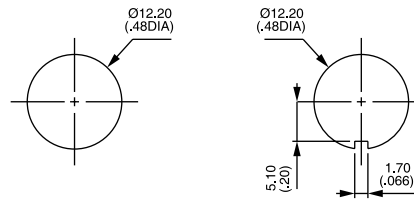
6 A 125 VAC/250 VAC

**Availability** : consult factory for details or approved models.

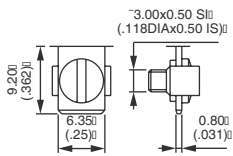
**Marking** : to order switches marked UL, complete last box of ordering format.



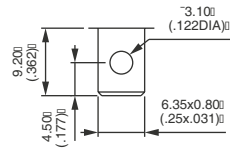
## PANEL CUT-OUT



## TERMINALS



Screw

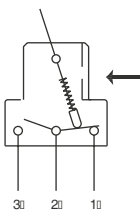


Solder lug / quick-connect



## ELECTRICAL FUNCTIONS

→ KEYWAY

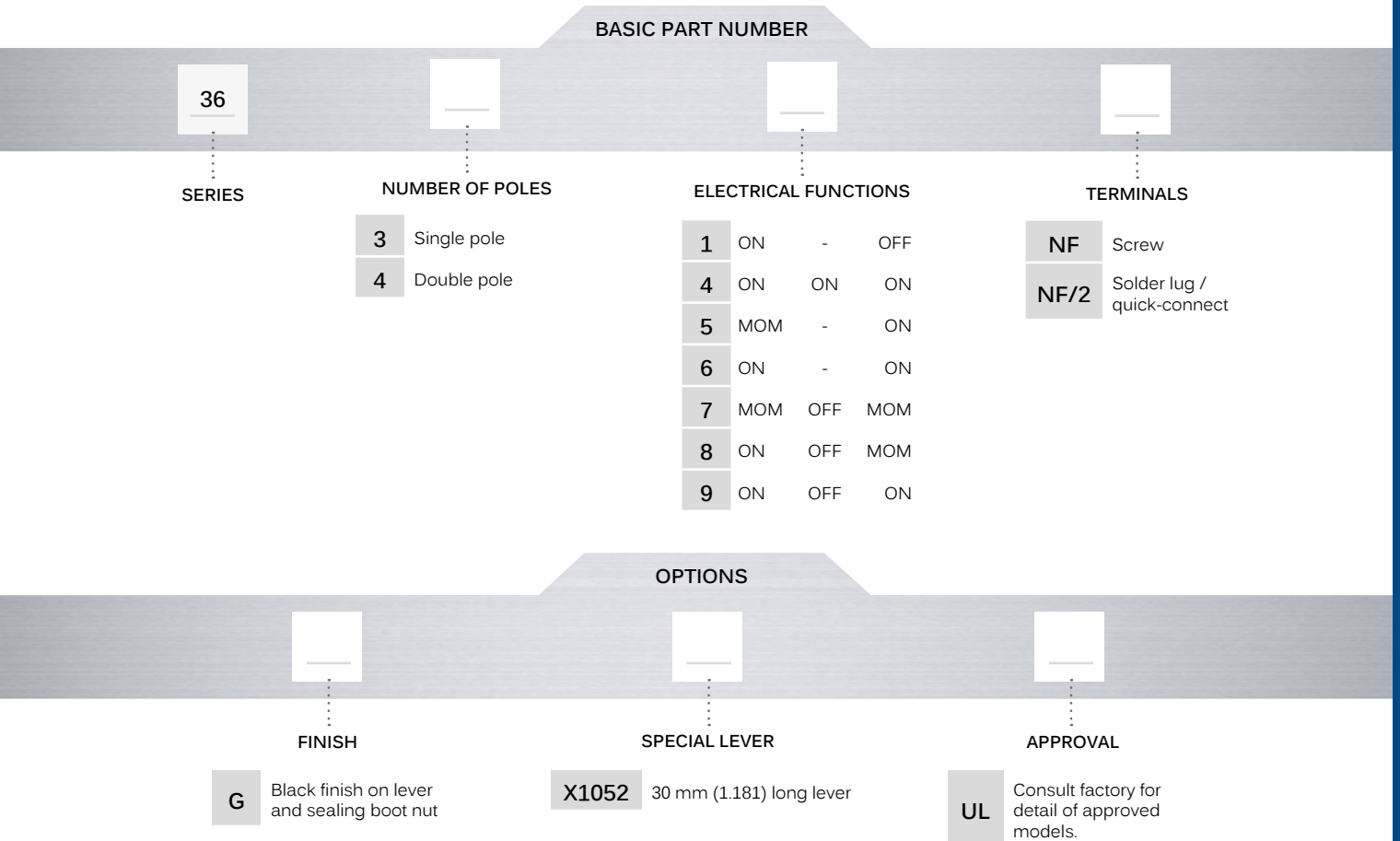


# 3600NF series

Sealed toggle switches for outdoor applications



## BUILD YOUR PART NUMBER



## ABOUT THIS SERIES

On the following pages, you will find successively basic part numbers of switches and options in the same order as in above chart.

**Notice** : please note that not all combinations of above numbers are available. Refer to the following pages for further information.

**Mounting accessories** : 1 sealing boot U1151, 1 hex nut U166, 1 nylon washer U21 and 1 sealing washer U60. Standard and special hardware available is presented in the "Accessories" section of website.

# 3600NF series

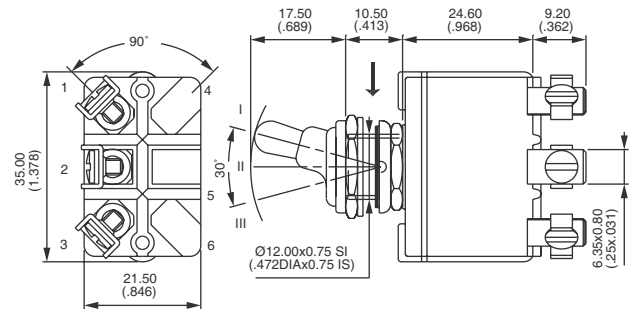
Sealed toggle switches for outdoor applications

## SCREW TERMINALS - SINGLE POLE



	III	II	I
	2-1	-	2-3
3631NF	ON	-	OFF
3635NF	MOM	-	ON
3636NF	ON	-	ON
3637NF	MOM	OFF	MOM
3638NF	ON	OFF	MOM
3639NF	ON	OFF	ON

→ KEYWAY

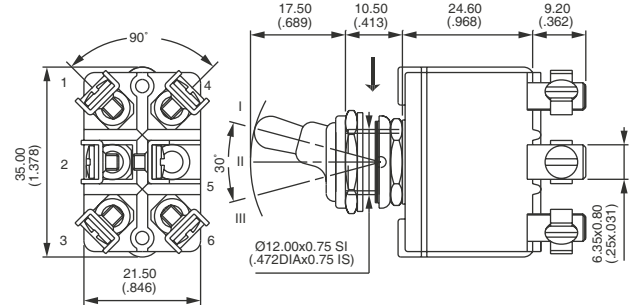


## SCREW TERMINALS - DOUBLE POLE



	III	II	I
	2-1 5-4	-	2-3 5-6
3641NF	ON	-	OFF
3644NF *	ON	ON	ON
3645NF	MOM	-	ON
3646NF	ON	-	ON
3647NF	MOM	OFF	MOM
3648NF	ON	OFF	MOM
3649NF	ON	OFF	ON

→ KEYWAY



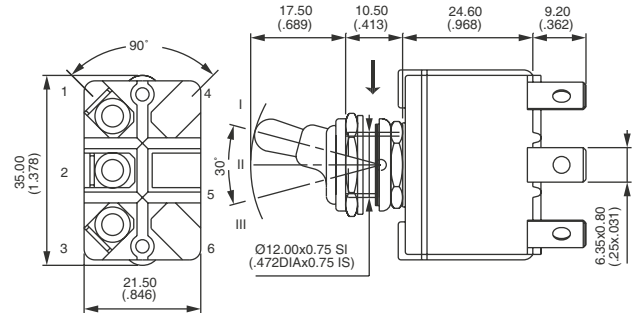
\* Function 4 : SP in DP case, see "Technical information" on website

## SOLDER LUG AND QUICK-CONNECT TERMINALS - SINGLE POLE



	III	II	I
	2-1	-	2-3
3631NF/2	ON	-	OFF
3635NF/2	MOM	-	ON
3636NF/2	ON	-	ON
3637NF/2	MOM	OFF	MOM
3638NF/2	ON	OFF	MOM
3639NF/2	ON	OFF	ON

→ KEYWAY

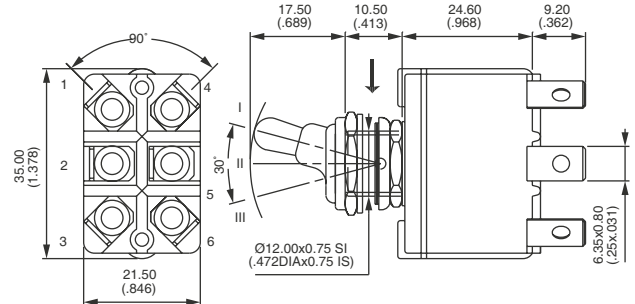


## SOLDER LUG AND QUICK-CONNECT TERMINALS - DOUBLE POLE



	III	II	I
	2-1	-	2-3
3641NF/2	ON	-	OFF
3644NF/2*	ON	ON	ON
3645NF/2	MOM	-	ON
3646NF/2	ON	-	ON
3647NF/2	MOM	OFF	MOM
3648NF/2	ON	OFF	MOM
3649NF/2	ON	OFF	ON

→ KEYWAY



\* Function 4 : SP in DP case, see "Technical information" on website

# 3600NF series

Sealed toggle switches for outdoor applications

## FINISH



**G** Black finish on lever and nut of sealing boot

## SPECIAL LEVER



**X1052** 30 mm (1.181) long lever



X1052

## AGENCY APPROVAL



**UL**

**Marking :** to order switches marked UL, complete above box with "UL".