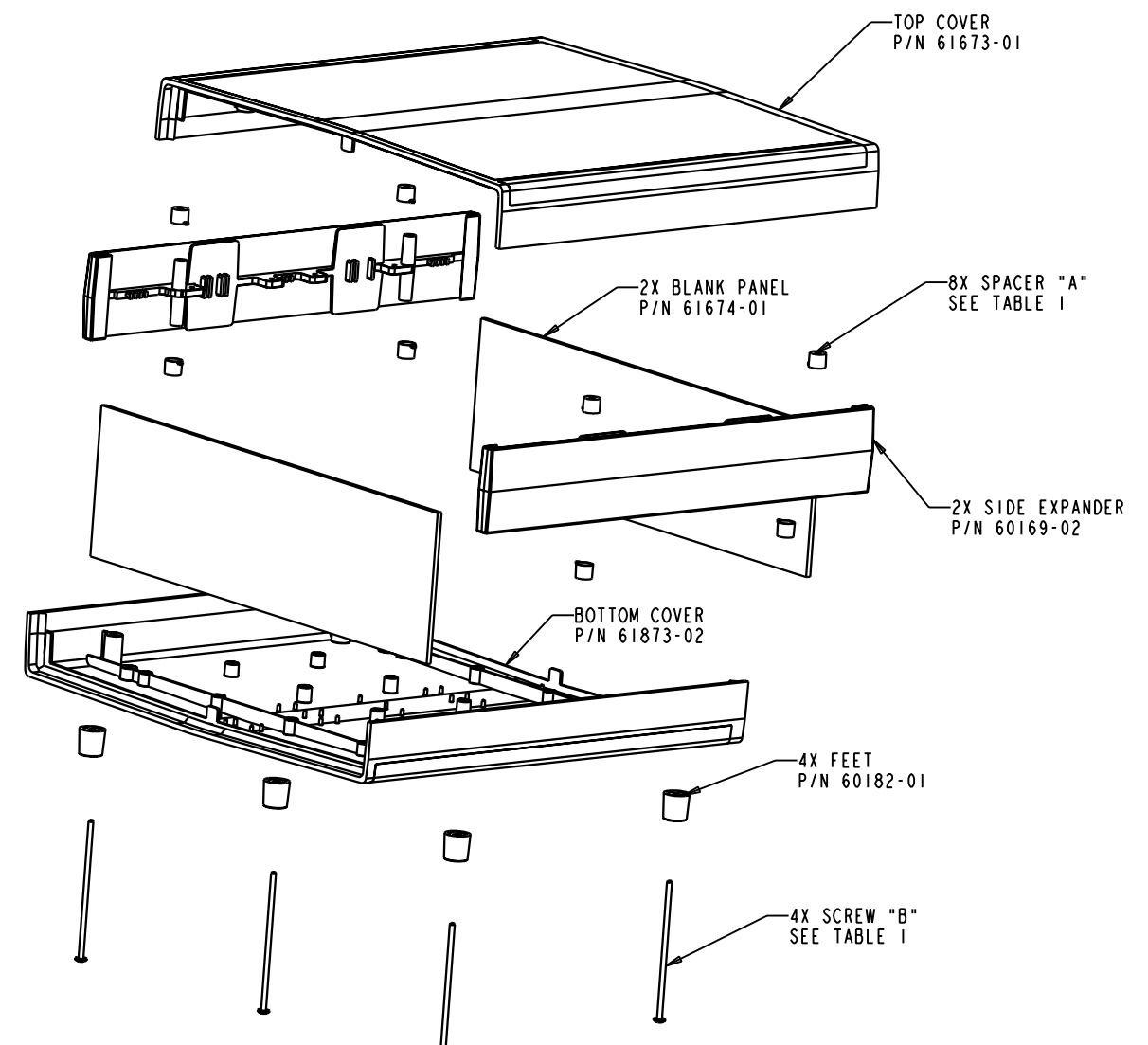


CLLP-300/CLLP-325



CLLP-350/CLLP-375

CLLP 375	60130-03	60163-12	79500
CLLP 350	60130-02	60163-12	79499
CLLP 325	60130-04	60163-04	79498
CLLP 300	-----	60163-04	62352
HOUSING TYPE	SPACER "A"	SCREW "B"	USER DIAGRAM NOTE 2

TABLE 1

NOTE

1. THE CLLP34 KIT WILL BUILD ALL HOUSINGS LISTED IN TABLE 1.
2. FOR DETAILED DIAGRAM AND CIRCUIT BOARD SIZE SEE USER DIAGRAM LISTED IN TABLE 1.

PACINTEC®
1-610-361-4231

CLLP34_KIT
SEE NOTE 1

VISIT **PACINTEC®**
ON THE WORLD WIDE WEB
www.pactecenclosures.com

COLOR / MATERIAL CODE		
COLOR	94HB	94VO
BLACK	000	028
P. C. BONE	039	060

DRAWING NUMBER	REV
83894	A

Mouser Electronics

Authorized Distributor

Click to View Pricing, Inventory, Delivery & Lifecycle Information:

[PacTec:](#)

[61674-01-028 CLLP-34 PANEL](#) [72494-510-039 DM-2 Bone Kit](#)