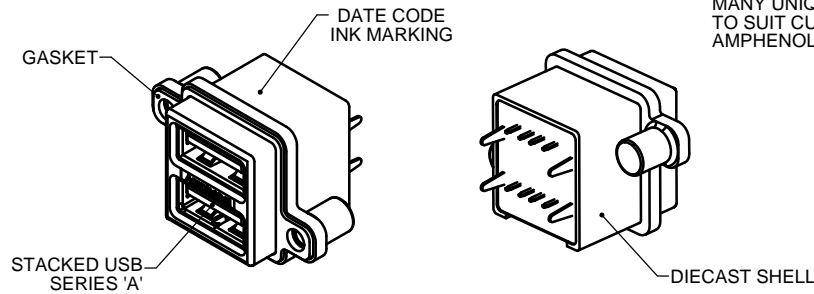
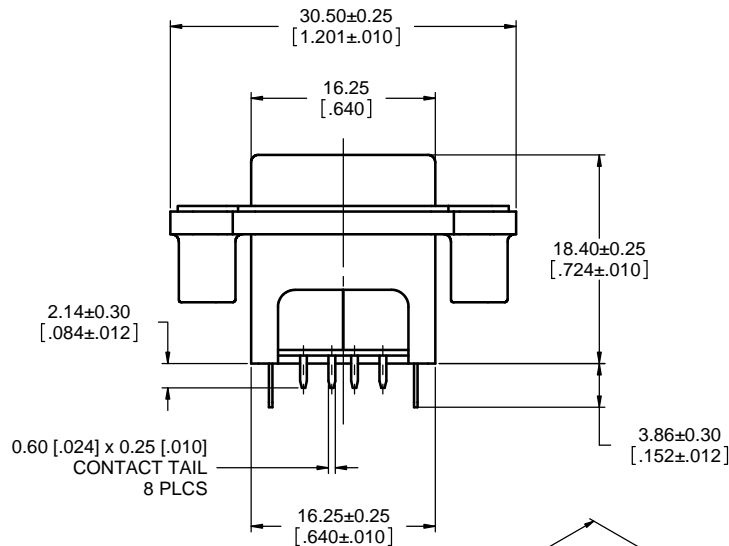


REVISIONS			
REV	DESCRIPTION, ECN, EAR NO.	DATE	APP'D
G	PRODUCT DRAWING (EAR 14057)	MAR21/12	K.L.
H	UPDATED PLATING NOTES	MAY4/12	A.G.

ORDERING CODE: MUSB-C511-XX

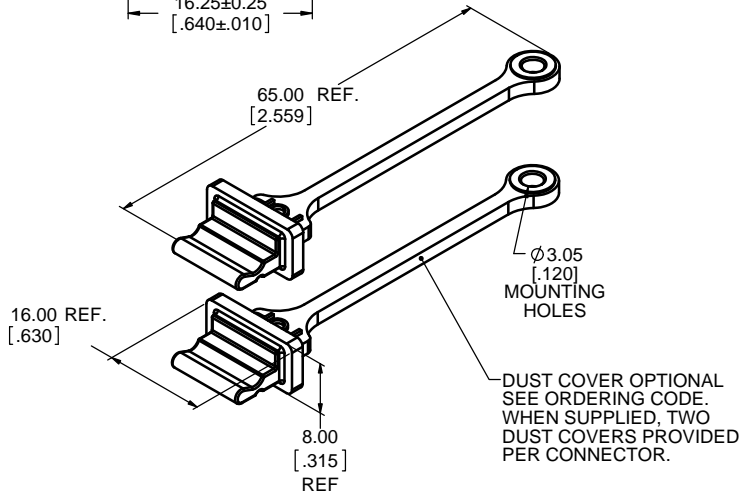
SERIES, RUGGED USB
 USB SERIES 'A' RECEPTACLE, STACKED, VERTICAL PCB TAIL
 THREAD OPTION
 0 = #4-40 UNC THREAD
 N = M3 x 0.5 THREAD
 DUST COVER OPTION
 0 = NO DUST COVER SUPPLIED
 1 = WITH GREY DUST COVERS SUPPLIED
 5 = WITH BLACK DUST COVERS SUPPLIED

SPECIAL CONNECTORS
 MANY UNIQUE FEATURES ARE READILY AVAILABLE TO SUIT CUSTOMER REQUIREMENTS. CONSULT WITH AMPHENOL CANADA FOR DETAILS.



NOTES:

- MATERIAL:**
 ALL MATERIALS ARE RoHS COMPLIANT PER EU DIRECTIVE 2002/95/EC AND AMENDMENTS
 • SHELL - DIECAST ZINC, NICKEL PLATED
 • CONTACTS - PHOSPHOR BRONZE WITH 0.76µm (30µ") MIN. GOLD OVER 1.27µm (50µ") MIN. NICKEL ON THE MATING AREA AND 2.54µm (100µ") MIN. TIN OVER NICKEL ON THE CONTACT TAILS
 • INSERTS - ENGINEERING THERMOPLASTIC, GLASS REINFORCED, UL FLAMMABILITY RATING 94V-0, COLOUR: BLACK
 • GASKET - SILICONE RUBBER, BLACK
 • USB SHIELD - COPPER ALLOY, NICKEL PLATED
 • DUST COVER - SILICONE RUBBER WITH NICKEL PLATED BRASS BUSHING. SEE ORDERING CODE FOR COLOUR OPTION.
- ENVIRONMENTAL PERFORMANCE PER IEC 60529 CODE IP67 FOR SEAL BETWEEN MATING AREA AND PCB SIDE OF CONNECTOR. GASKET PROVIDES SEAL TO INSIDE FACE OF ENCLOSURE PANEL.
- CURRENT RATING: 1.5 AMPERES
- CONTACT RESISTANCE: 30 MILLIOHMS MAXIMUM
- OPERATING TEMPERATURE: -40C TO +105C
- DUST COVERS MAY BE ORDERED SEPARATELY. SPECIFY
 • MUSB-2A111-014BP FOR GREY DUST COVER
 • MUSB-2A111-024BP FOR BLACK DUST COVER
 SEE SHEET 2 FOR APPLICATION VIEW.



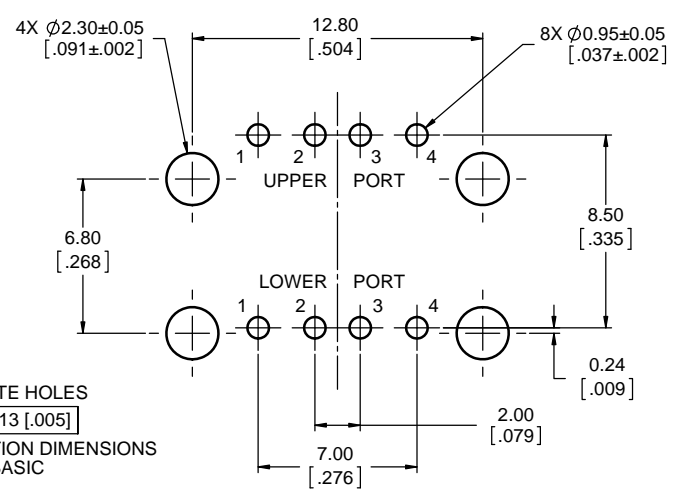
UNLESS SPECIFIED OTHERWISE	DRAWN	B.COPPING	MAR13/12
PRIMARY UNITS MILLIMETERS	CHECKED		
SECONDARY INCHES	M.E. APP'D		
REFERENCE IN PARENTHESES	Q.A. APP'D		
GENERAL TOLERANCES	DWG APPR.	K.LAMBIE	MAR16/12
1 DECIMAL PLACE	ENG. REL. NO.	EAR 14057	
2 DECIMAL PLACES ±0.15	REF.		
3 DECIMAL PLACES	THIRD ANGLE PROJECTION		
ANGULAR DEGREES	DO NOT SCALE DRAWING		

Amphenol Canada Corp.
 www.amphenolcanada.com
MUSB SERIES RUGGED USB RECEPTACLE, STACKED SERIES 'A' INTERFACE, VERTICAL PCB MOUNT, THREAD OPTION, DUST COVER OPTION, RoHS COMPLIANT

DWG. NO. **P-MUSB-C511-XX** REV **H**

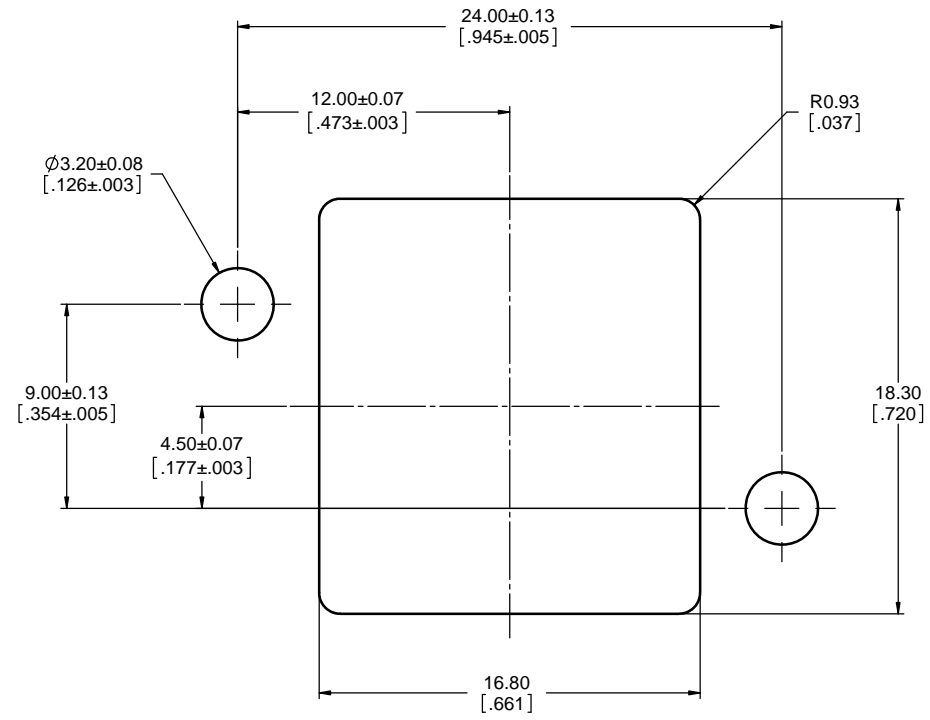
CODE ID NO. 03554 DWG SIZE: X SCALE: 3:1 SHEET 1 OF 2

REVISIONS			
REV	DESCRIPTION, ECN, EAR NO.	DATE	APP'D
G	PRODUCT DRAWING (EAR 14057)	MAR21/12	K.L.
H	UPDATED PLATING NOTES	MAY4/12	A.G.

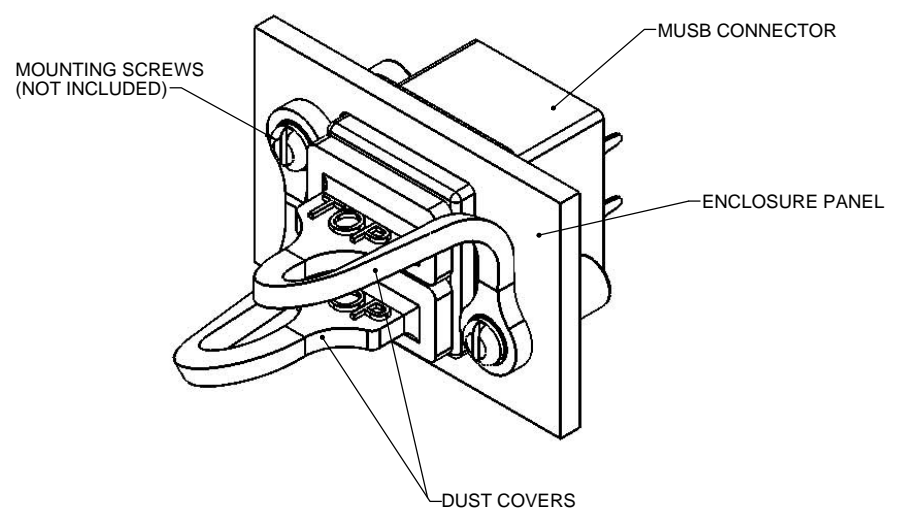


LOCATE HOLES
 $\varnothing 0.13$ [.005]
 POSITION DIMENSIONS ARE BASIC

RECOMMENDED PCB LAYOUT
 COMPONENT SIDE OF BOARD



RECOMMENDED PANEL CUTOUT
 OUTSIDE VIEW OF PANEL



DUST COVER APPLICATION



UNLESS SPECIFIED OTHERWISE	DRAWN	B.COPPING	MAR13/12
PRIMARY UNITS MILLIMETERS	CHECKED		
SECONDARY UNITS INCHES	M.E. APP'D		
REFERENCE IN PARENTHESES	Q.A. APP'D		
GENERAL TOLERANCES	DWG APPR.	K.LAMBIE	MAR16/12
1 DECIMAL PLACE	ENG. REL. NO.	EAR 14057	
2 DECIMAL PLACES ± 0.15	REF.		
3 DECIMAL PLACES	THIRD ANGLE PROJECTION		
ANGULAR DEGREES	DO NOT SCALE DRAWING		

Amphenol Canada Corp. www.amphenolcanada.com			
MUSB SERIES RUGGED USB RECEPTACLE, STACKED SERIES 'A' INTERFACE, VERTICAL PCB MOUNT, THREAD OPTION, DUST COVER OPTION, RoHS COMPLIANT			
DWG. NO.	P-MUSB-C511-XX		REV H
CODE ID NO. 03554	DWG SIZE: X	SCALE: 6:1	SHEET 2 OF 2

Mouser Electronics

Authorized Distributor

Click to View Pricing, Inventory, Delivery & Lifecycle Information:

[Amphenol:](#)

[MUSBC511N5](#) [MUSB-C511-00](#)