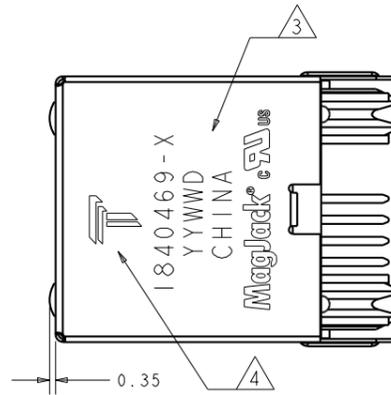
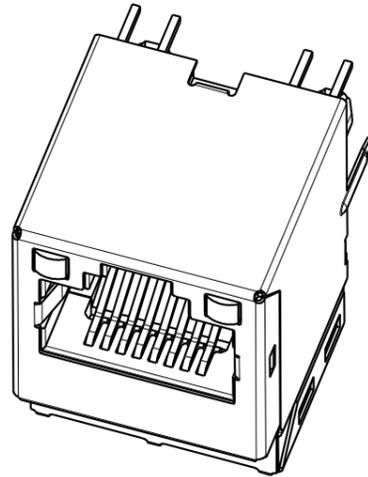


THIS DRAWING AND THE SUBJECT MATTER SHOWN THEREON ARE CONFIDENTIAL AND THE PROPERTY OF BEL/STEWART/TRP CONNECTOR AND SHALL NOT BE REPRODUCED, COPIED, OR USED IN ANY MANNER WITHOUT THE WRITTEN CONSENT OF TRP CONNECTOR.

PRODUCT MAY BE PROTECTED BY ONE OR MORE OF THE FOLLOWING US PATENTS:
 5736910 5939955 6425781 6428361 6554638 6840817 7123117
 7429195 7717749 7808751 6217391 6149050 7924130

REVISIONS				
P	LTR	DESCRIPTION	DATE	APVD
D		EC-1411035, LOGO CHANGE	19JAN2015	JC TY



1 MATERIALS:
 PLASTIC HOUSING: BLACK, THERMOPLASTIC FLAMMABILITY RATING UL 94V-0
 SHIELD: BRASS, PREPLATED WITH 0.76um MIN SEMI-BRIGHT NICKEL, POST DIPPED WITH 2.54um MIN SAC SOLDER ON SOLDER TAILS,
 CONTACTS: PHOSPHOR BRONZE, 1.27um MIN OVERALL NICKEL UNDERPLATE WITH SELECT 1.27um MIN GOLD AT MATING INTERFACE AND 2.54um MIN MATTE TIN ON SOLDER TAILS.
 ALL PC BOARDS: HIGH TEMP PCB, TG>170°C.
 LED: DIFFUSED EPOXY LENS, 0.50mm SQUARE CARBON STEEL WIREFRAME LEADS PREPLATED WITH 2.03um MIN SILVER OVER 1.02um MIN NICKEL OVER 1.02um MIN COPPER UNDERPLATE POST PLATED WITH 2.54um MIN TIN

2 MAGNETICS
 APPLICATION: 10/100 BASE-T, EXTENDED TEMPERATURE, PoE
 IMPEDANCE: 100 OHMS
 TURNS RATIO (CHIP:CABLE): TX = 1:1, RX = 1:1
 OPEN CIRCUIT INDUCTANCE (OCL): 350uH MIN @100kHz, 0.1VRMS,
 8mADC BIAS FROM -40°C TO +85°C, TX AND RX
 POE CURRENT: 350mADC MAX
 PERFORMANCE @ 25°C:
 INSERTION LOSS (IL): 1.1dB MAX FROM 0.5MHz TO 100MHz
 RETURN LOSS (RL): 18dB MIN FROM 0.5MHz TO 30MHz
 18-20LOG(f/30)dB MIN FROM 30.1MHz TO 60MHz
 12dB MIN FROM 60.1MHz TO 80MHz
 CROSSTALK ATTENUATION: 35dB MIN FROM 0.5MHz TO 40MHz
 33-20LOG(f/50)dB MIN FROM 40.1MHz TO 100MHz
 COMMON MODE REJECTION RATIO (CMRR): 30dB MIN FROM 0.5MHz TO 100MHz
 ISOLATION VOLTAGE: COMPLIES WITH IEEE802.3af 2003, PARA 33.4.1, ITEM a.

3 PART NUMBER, DATE CODE AND COUNTRY OF ORIGIN LOCATED IN APPROXIMATE AREA SHOWN. DATE CODE: YY IS YEAR, WW IS WORK WEEK, D IS DAY OF WEEK WITH SUNDAY=1

4 TRP CONNECTOR LOGO AND AGENCY APPROVAL LOGO, TO BE LOCATED IN APPROXIMATE AREA SHOWN.

5. OPERATING TEMP: FROM -40°C TO +85°C.

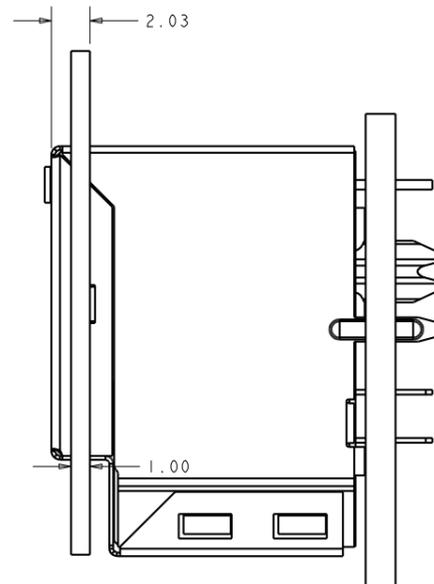
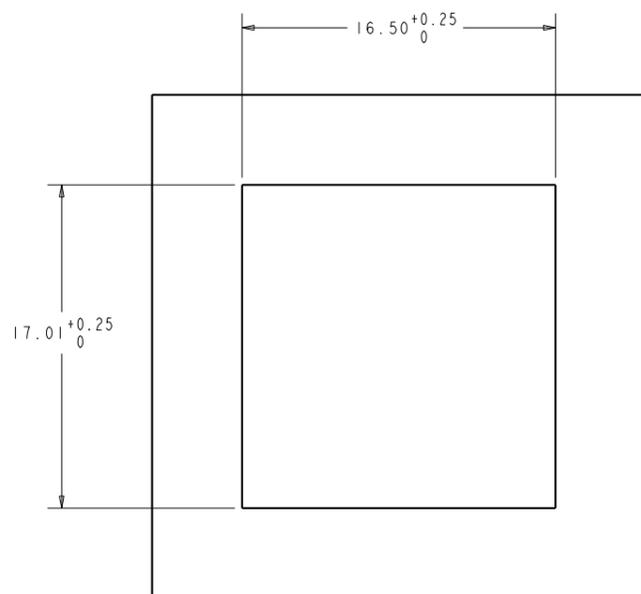
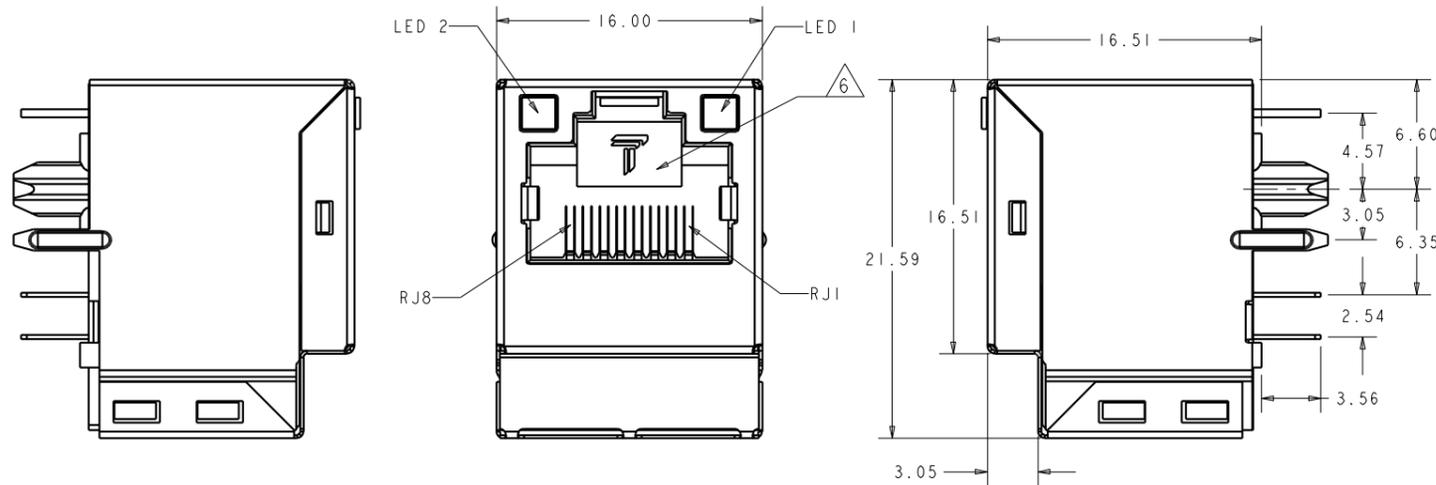
6 RJ45 CAVITY CONFORMS TO FCC RULES AND REGULATION PART 68 SUBPART F.

7 THE PARTS ARE RECOMMENDED FOR WAVE SOLDERING PROCESS, PEAK TEMPERATURE 260°C MAX. 10 SECONDS MAX.

8. LED IS DRIVEN WITH CONSTANT CURRENT AT APPROX 20mA.

DOMINANT WAVELENGTH(λ D)
 GREEN 568nm TYP.at IF=20mA
 YELLOW 588nm TYP.at IF=20mA

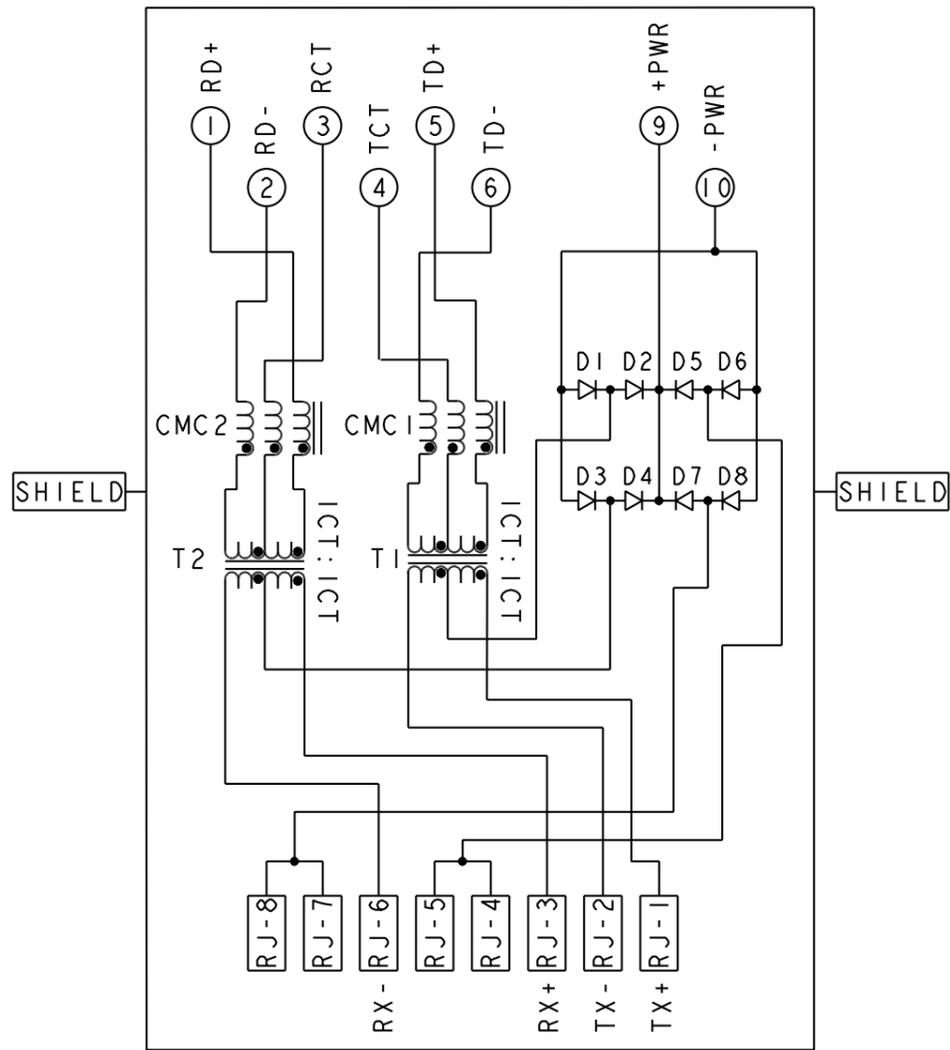
FORWARD VOLTAGE(VF):
 GREEN 2.2V TYP.at IF=20mA
 YELLOW 2.1V TYP.at IF=20mA



GRN/YEL	GRN/YEL	1840469-4
YELLOW	GREEN	1840469-3
GREEN	YELLOW	1840469-2
GREEN	GREEN	1840469-1
LED 1	LED 2	PART NUMBER

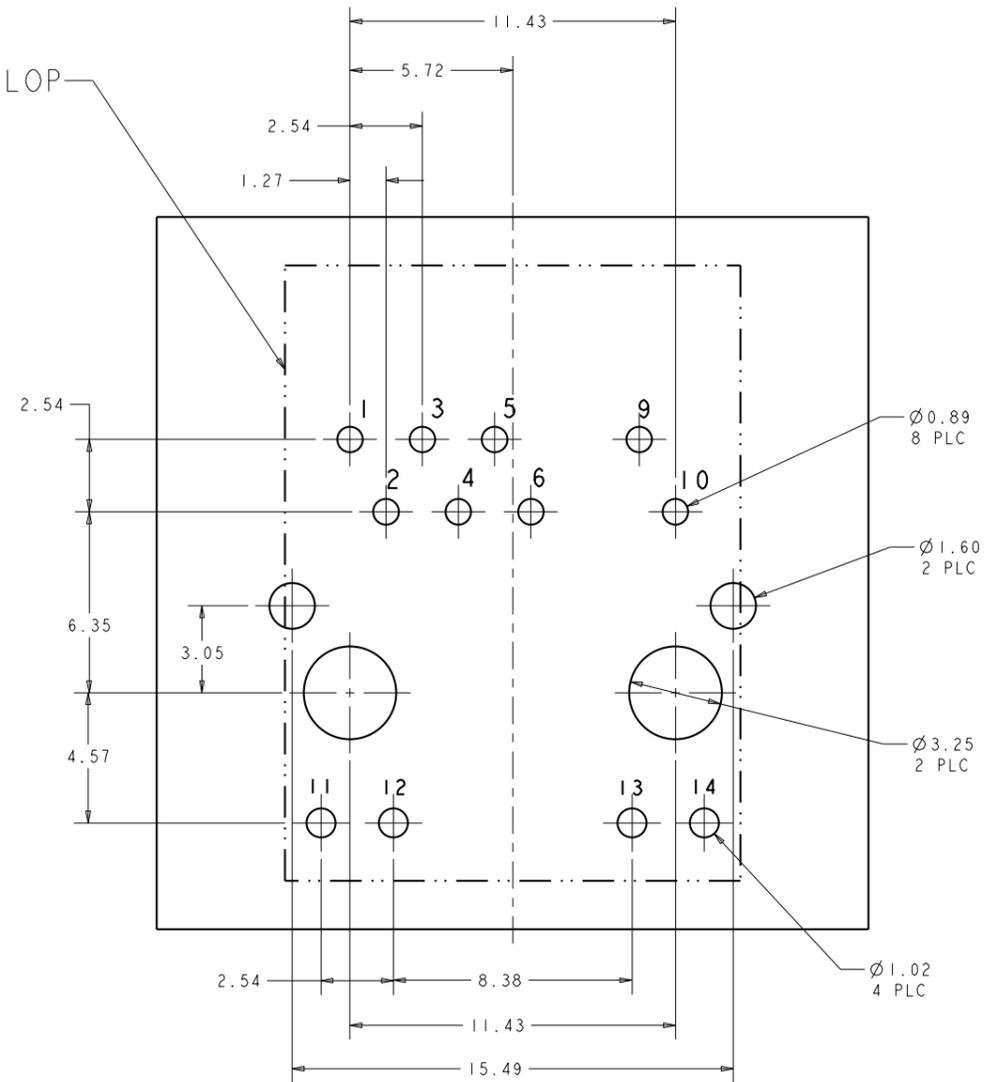
THIS DRAWING IS A CONTROLLED DOCUMENT.		DWN WESLEY.YI 25DEC2008	 trp CONNECTOR a bel group DONGGUAN CHINA
DIMENSIONS: mm		CHK KEITH ZHU 25DEC2008	
TOLERANCES UNLESS OTHERWISE SPECIFIED:		APVD TEDDY XIONG 25DEC2008	
0 PLC ±0.25 1 PLC ±0.25 2 PLC ±0.25 3 PLC ±0.25 4 PLC ±0.25 ANGLES ±° APPLICATION SPEC		MODEL NAME MAGJACK	
PRODUCT SPEC	SINGLE NON-POE	DESC IXI, MAGJACK, VERTICAL 7D52ET, 10/100 CIRCUIT, W/ LEDS	RESTRICTED TO
CUSTOMER DRAWING		SIZE A2	CAGE CODE C=1840469
SCALE 3:1		SHEET 1 OF 2	REV D

7D52ET 10/100 BASE-T POE CIRCUIT



DI-D8 = Rectifier Diode
 Forward Voltage, $V_f = 1.2V$ Max @ $I_f = 0.5A$
 Forward Current, $I_f = 0.5A$ Max
 Reverse Voltage, $V_r = 80V$ Max

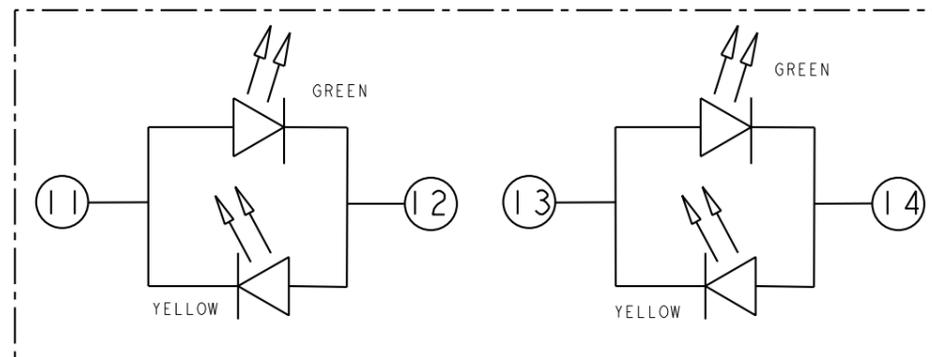
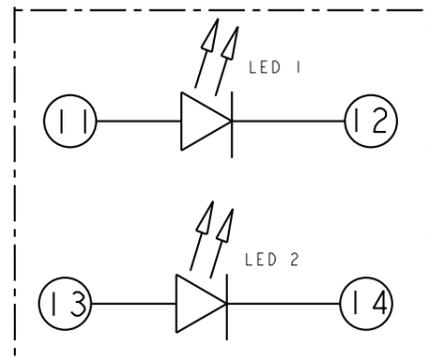
CONNECTOR ENVELOP



SUGGESTED PCB LAYOUT (TOL: ±0.05)
 (COMPONENT SIDE VIEW)

SINGLE COLOR LED

BI-COLOR LED



THIS DRAWING IS A CONTROLLED DOCUMENT.		DWN: WESLEY.YI 25DEC2008	 trp CONNECTOR a bel group DONGGUAN CHINA
DIMENSIONS: mm		CHK: KEITH.ZHU 25DEC2008	
TOLERANCES UNLESS OTHERWISE SPECIFIED:		APVD: TEDDY.XIONG 25DEC2008	
0 PLC ±0.25 1 PLC ±0.25 2 PLC ±0.25 3 PLC ±0.25 4 PLC ±0.25 ANGLES ±° APPLICATION SPEC ±°		MODEL NAME: MAGJACK	
PRODUCT SPEC		DESC: IXL MAGJACK, VERTICAL 7D52ET, 10/100 CIRCUIT, W/ LEDS	
		SIZE: A2	CAGE CODE: C-1840469
		CUSTOMER DRAWING	
		SCALE: 3:1	SHEET 2 OF 2 REV D

Mouser Electronics

Authorized Distributor

Click to View Pricing, Inventory, Delivery & Lifecycle Information:

Bel:

[1840469-2](#)