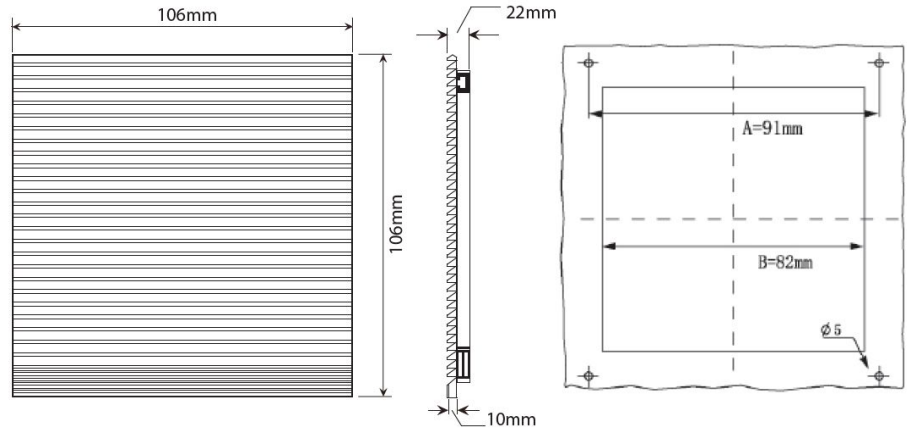


Louvered Fan Guards

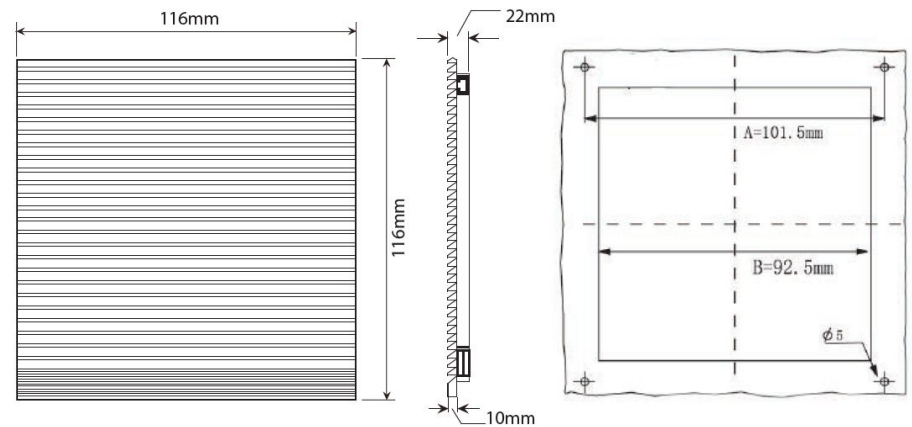


Used in Filter Kits for
80mm (3.15") & 92mm (3.62") Fans

LFG80 for 80mm fan



LFG92 for 92mm fan



Part Number	LFG80	LFG92
Frame Description	ABS Resin - flame resistant UL94V-0, with UV protection. Vents with screens at 45-degree angle. High Foam sealing edge - protection grade IP44-IP54 on LFG92 only	
Filter Mesh Material	Nylon Fiber - Synthetic Resin, filters to 8 microns.	
Color	Gray is standard. Black is available on request. To specify black add "B" to the part number. Minimums may apply.	
Hardware	1 bag - 4 ea. M4x14, nut	

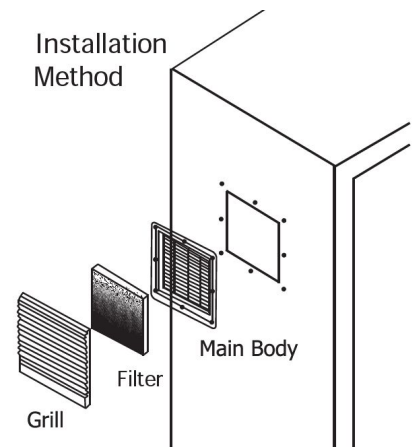
Assembled as Filter Kit



Filter Media 5-Packs

Part Number	Description
LFG80BF/PK	For LFG80
LFG92BF/PK	For LFG92

Installation Method



Mouser Electronics

Authorized Distributor

Click to View Pricing, Inventory, Delivery & Lifecycle Information:

Orion Fans:

[LFG92](#) [LFG92B](#) [LFG80BF/PK](#) [LFG92BF/PK](#)