

CUSTOMER PRINT

PART NUMBER: SF4282-XXSG-3ES

| | | | | |
|-----------|--------------|-------|--------------|-------|
| MFG. ENG. | APPROVED BY: | DATE: | APPROVED BY: | DATE: |
| | QA | | | |

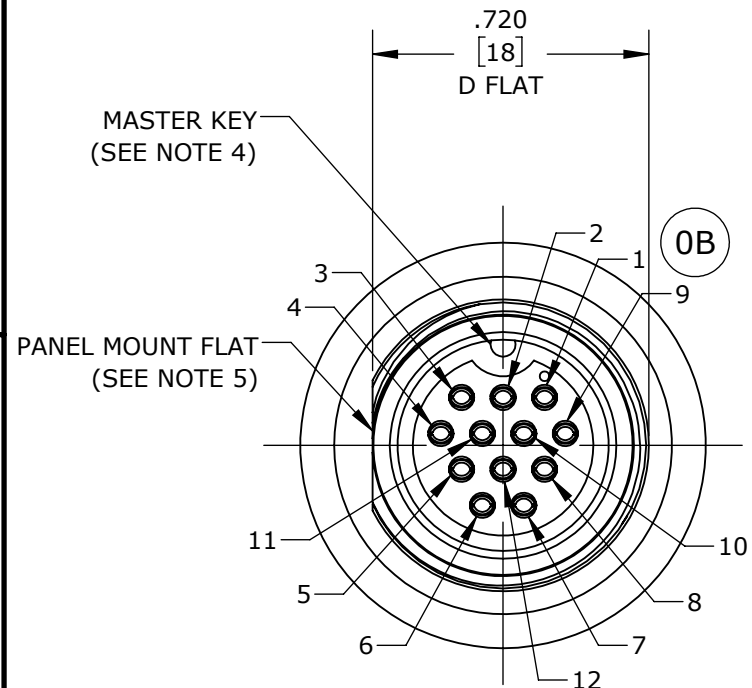
NOTES:

1. FINISHED CONNECTOR ASSEMBLIES ARE PACKED INTO A PARTITION BOX, 25 PIECES PER BOX. BOX IS LABELED WITH CONXALL PART NUMBER AND DATE CODE.
2. HEX NUT IS BULK PACKED IN POLY BAG. O-RING AND PROTECTIVE CAP ARE ASSEMBLED ONTO THE CONNECTOR.
3. TERMINATING END OF CONNECTOR IS FILLED WITH BLACK EPOXY.
4. MASTER KEY IS AT 12 O'CLOCK.
5. PANEL MOUNT FLAT IS AT 9 O'CLOCK.
6. SOLDER CUPS TO FACE MASTER KEY OF INSERT.
7. MATERIALS:
 HEX NUT & PANEL HOUSING- COPPER ALLOY, NICKEL PLATED PER MIL-C-26074
 PROTECTIVE CAP- ELASTOMER, BLACK
 SOCKET INSERT- THERMOPLASTIC, BLACK
 O-RING- ELASTOMER, BLACK
 CONTACTS- COPPER ALLOY, GOLD PLATED PER MIL-G-45204 OVER NICKEL PER QQ-N-290

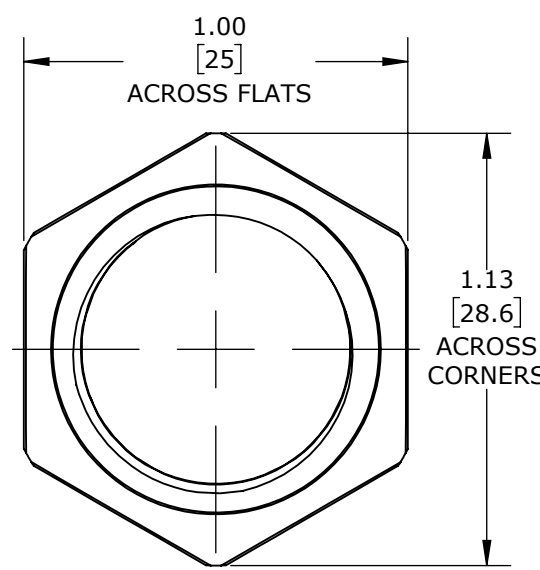
| PART NUMBER | POSITIONS | | | | | | | | | | | |
|-----------------|-----------|-------|-------|-------|-------|-------|-------|-------|-------|--------|--------|--------|
| | POS 1 | POS 2 | POS 3 | POS 4 | POS 5 | POS 6 | POS 7 | POS 8 | POS 9 | POS 10 | POS 11 | POS 12 |
| SF4282-2SG-3ES | --- | --- | --- | OPEN | --- | --- | --- | --- | OPEN | --- | --- | --- |
| SF4282-3SG-3ES | OPEN | --- | OPEN | --- | --- | --- | --- | --- | --- | --- | --- | OPEN |
| SF4282-4SG-3ES | OPEN | --- | OPEN | --- | OPEN | --- | --- | OPEN | --- | --- | --- | --- |
| SF4282-5SG-3ES | --- | OPEN | --- | OPEN | --- | OPEN | OPEN | --- | OPEN | --- | --- | --- |
| SF4282-6SG-3ES | OPEN | OPEN | --- | OPEN | OPEN | --- | OPEN | OPEN | --- | --- | --- | --- |
| SF4282-7SG-3ES | OPEN | OPEN | OPEN | OPEN | --- | OPEN | OPEN | --- | OPEN | --- | --- | --- |
| SF4282-8SG-3ES | OPEN | --- | OPEN | OPEN | OPEN | OPEN | OPEN | OPEN | OPEN | --- | --- | --- |
| SF4282-9SG-3ES | OPEN | OPEN | OPEN | OPEN | OPEN | OPEN | OPEN | OPEN | OPEN | --- | --- | --- |
| SF4282-10SG-3ES | OPEN | OPEN | OPEN | OPEN | OPEN | OPEN | OPEN | OPEN | OPEN | OPEN | --- | --- |
| SF4282-11SG-3ES | OPEN | OPEN | OPEN | OPEN | OPEN | OPEN | OPEN | OPEN | OPEN | OPEN | OPEN | --- |
| SF4282-12SG-3ES | OPEN | OPEN | OPEN | OPEN | OPEN | OPEN | OPEN | OPEN | OPEN | OPEN | OPEN | OPEN |
| SF4282-XXSG-3ES | | | | | | | | | | | | |

NUMBER OF CONTACTS (2 THROUGH 12)

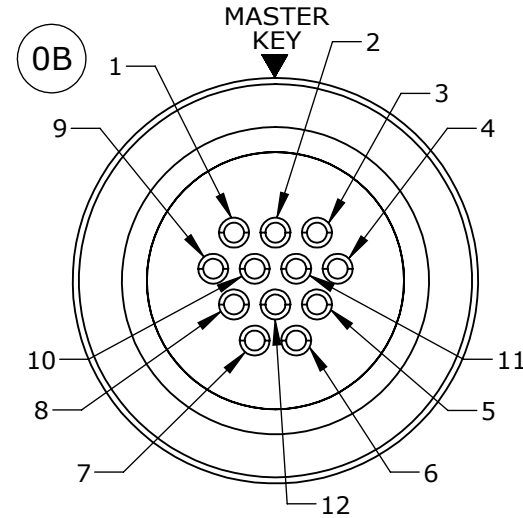
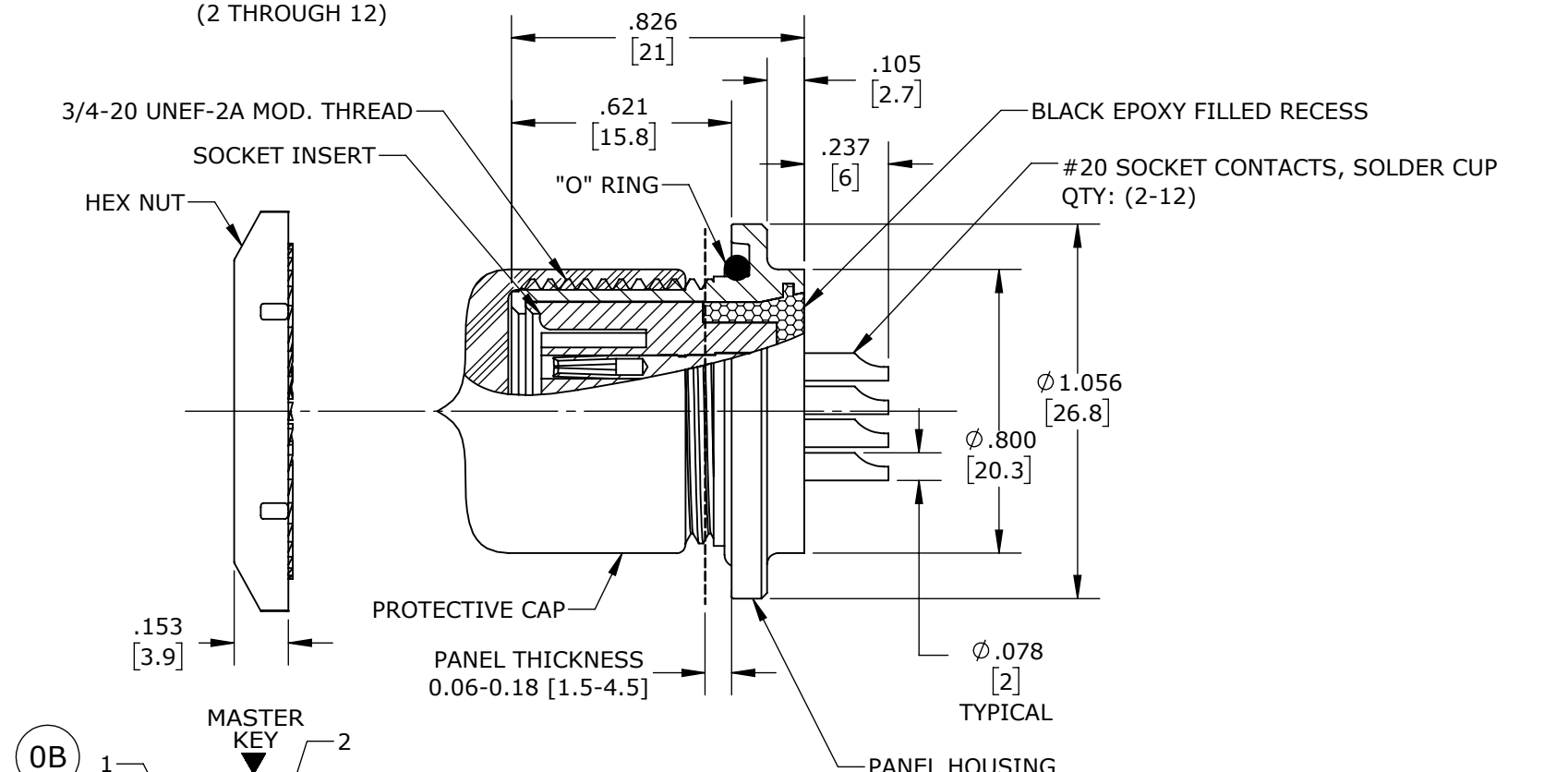
"---" HALF CLOSED FROM MATING END



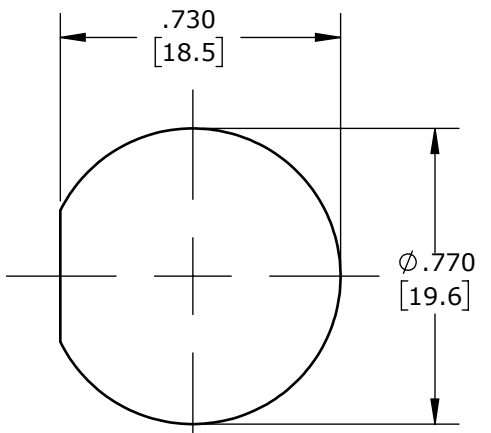
FACE VIEW
(SF4282-12SG-3ES SHOWN)



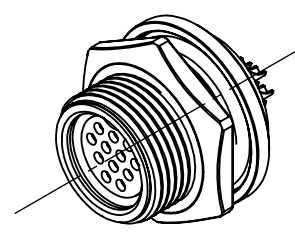
HEX NUT
(UNASSEMBLED)



WIRE VIEW
(SF4282-12SG-3ES SHOWN)



RECOMMENDED PANEL CUT-OUT



ASSEMBLED VIEW
(SCALE 1:1)
(SF4282-12SG-3ES SHOWN WITHOUT PROTECTIVE CAP)

DIMENSIONS IN BRACKETS [] ARE METRIC, mm.

RoHS COMPLIANT

| | | | |
|--|-------|---|--|
| 0C | JGK | 12/20/18 | REMOVED "E" DESIGNATION IN ALL P/N'S. |
| 0B | JGK | 03/23/18 | UPDATED HOLE PIN-OUT PATTERN TO MATCH CON-X PANEL PIN-OUT. |
| 0A | JGK | 12/05/17 | DRAWING CREATED FOR PROJECT #15019. |
| REV. | INIT. | DATE | DESCRIPTION |
| | JGK | 12/05/17 | |
| ALL INFORMATION ILLUSTRATED IS THE PROPERTY OF CONXALL CORPORATION. UNAUTHORIZED DUPLICATION OR DISTRIBUTION OF THIS DOCUMENT IS PROHIBITED. | | | 601 E. WILDWOOD VILLA PARK, IL 60181 |
| ALL UNITS ARE IN FEET, INCHES, FRACTION OF INCHES AND DECIMALS. UNLESS OTHERWISE SPECIFIED TOLERANCES: 3 PLACE DECIMALS ±.005 ANGLES ±1° FRACTIONS ±1/16 | | | |
| APPROVED BY: | | TITLE: SHIELDED PANEL ASSEMBLY (2-12) #20 SOLDER CUP, SOCKET CONTACTS SHIELDED MULTI-CON-X STANDARD PRODUCT | |
| SCALE: 2:1 | | SIZE: B | SHEET: 1 OF 1 |
| FILE: SAME AS P/N | | DIRECTORY: SLW | PART NUMBER: SF4282-XXSG-3ES |
| | | | REV: 0C |

Mouser Electronics

Authorized Distributor

Click to View Pricing, Inventory, Delivery & Lifecycle Information:

Switchcraft:

[SF4282-10SG-3ES](#) [SF4282-11SG-3ES](#) [SF4282-12SG-3ES](#) [SF4282-2SG-3ES](#) [SF4282-3SG-3ES](#) [SF4282-4SG-3ES](#) [SF4282-5SG-3ES](#) [SF4282-6SG-3ES](#) [SF4282-7SG-3ES](#) [SF4282-8SG-3ES](#) [SF4282-9SG-3ES](#)