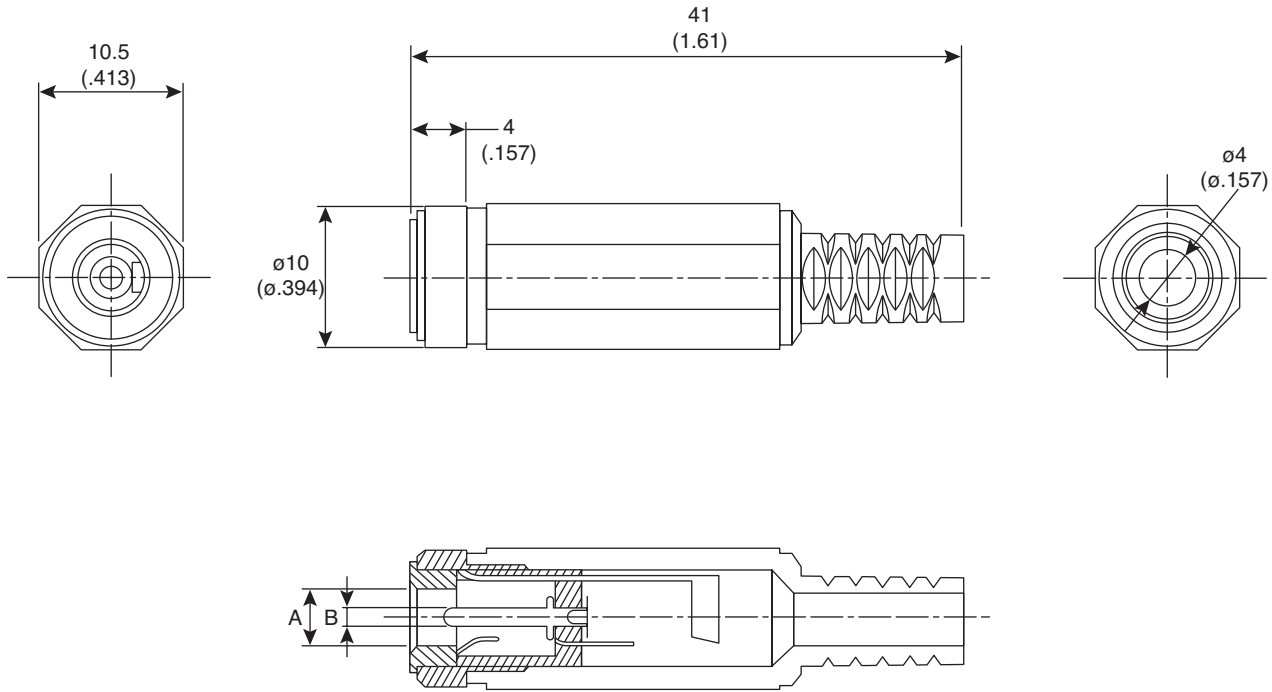


DC Power Jack

163-0309-EX, 163-0308-EX



DC Power Jack



DIMENSIONS: mm (in.)

Mouser Stock No.	A	B
163-0308-EX	$\phi 4$	$\phi 1.3$
163-0309-EX	$\phi 3.6$	$\phi 1.3$

SPECIFICATIONS	
Rating:	12VDC .5A
Breakdown Voltage:	500VAC for 1 minute
Insulation Resistance:	100M Ω min. @ 500VDC
Contact:	Nickel Plated Copper
Terminals:	Nickel Plated Brass
Body:	PA
RoHS Compliant by Exemption	

163-0309-EX, 163-0308-EX

Date Last Revised: 02-28-08

Available from Mouser Electronics
1-800-346-6873 / www.mouser.com

KC-300841

Specifications are subject to change without notice. No liability or warranty implied by this information. Environmental compliance based on producer documentation.

Mouser Electronics

Authorized Distributor

Click to View Pricing, Inventory, Delivery & Lifecycle Information:

[Kobiconn:](#)

[163-0308-EX](#) [163-0309-EX](#)