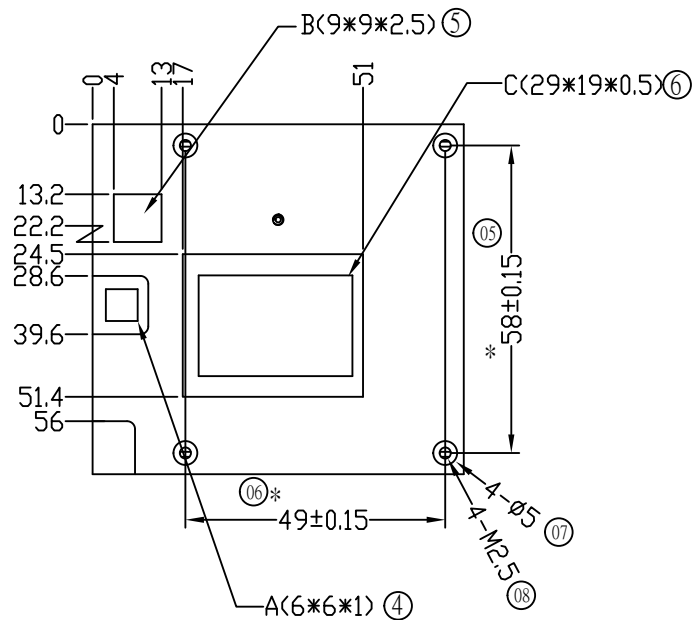
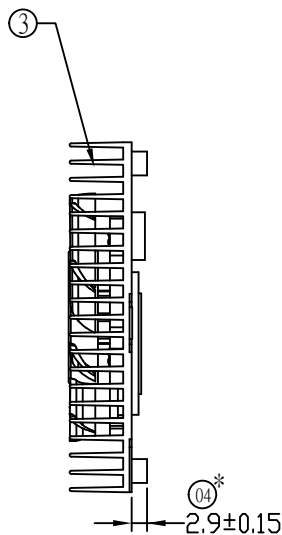
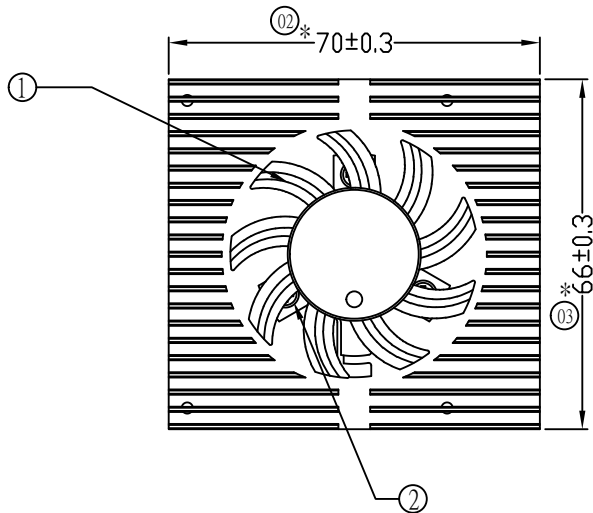
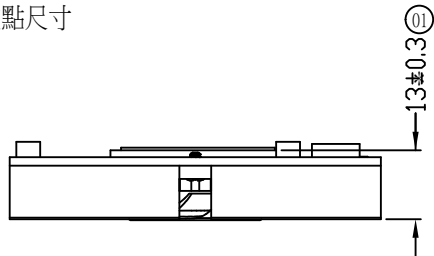


ITEM	DATE	REMARK	DESIGNED	APPROVED
1				
2				
3				

NOTE

- 1.毛邊在0.1mm以下
- 2.重點管制尺寸: ①~⑧
- 3.成品不可有裂痕,不可變形,不可有刮痕
- 4.表面不可髒污,不可有料屑,色澤需均勻
- 5.注意包裝方式,不可造成成品損傷
- 6.*標註符號為重點尺寸



6	PAD-C	GR-HM	1	
5	PAD-B	MA500	1	
4	PAD-A	MA500	1	
3	Heatsink	AL6063 陽極原色	1	
2	Screw		3	
1	FAN		1	
No.	名稱	規格	數量	備註

額定電壓(V)	5
最大電流(A)	0.13
轉速(RPM)	5000±10%
線規	UL1061 28#
項目	規格

GENERAL TOL. >0 ±0.1 >10 ±0.2 >50 ±0.3 >200 ±0.5 >500 ±0.8 ANGLE TOL. ±0.5°	MATERIAL: See Note	PART No. 175920000W			AAEON Technology Inc. An ALIS Company	
	SPEC.: See Note	DWG No. 175920000W				
FINISH: See Note	UNIT: MM	APPROVED	CHECKED	DESIGNED	NAME COOLER	
	SCALE:	2017.04.17	Emma	2017.04.17	MODEL No. UP-APL01	
		2017			REV.	SHEET: 1 / 1

Mouser Electronics

Authorized Distributor

Click to View Pricing, Inventory, Delivery & Lifecycle Information:

[AAEON:](#)

[175920000W](#) [UPS-APL01-COOLER-A01](#) [175920001A](#)