



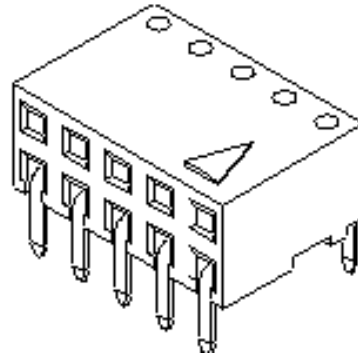
Part Number : [901522220](#)

Product Description : 2.54mm Pitch C-Grid III PC Board Connector, Dual Row, Right-Angle, Straight PCB Pins 0.38µm Gold (Au) Selective, 20 Circuits

Series Number : 90152

Status : Active

Product Category : PCB Headers and Receptacles



Documents & Resources

Drawings

[Drawing 901522220_sd.pdf](#)

[Packaging Design Drawing PK-90152-001-001.pdf](#)

3D Models and Design Files

[3D Model 901522220_stp.zip](#)


Specifications

[Application Specification 901190001-AS-000.pdf](#)

[Product Specification PS-99020-0001-001.pdf](#)

Product Environment Compliance

Compliance

GADSL/IMDS	Compliant with Exemption 44; 34; 33
China RoHS	
EU ELV	Not Relevant
Low-Halogen Status	Not Low-Halogen per IEC 61249-2-21
REACH SVHC	Not Contained per ED/71/2019 (16 July 2019)
EU RoHS	Compliant per EU 2015/863

Multiple Part Product Compliance Statements

- Eu RoHS
- REACH SVHC
- Low-Halogen

Multiple Part Industry Compliance Documents

- IPC 1752A Class C
- IPC 1752A Class D
- Molex Product Compliance Declaration
- IEC-62474
- chemSHERPA (xml)

EU RoHS Certificate of Compliance

Part Details

General

Status	Active
Category	PCB Headers and Receptacles
Series	90152
Description	2.54mm Pitch C-Grid III PC Board Connector, Dual Row, Right-Angle, Straight PCB Pins 0.38µm Gold (Au) Selective, 20 Circuits
Application	Board-to-Board, Signal
Component Type	PCB Receptacle
Product Family	C-Grid Connector Products
Product Name	C-Grid III
UPC	800753673106

Agency

CSA	LR19980
-----	---------

Electrical

Current - Maximum per Contact	3.0A
Grounding to PCB	No
Voltage - Maximum	350V

Physical

Circuits (Loaded)	20
Circuits (maximum)	20
Color - Resin	Black
Glow-Wire Capable	No
Guide to Mating Part	No

Keying to Mating Part	None
Lock to Mating Part	No
Material - Metal	Phosphor Bronze
Material - Plating Mating	Gold
Material - Plating Termination	Tin
Material - Resin	Polyester
Net Weight	2.081/g
Number of Rows	2
Orientation	Right Angle
Packaging Type	Tube
PC Tail Length	2.90mm
PCB Locator	No
PCB Retention	None
PCB Thickness - Recommended	1.60mm
Pitch - Mating Interface	2.54mm
Pitch - Termination Interface	2.54mm
Plating min - Mating	0.381µm
Plating min - Termination	3.048µm
Polarized to PCB	No
Temperature Range - Operating	-55° to +125°C
Termination Interface Style	Through Hole

Solder Process Data

Lead-Free Process Capability	WAVE
------------------------------	------

Mates With / Use With

Mates with Part(s)

Description	Part Number
C-Grid III Right-Angle Dual Row Headers	<u>90122</u>
C-Grid III Vertical Dual Row Headers	<u>90131</u>