

# Incandescent Indicators for Translucent Panel Edge Lighting

## for use with MIL-P-7788 Plastic Panels

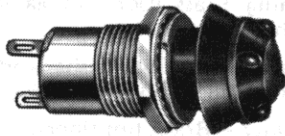
FOR FRONT MOUNTING IN 15/32" CLEARANCE HOLE



**T-1 3/4  
MIDGET  
FLANGE BASE**

See lamp ratings  
on page J.

**MS25010 – REVISION D  
MIL-L-3661B**



271-8430-0111-702  
MS25010C11B  
LH92/1; LC34EN2/DO2

Meet all applicable requirements of  
MIL-L7806, MIL-L-3661B & MS25010 – Revision D.

**NOTE:** Revision E dated 5 February 1971 made MS25010 inactive. Assemblies with the Type C Indicator Base were superseded by LH92/1 and LC34 Series per MIL-L-3661 /51 and /34. No superseding assemblies were offered for those using the Type A and B Base. However, due to the popularity of these MS assemblies and to facilitate your future procurement, we have continued to list these assemblies, the comparable Military Type designations and the Dialight Part Numbers.

### TWO TERMINALS – FULLY INSULATED

These indicators are designed to emit light through a colored filter radially into the plastic plate. A resilient light seal washer (light trap) insures against light loss at the front of the panel.

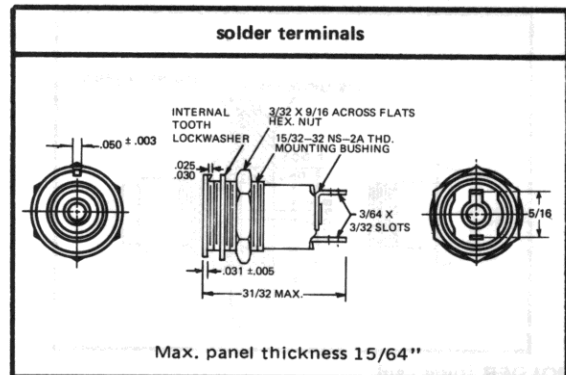
### MATERIALS AND FINISHES

- **Mounting Bushing:** Brass, cadmium plated with yellow iridescent chromate finish.
- **Hardware:** Internal-tooth lockwasher and hex mounting nut— Steel, cadmium plated with yellow iridescent chromate finish.
- **Terminals:** Solder – Brass, hot-tinned, with elongated slots.

**Anti-rotation Notch** on face of flange prevents rotation of unit while nut is being tightened.

Note: On all units, the shank of the lens holder is crimped in 3 evenly spaced places to secure the lamp.

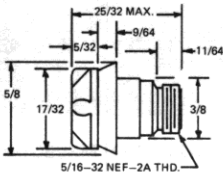
### QPL LISTED



### HOLDER (filter cap) ASSEMBLY PART NUMBERS

### BASE PART NUMBERS

| Part number | MIL-L-3661 number | Top color | Filter color | Light seal washer-opaque | COMPLETE ASSEMBLY PART NUMBERS |                            |
|-------------|-------------------|-----------|--------------|--------------------------|--------------------------------|----------------------------|
|             |                   |           |              |                          | Part number ■                  | * Military Std. Dwg. No. ■ |
| 271-0111    | LC34EN2/DO2       | Black     | Red          | Black                    | 271-8430-0111-702              | MS25010C11B                |
| 271-0171    | LC34CN2/DO2       | Black     | Clear        | Black                    | 271-8430-0171-702              | MS25010C12B                |
| 271-3111    | LC34EN2/EN2       | Red       | Red          | Black                    | 271-8430-3111-702              | MS25010C13B                |
| 271-3171    | —                 | Red       | Clear        | Black                    | 271-8430-3171-702              | MS25010C14B                |
| 271-0212    | LC34EN2/SO2       | Gray      | Red          | Gray                     | 271-8430-0212-702              | MS25010C15B                |
| 271-0272    | LC34CN2/SO2       | Gray      | Clear        | Gray                     | 271-8430-0272-702              | MS25010C16B                |



\* To designate an assembly by MS number complete with MS25237-327 or MS25237-328 lamp requires the call out and addition of the lamp number to the MS number suffix.

Examples: MS25010C11B327; MS25010C14B328. There is no MS designation of the assembly complete with other lamps listed.

■ The complete assembly will be marked with MS part number for Mounting Base only.

Part numbers shown in gray are normally in inventory at your Dialight Distributor.