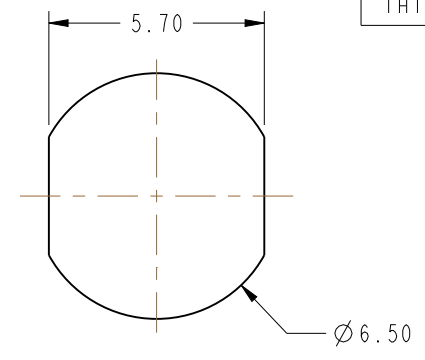


NOTES:

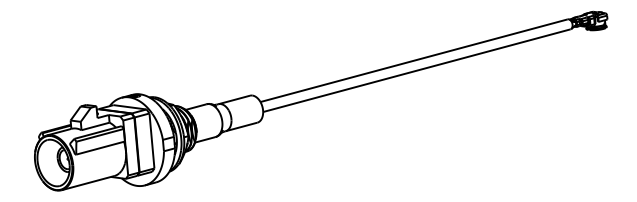
1. MATERIALS AND FINISHES:
 - FAKRA SMB PLUG: BODY - ZINC ALLOY, NICKEL PLATING
CENTER CONTACT - BERYLLIUM COPPER, GOLD PLATING
 - AMC PLUG: BODY - PHOSPHOR BRONZE, SILVER PLATING
CENTER CONTACT - PHOSPHOR BRONZE, GOLD PLATING
 - CABLE: 1.37MM MICRO-COAX
2. ELECTRICAL :
 - A. IMPEDANCE: 50 OHM
3. MECHANICAL:
 - A. RECOMMENDED LOCKWASHER TORQUE: 1.13 N-M [10 IN-LBS]
4. PACKAGING:
 - A. QUANTITY: SINGLE PACK
 - B. MARKING: BAG TO BE MARKED
"AMPHENOL RF, 95-820-109-XXX, AND DATE CODE"

THIRD ANGLE PROJ.

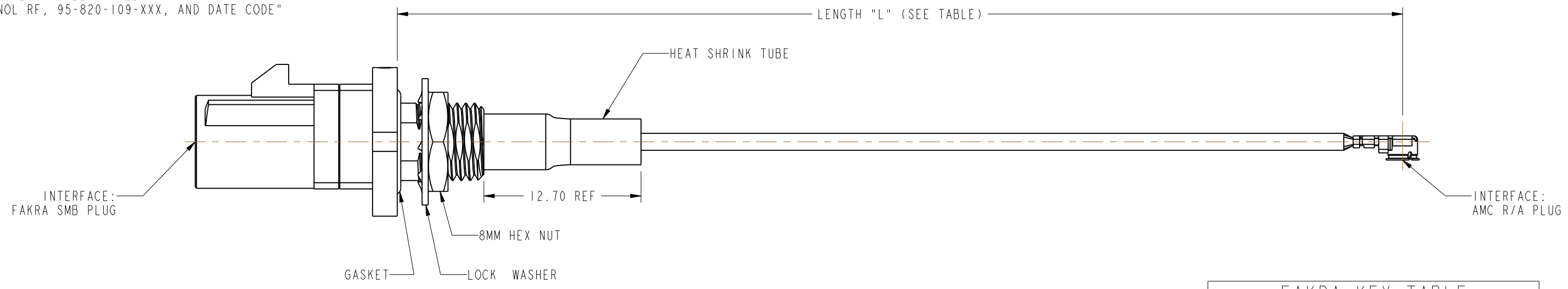
REVISIONS				
REV	DESCRIPTION	DATE	ECN	APPR
A	RELEASE TO MFG.	12-FEB-18	06921	BMG
B	FAKRA KEY TABLE ADDED	23-Aug-18	08941	KR



RECOMMENDED MOUNTING HOLE DIMENSIONS



SCALE 1.000



PART NUMBER TABLE	
PART NUMBER	LENGTH "L" MM [IN]
95-820-109-05Y	50.00±5.00 [1.97±.20]
95-820-109-10Y	100.00±5.00 [3.94±.20]
95-820-109-15Y	150.00±5.00 [5.91±.20]
95-820-109-20Y	200.00±5.00 [7.87±.20]
95-820-109-25Y	250.00±5.00 [9.84±.20]
95-820-109-30Y	300.00±5.00 [11.81±.20]

ADDITIONAL LENGTHS AND FAKRA KEY CODES AVAILABLE BY CHANGING XXX TO DESIRED LENGTH IN MM AND FAKRA KEY CODE. CONTACT AMPHENOL RF MARKETING FOR QUOTE. EXAMPLE: -09B IS 90MM WITH FAKRA KEY CODE "B"

FAKRA KEY TABLE			
KEY CODE	ASSEMBLY PART #	COLOR	RAL NO.
A	95-820-109-XXA	JET BLACK	9005
B	95-820-109-XXB	CREAM	9001
C	95-820-109-XXC	SIGNAL BLUE	5005
D	95-820-109-XXD	CLARET VIOLET	4004
E	95-820-109-XXE	LEAF GREEN	6002
F	95-820-109-XXF	NUT BROWN	8011
G	95-820-109-XXG	BLUE GREY	7031
H	95-820-109-XXH	HEATHER VIOLET	4003
I	95-820-109-XXI	BEIGE	1001
K	95-820-109-XXK	CURRY	1027
L	95-820-109-XXL	CARMINE RED	3002
M	95-820-109-XXM	PASTEL ORANGE	3003
N	95-820-109-XXN	PASTEL GREEN	6019
Z	95-820-109-XXZ	WATER BLUE	5021

DESIGN REQUIREMENTS:

- | | |
|---|--|
| <input checked="" type="checkbox"/> FREQUENCY: DC TO 6 GHz | <input checked="" type="checkbox"/> CONTINUITY |
| <input checked="" type="checkbox"/> VSWR : 1.30 MAX @ 2 GHz
1.50 MAX @ 6 GHz | <input checked="" type="checkbox"/> HI-POT :200 VRMS |
| <input type="checkbox"/> INS. LOSS ----- dB MAX | <input type="checkbox"/> OTHER |

CUSTOMER OUTLINE DRAWING
ALL OTHER SHEETS ARE FOR INTERNAL USE ONLY

UNLESS OTHERWISE SPECIFIED, DIMENSIONS ARE IN METRIC AND TOLERANCES ARE: <0.5mm ± 0.05mm 0.5 - 6mm ± 0.1mm 6 - 30mm ± 0.2mm 30 - 120mm ± 0.3mm ANGLES ±1°	MATERIAL	DRAWN	DATE	TITLE		Amphenol RF www.amphenolrf.com
	SEE NOTES	K. SONG	26-FEB-18	IP-67 FAKRA STR SMB PLUG TO AMC R/A PLUG ON 1.37MM CABLE, VARIOUS LENGTH		
NOTICE - These drawings, specifications, or other data (1) are, and remain the property of Amphenol corp. (2) must be returned upon request; and (3) are confidential and not to be disclosed to any person other than those to whom they are given by Amphenol Corp. the furnishing of these drawings, specifications, or other data by Amphenol Corp., or to any other person to anyone for any purpose is not to be regarded by implication or otherwise in any manner licensing, granting rights to permitting such holder or any other person to manufacture, use or sell any product, process or design, patented or otherwise, that may in any way be related to or disclosed by said drawings, specifications, or other data.	REFERENCE	ENGINEER	DATE	SCALE: 3.0:1.0 SHEET 2 OF 2		DRAWING NO. 95-820-109-XXY
	EAR# 8550	B. GREENBAUM	16-OCT-17	DWG SIZE B		ITEM NO. 95-820-109-XXY
	REF: TRUE	APPROVED	S. HSIEH	DATE	REV B	PART NO. 95-820-109-XXX
	CONFIGURATION LEVEL: In Work	CAD FILE	27-FEB-18			
FINISH						