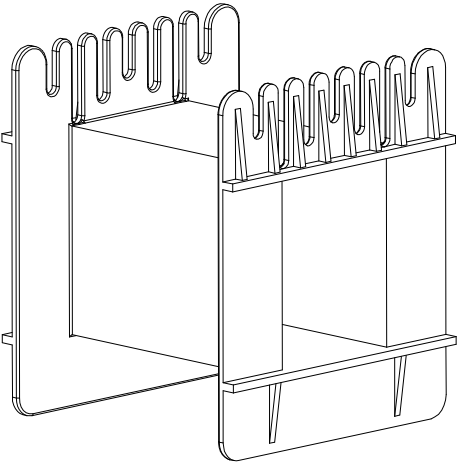
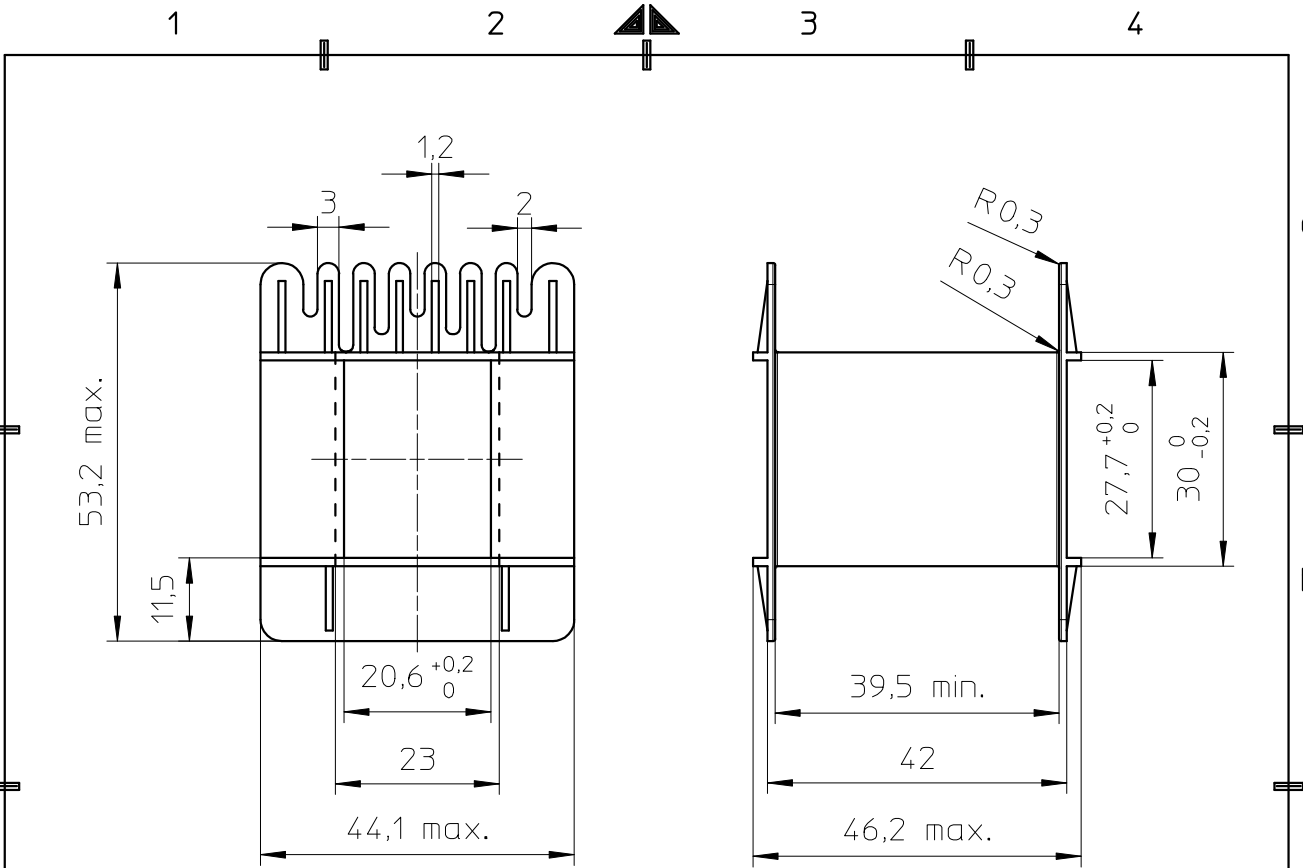
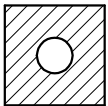
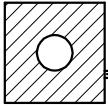


FERROXCUBE



Coil former material: PET T102G30 (color: black)
 UL file number E107536 - UL94V-0

Max. operating temperature: acc. to IEC 60 085 class B, 130°C
 Winding area: 394 mm
 Mean length of turn: 150 mm.

CLASS.NO.		CP-E65-1S-T		4322 021 0452		1 09-04-04	
NAME NAAM		M.Veekens		11 SH BL.		112 - 001 010	
CHECK CONTR.		DAT. 09-04-04		Property of Eigendom van		© FERROXCUBE 2000	
						A4	