

# XB5PUSB3

Harmony XB5, Panel mounted USB 3.0 port, plastic, Ø22, for USB interface jack type A



## Main

Range of Product	Harmony XB5
Product or Component Type	Panel mounted USB port
Device short name	XB5P

## Complementary

Sale per indivisible quantity	1
Mounting diameter	0.87 in (22 mm)
Thickness	0.24 in (6 mm) without protection cover 0.06...0.20 in (1.5...5 mm) with protection cover plastic 0.06...0.20 in (1.5...5 mm) with protection cover rigid plastic 0.06...0.10 in (1.5...2.5 mm) with protection cover metal
Bezel material	Plastic
Fixing collar material	Plastic
Integrated connection type	USB 3.0 type A
Minimum number of matings	1500 cycles
IP degree of protection	Front IP20 IEC 60529 Back IP20 IEC 60529
Ambient Air Temperature for Operation	-40...158 °F (-40...70 °C)
Ambient Air Temperature for Storage	-40...158 °F (-40...70 °C)
Tightening torque	13.28 lbf.in (1.5 N.m)
Vibration resistance	5.35 gn15 min per axis
Shock resistance	30 gn 11 ms 3 chocks in each direction X, Y and Z
Standards	USB 3.0
Product Certifications	CSA UL Listed
Height	1.10 in (28 mm)
Width	1.10 in (28 mm)
Depth	1.73 in (44 mm)
Net Weight	0.04 lb(US) (0.0169 kg)

## Ordering and shipping details

Category	00028-DATA PORTS
Discount Schedule	CS2
GTIN	3606481194206
Nbr. of units in pkg.	1
Package weight(Lbs)	0.56 oz (16.0 g)
Returnability	Yes
Country of origin	DE

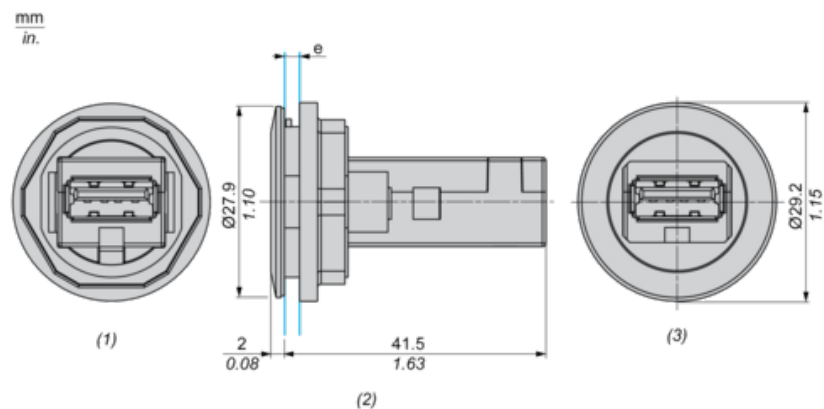
## Packing Units

Unit Type of Package 1	PCE
Package 1 Height	1.26 in (3.2 cm)
Package 1 width	1.97 in (5 cm)
Package 1 Length	3.39 in (8.6 cm)
Unit Type of Package 2	S02
Number of Units in Package 2	100
Package 2 Weight	4.26 lb(US) (1.932 kg)
Package 2 Height	5.91 in (15 cm)
Package 2 width	11.81 in (30 cm)
Package 2 Length	15.75 in (40 cm)

## Offer Sustainability

California proposition 65	WARNING: This product can expose you to chemicals including: Lead and lead compounds, which is known to the State of California to cause cancer and birth defects or other reproductive harm. For more information go to <a href="http://www.P65Warnings.ca.gov">www.P65Warnings.ca.gov</a>
EU RoHS Directive	Pro-active compliance (Product out of EU RoHS legal scope) <a href="#">EU RoHS Declaration</a>
Toxic heavy metal free	Yes
Mercury free	Yes
RoHS exemption information	<a href="#">Yes</a>
China RoHS Regulation	<a href="#">China RoHS Declaration</a>
Environmental Disclosure	<a href="#">Product Environmental Profile</a>
Circularity Profile	<a href="#">End Of Life Information</a>
WEEE	The product must be disposed on European Union markets following specific waste collection and never end up in rubbish bins.

Dimensions

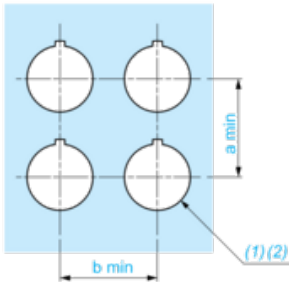


- (1) Rear view
- (2) Side view
- (3) Front view
- (e)

	<p>Clamping thickness without accessory: 1.5 mm to 5 mm / 0.05 in to 0.19 in</p> <p>Clamping thickness with ZBSP1 &amp; ZBSP2: 1.5 mm to 5 mm / 0.05 in to 0.19 in</p> <p>Clamping thickness with ZBSP3: 1.5 mm to 2.5 mm / 0.05 in to 0.10 in</p>
--	--

Panel Cut-out for Panel Mounted USB Port

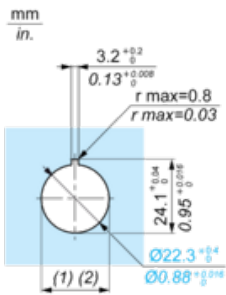
Connection by Screw Clamp Terminals or Plug-in Connectors



- (1) Diameter on finished panel or support
- (2)  $\text{\O}22.5$  mm recommended ( $\text{\O}22.3$  0+0.4) /  $\text{\O}0.89$  in. recommended ( $\text{\O}0.88$  in. 0+0.016)

Connections	a in mm	a in in.	b in mm	b in in.
By screw clamp terminal or plug-in connector	35	1.38	35	1.38

Panel Cut-out



- (1) Diameter on finished panel or support
- (2)  $\text{\O}22.5$  mm recommended ( $\text{\O}22.3$  0+0.4) /  $\text{\O}0.89$  in. recommended ( $\text{\O}0.88$  in. 0+0.016)

# Mouser Electronics

Authorized Distributor

Click to View Pricing, Inventory, Delivery & Lifecycle Information:

[Schneider Electric:](#)

[XB5PUSB3](#)