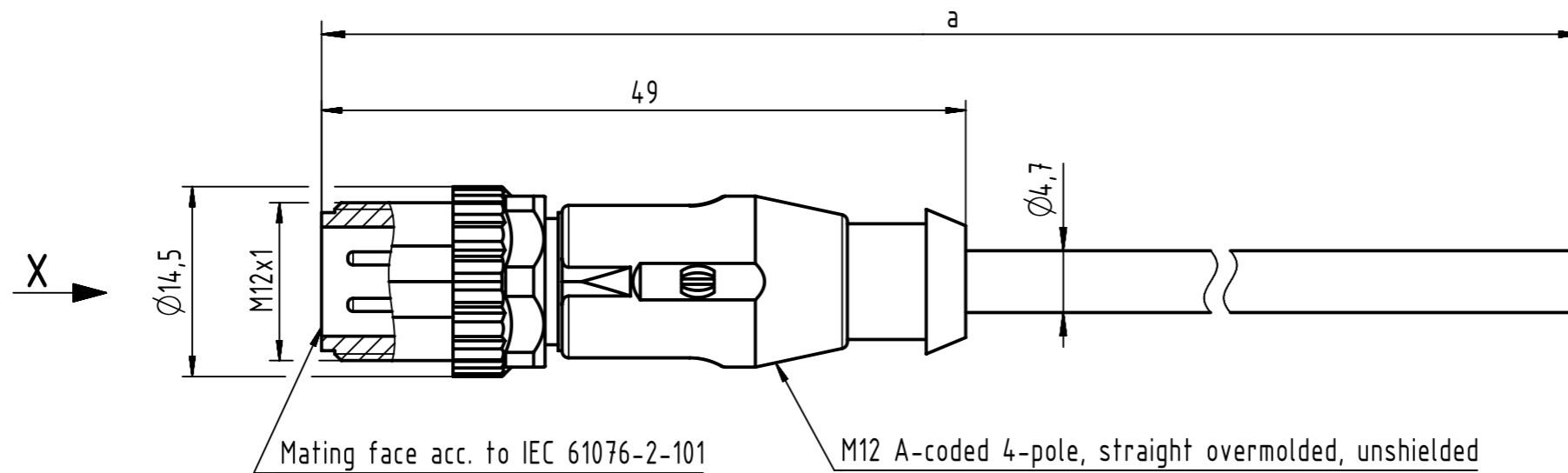
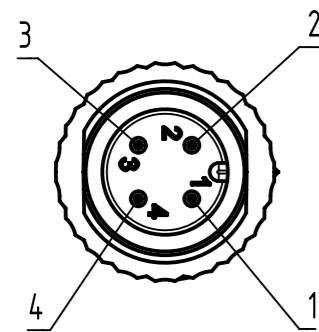


Connector Location A

Connector Location B

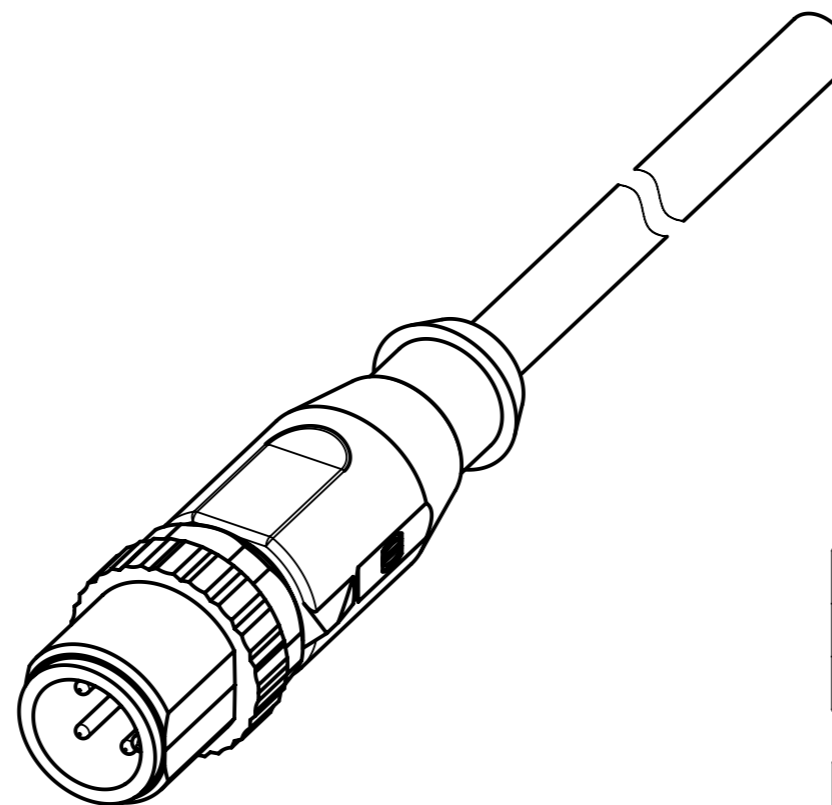


X  
male



Loading-Plan:

- 1 brown
- 2 white
- 3 blue
- 4 black



- Protection level: IP67
- Temperature range: -25°C ... +80°C

length in "1m" step	40	XXX=40
	39	XXX=39
	.	.
	12	XXX=120
	11	XXX=110
length in "0.1m" step	10	XXX=100
	9.9	XXX=099
	9.8	XXX=098
	.	.
	0.4	XXX=004
	0.3	XXX=003
	0.2	XXX=002
	0.1	XXX=001
Step	a [m]	XXX

4.0 to 40	±1%
0.1 to 3.9	+0.04
a [m]	Tolerance

PVC grey, 4x0.34mm <sup>2</sup>	21348400484XXX
Type of cable	Part no.

	All rights reserved		Created by COSTEA Costea		Inspected by STOCECIC Stoceci		Standardisation MUNTEANV Muntean		Date 2018-12-17		State Final Release	
	Department HCS - RO		Title M12 Cable Assembly A-cod st/- m/-		Doc-Key / ECM-Nr. 100578816/UGD/009/C 500000144899		Rev. C		Page 1/1			
HARTING Customised Solutions D-32339 Espelkamp		Type TB		Number 21348400484XXX								

# Mouser Electronics

Authorized Distributor

Click to View Pricing, Inventory, Delivery & Lifecycle Information:

## HARTING:

[21348400484015](#) [21348400484050](#) [21348400484005](#) [21348400484010](#) [21348400484075](#) [21348400484100](#)  
[21348400484020](#)