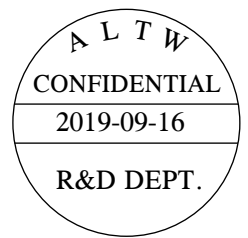
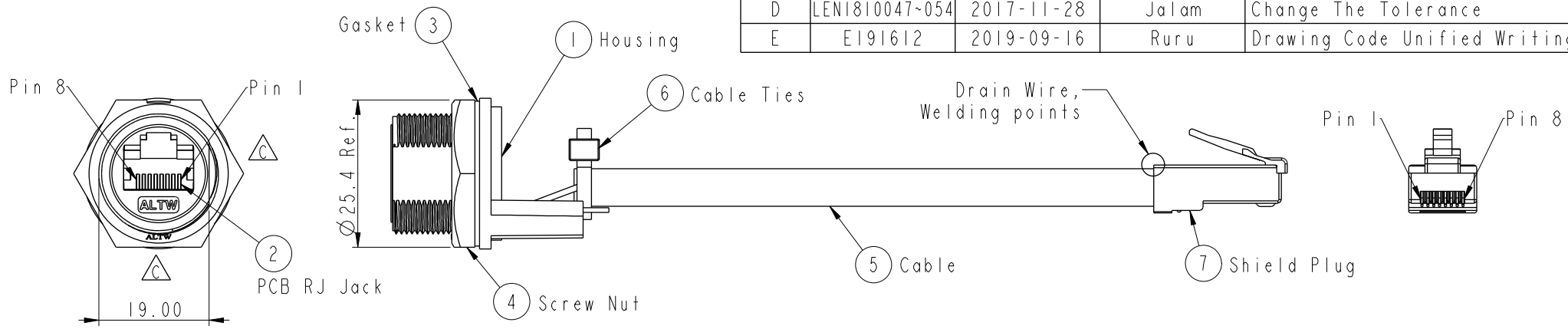


THIS DOCUMENT IS SUBJECT TO CHANGE WITHOUT NOTICE. IT IS CONFIDENTIAL AND A PROPERTY OF Amphenol LTW. DISCLOSURE TO THIRD PARTY HAS TO BE AUTHORIZED BY Amphenol LTW.

REV.	ECN NO.	DATE	SIGN	DESCRIPTION
C	LEN1440110	2014-04-10	Tom_gu	Change H Cut To D Cut
D	LEN1810047~054	2017-11-28	Jalam	Change The Tolerance
E	E191612	2019-09-16	Ruru	Drawing Code Unified Writing



Cable length	Tolerance
0.0~100 mm	±10 mm
101~300 mm	±15 mm
301~1000 mm	±20 mm

- Note:
- * \varnothing Important Dimension
 - * Waterproof Rate : IP67 Unmated
 - * Housing : Nylon+GF,UL 94V-0,BLACK
 - * Screw Nut : Nylon+GF,BLACK
 - * Gasket : Silicone,UL 94V-0,Gray.
 - * PCB: FR-4
 - * Jack : PBT Polyester UL 94V-0
 - * Use without Waterproof cap or Dust cap
For Panel Thickness Max: 4.2mm
 - * Use with Waterproof cap or Dust cap
For Panel Thickness Max: 3.0mm
 - * Screw torsion value range: 8~12kgf-cm

RCP-5SPFFP-SCU7BXX \triangle

10: 100mm
15: 150mm
20: 200mm
A0: 1000mm

Cable Pitch Unit=50mm
Cable Length(L):100~1000mm

Shield	Drain Wire	接地線	Shield
8	Brown	棕	8
7	White/Brown	白/棕	7
6	Green	綠	6
5	White/Blue	白/藍	5
4	Blue	藍	4
3	White/Green	白/綠	3
2	Orange	橘	2
1	White/Orange	白/橘	1
Jack	Wire Color	Plug	
Pin Out			

Recommended Panel Cut-out Rear View

19.4 ± 0.1

20.8 ± 0.1

UNIT: mm	TITLE RJ45,C SIZE,UNMATED WATERPROOF			Amphenol LTW 安費諾亮泰企業股份有限公司	ITEM NO	DRAWN BY	DATE
	TOLERANCE .X ±0.25 .XX ±0.1 .XXX ±0.05 ANGLES ±1°	SCALE 1:1	SIZE A4		SHEET 1 OF 1	DWG NO RCP-5SPFFP-SCU7BXX	CHECKED BY Rita
REV. E WC-REV. B.5 \varnothing Inspection item				Amphenol LTW	CUSTOMER	APPROVED BY Max	DATE 2019-09-16

Mouser Electronics

Authorized Distributor

Click to View Pricing, Inventory, Delivery & Lifecycle Information:

[Amphenol:](#)

[RCP-5SPFFP-SCU7B15](#)