

REVISIONS

| P | LTR | DESCRIPTION | DATE | DWN | APVD |
|---|-----|---------------------------|-----------|-----|------|
| | B2 | REVISED PER ECO-11-005150 | 29MAR2011 | RK | HMR |
| | W | ECR-16-003733 | 12MAR2016 | KR | TN |
| | | | | | |

LASER MARKING: TE LOGO PN VALUE TOLERANCE & DATE CODE

M6 ST/STEEL TERMINAL STUDS. EACH SUPPLIED WITH:- 2 OFF M6 ST/STEEL FULL NUTS 2 OFF M6/STEEL PLAN WASHERS

5.6 MIN

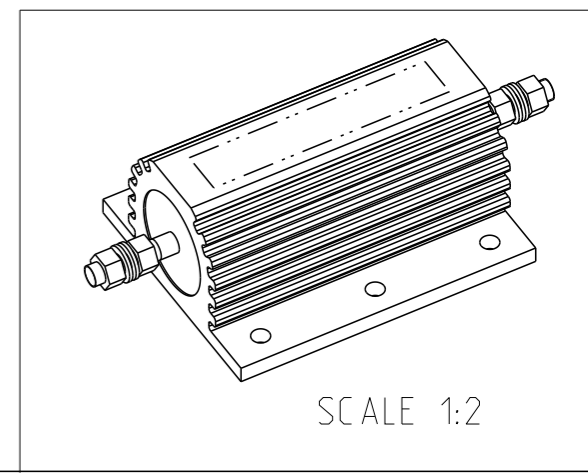
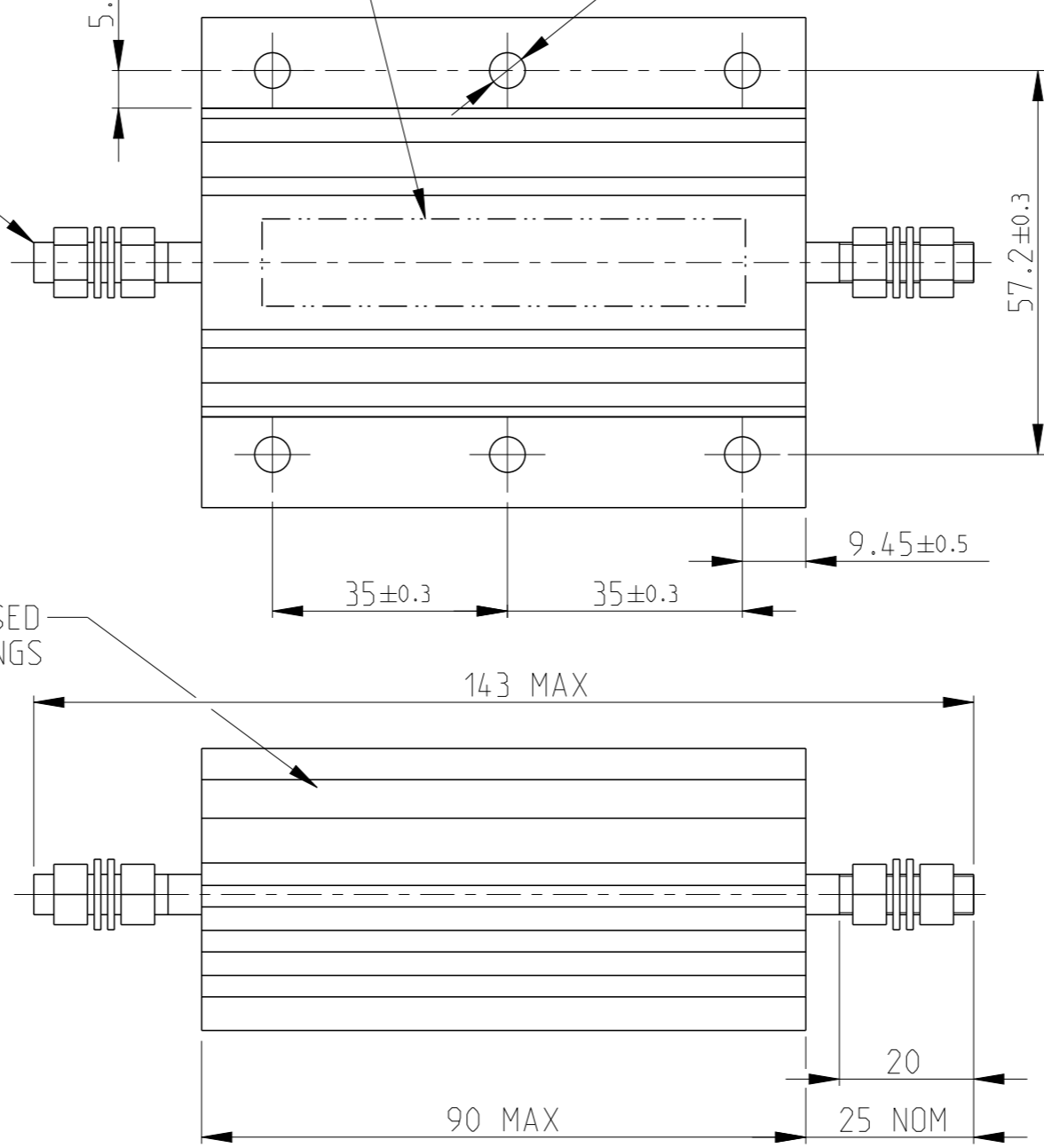
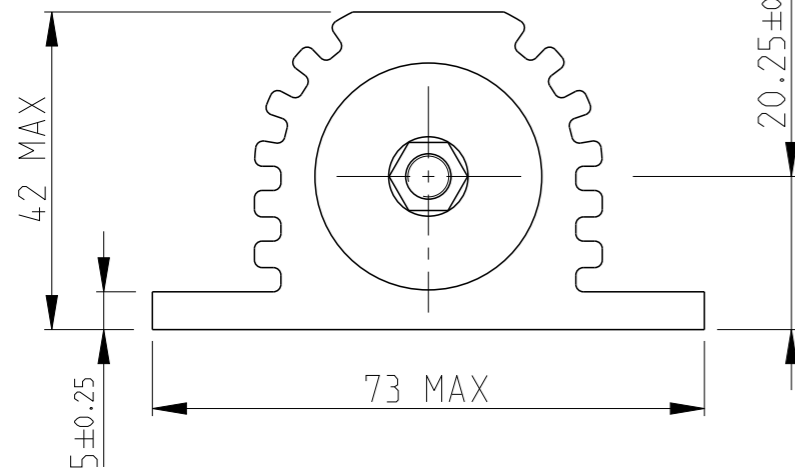
6 HOLES Ø5.3


- 1 FOR FURTHER INFORMATION SEE DATA SHEET FOR HS SERIES-ALUMINIUM HOUSED RESISTORS
- 2 FOR A SPECIFIC PN FOR A RESISTANCE VALUE AND TOLERANCE, PLEASE REFER TO DMF

GOLD ANODISED ALUMINIUM HOUSINGS

HSC200 ALUMINIUM HOUSED POWER RESISTOR

RoHS Compliant



| | | | | |
|--|-------------------------|----------------------------------|---|--------------------|
| THIS DRAWING IS A CONTROLLED DOCUMENT. | | DWN L LUONG 10.MAR.03 |  TE Connectivity | |
| DIMENSIONS: mm | | CHK J CATCHPOLE 10.MAR.03 | | |
| TOLERANCES UNLESS OTHERWISE SPECIFIED: | | APVD J CATCHPOLE 10.MAR.03 | NAME HSC200 ALUMINIUM HOUSED POWER RESISTOR | |
| 0 PLC ±0.5 | | PRODUCT SPEC | - | |
| 1 PLC ±0.2 | | APPLICATION SPEC | - | |
| 2 PLC ±0.1 | | WEIGHT | - | |
| 3 PLC ± | | CUSTOMER DRAWING | SIZE A3 | CAGE CODE 00779 |
| 4 PLC ± | | | DRAWING NO C-1630019 | RESTRICTED TO - |
| ANGLES ± | | | SCALE 1:1 | SHEET 1 OF 1 |
| FINISH | | | REV W | |
| MATERIAL material_2 | FINISH finish_spec_2 | | | |

Mouser Electronics

Authorized Distributor

Click to View Pricing, Inventory, Delivery & Lifecycle Information:

[TE Connectivity:](#)

[HSC200390RJ](#)