

4

3

2

1

THIS DRAWING IS UNPUBLISHED.

RELEASED FOR PUBLICATION

2009

© COPYRIGHT 2009

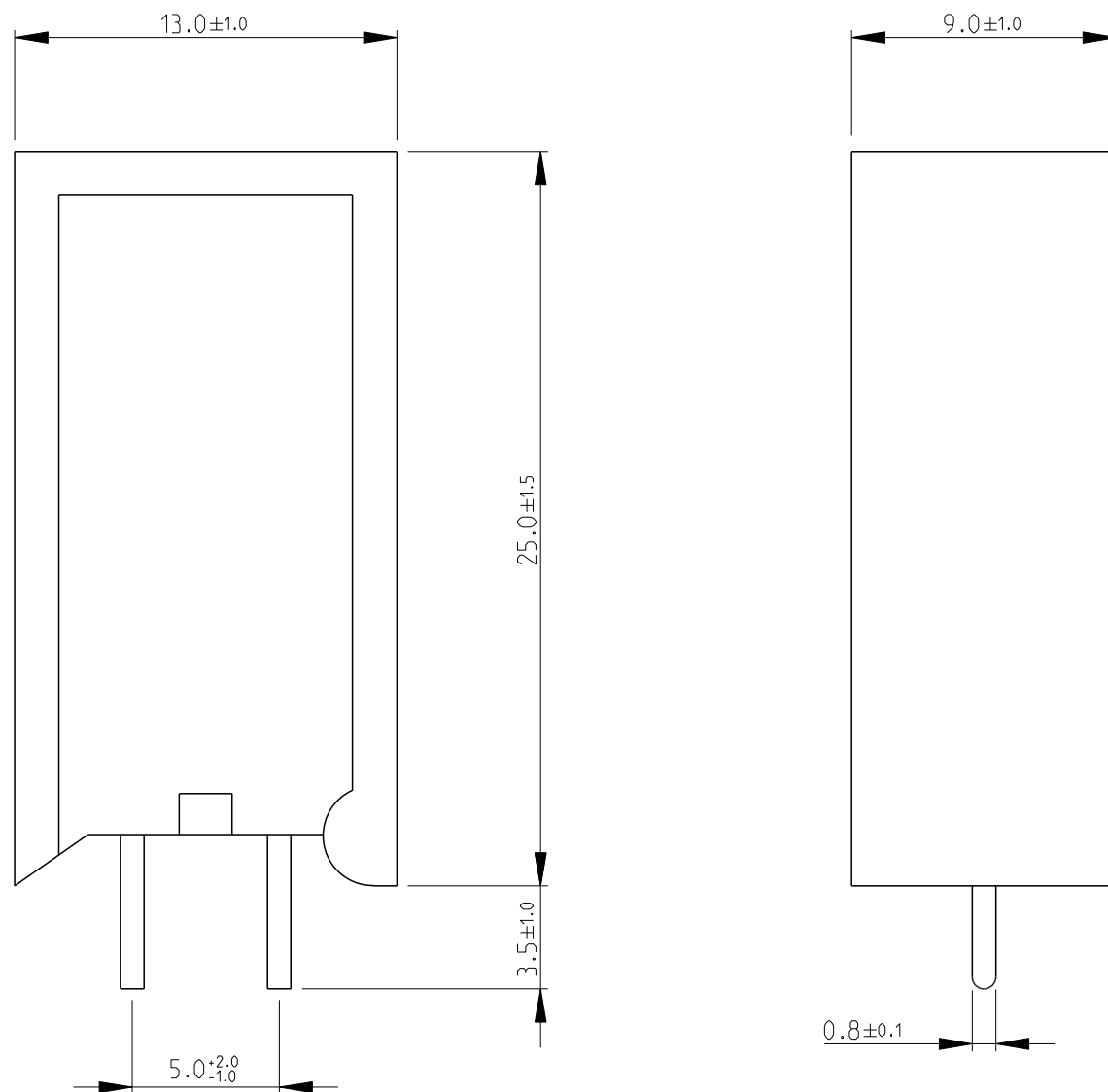
ALL RIGHTS RESERVED.

LOC
E

DIST
B

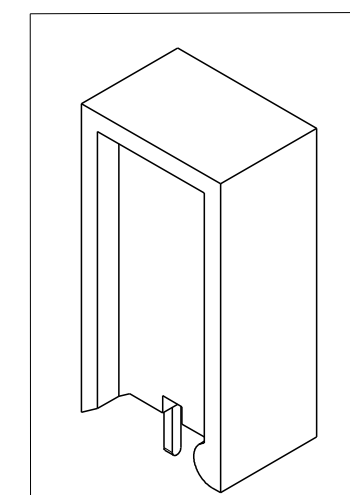
REVISIONS


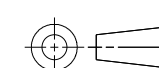
P	LTR	DESCRIPTION	DATE	DWN	APVD
	BB	ECR-11-016776	12AUG2011	PSK	JC



1. FOR FURTHER INFORMATION SEE DATA SHEET FOR SQ SERIES HIGH POWER RESISTOR

RoHS Compliant



THIS DRAWING IS A CONTROLLED DOCUMENT.		DWN PARUSURAM.T 12OCT2010	 TE Connectivity		
DIMENSIONS: mm		CHK ALLAN.P 12OCT2010			
TOLERANCES UNLESS OTHERWISE SPECIFIED:		APVD STEPHEN.P 12OCT2010	NAME HIGH POWER RESISTORS SERIES SQM5		
		PRODUCT SPEC -	-		
0 PLC ±0.2 1 PLC ±0.1 2 PLC ± 3 PLC ± 4 PLC ± ANGLES ±5°		APPLICATION SPEC -	SIZE A3	CAGE CODE 00779	DRAWING NO C-1623782
MATERIAL -		FINISH -	WEIGHT -	RESTRICTED TO -	
CUSTOMER DRAWING			SCALE 1:1	SHEET 1 OF 1	REV BB

Mouser Electronics

Authorized Distributor

Click to View Pricing, Inventory, Delivery & Lifecycle Information:

TE Connectivity:

[SQMW5150RJ](#) [SQMW768RJ](#) [SQMW76R8J](#) [SQMW7R10J](#) [SQMW5R39J](#) [SQMW71R0J](#) [SQMW7150RJ](#)
[SQMW7R22J](#) [SQMW7R33J](#) [SQMW7R68J](#) [SQMW5R68J](#) [SQMW510RJ](#) [SQMW7330RJ](#) [SQMW527RJ](#)
[SQMW5120RJ](#) [SQMW10470RJ](#) [SQMW7180RJ](#) [SQMW7220RJ](#) [SQMW58R2J](#) [SQMW322RJ](#) [SQMW310RJ](#)
[SQMW10S47RJ](#) [SQMW7R13J](#) [SQMW5R27J](#)