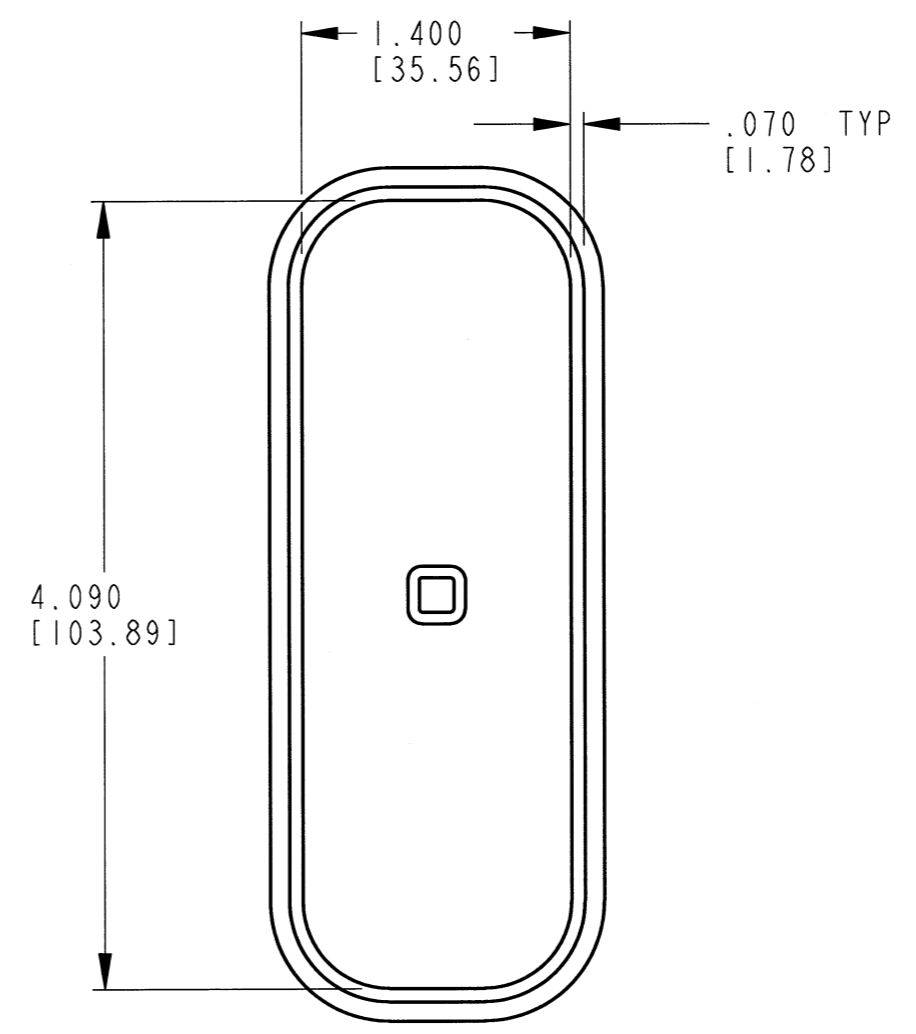
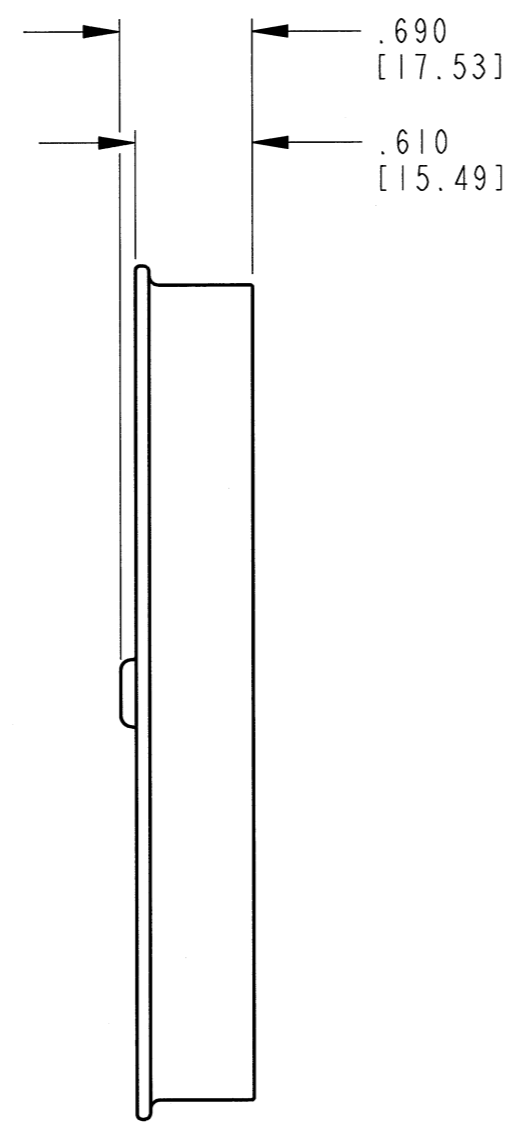
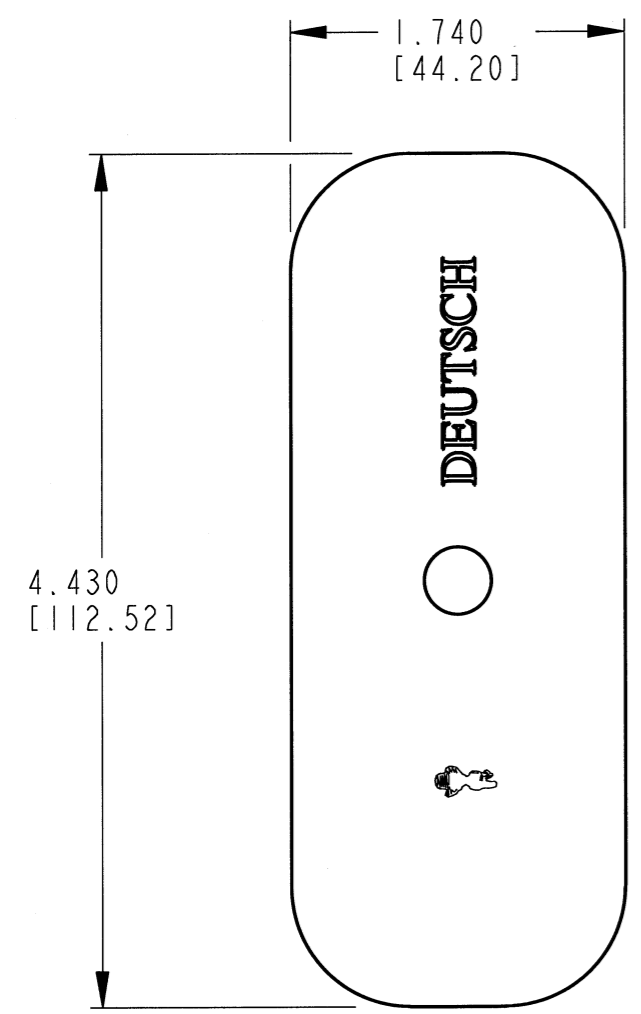
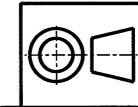


REV
A 0515-006-7005

REVISIONS			
SYM	DESCRIPTION	DATE	APPROVED
NC	NEW RELEASE PER E.O. A09173	3-30-89	JRA
A	REVISED PER E.O. P21148	10/10/11	DM



2. DIMENSIONS ARE ±.025[.64].
 1. DIMENSIONS ARE IN INCHES [MILLIMETERS].
 NOTES: UNLESS OTHERWISE SPECIFIED



SIGNATURE & DATE		DUST CAP PLUG DRC 70 SERIES	EP	MATL. CODE	
DR	D. HASIBUAN 10/05/11		 3850 INDUSTRIAL AVE. HEMET, CA 92545 DEUTSCH INDUSTRIAL		
CHK	<i>[Signature]</i> 10/6/11		B	0515-006-7005	
PE	D. Hasibuan 10/7/11			DWG SIZE	CODE 11139 SHEET OF
APPD	<i>[Signature]</i> 10/10/11		ENVELOPE		
SCALE	NONE [W]				

Mouser Electronics

Authorized Distributor

Click to View Pricing, Inventory, Delivery & Lifecycle Information:

[TE Connectivity:](#)

[0515-006-7005](#)