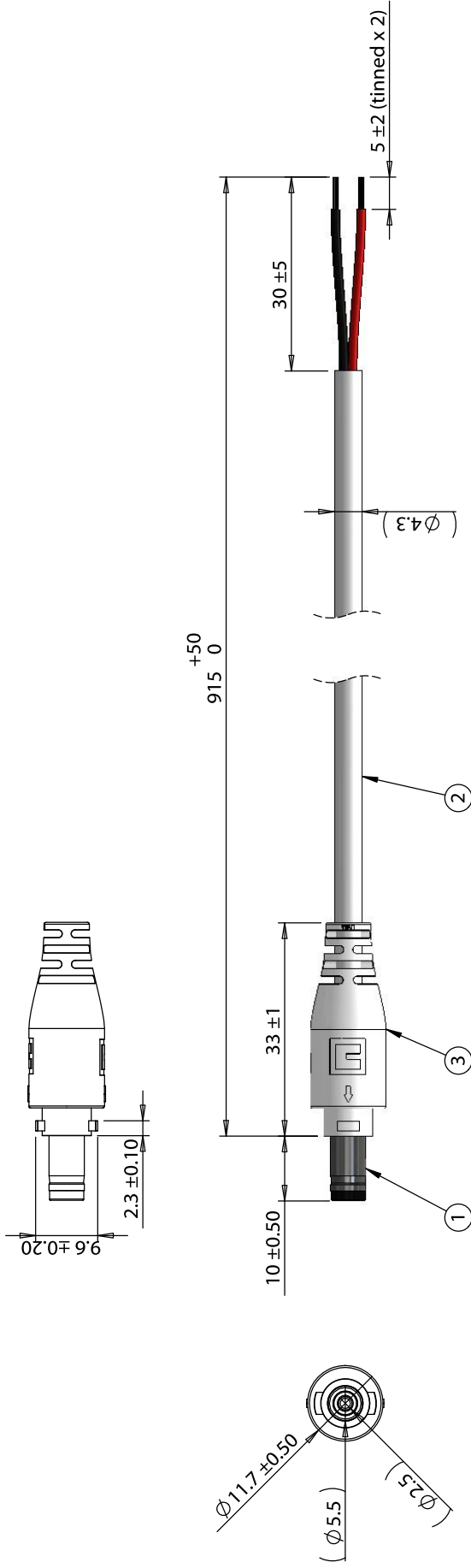


ITEM NO.	PART NUMBER	DESCRIPTION	QTY.	COMPONENT NOTES
1	50-00595	Connector, dc plug, 5.5x2.5xL20.5mm, brass nickel plated	1	
2	30-00690	Wire, 2C TS, 22 AWG, UL2464, 300V, 80C, 4.30 mm, VW-1, PVC, white	1	
3	24-00161	Overmold, dc plug, twistlock, PVC	1	white



Wiring Diagram	
50-00595	wire color
center	red
sleeve	black

**Notes:**  
 Made to mate with cable assembly: 10-02941 and 10-02981  
 Functionally equivalent components may be substituted

Revision:	Date:	Description:	Prepared:	Notes:	Scale:	Part number:	Size:	Sheet 1 of 1
A	9/19/2018	Initial release	AW Digitally signed by AW Date: 2018.10.24 10:12:14 -07'00'	RoHS compliant Function test: no open, no short circuit, no intermittent	1:1	10-02940	A	1
			JP Digitally signed by JP Date: 2018.10.24 10:18:02 -07'00'	Description: Cable, 915 mm, 5.5x2.5 mm 50-00595 dc plug twist lock to 10 mm tinned, 22 AWG, UL2464, white				2
			Dimensions are in millimeters. Tolerances: X: ± 0.5 mm X.X: ± 0.3 mm X.XX: ± 0.05 mm					3
								4
								5