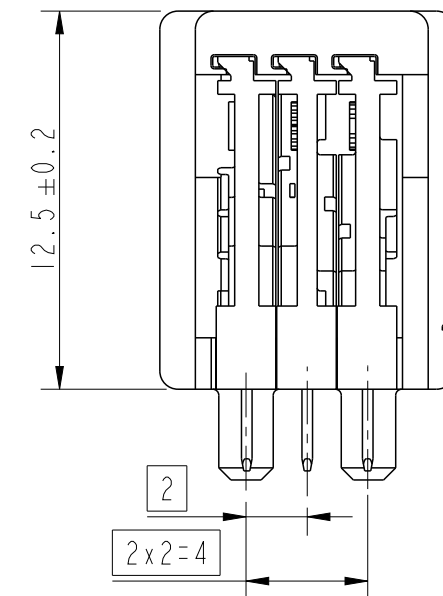
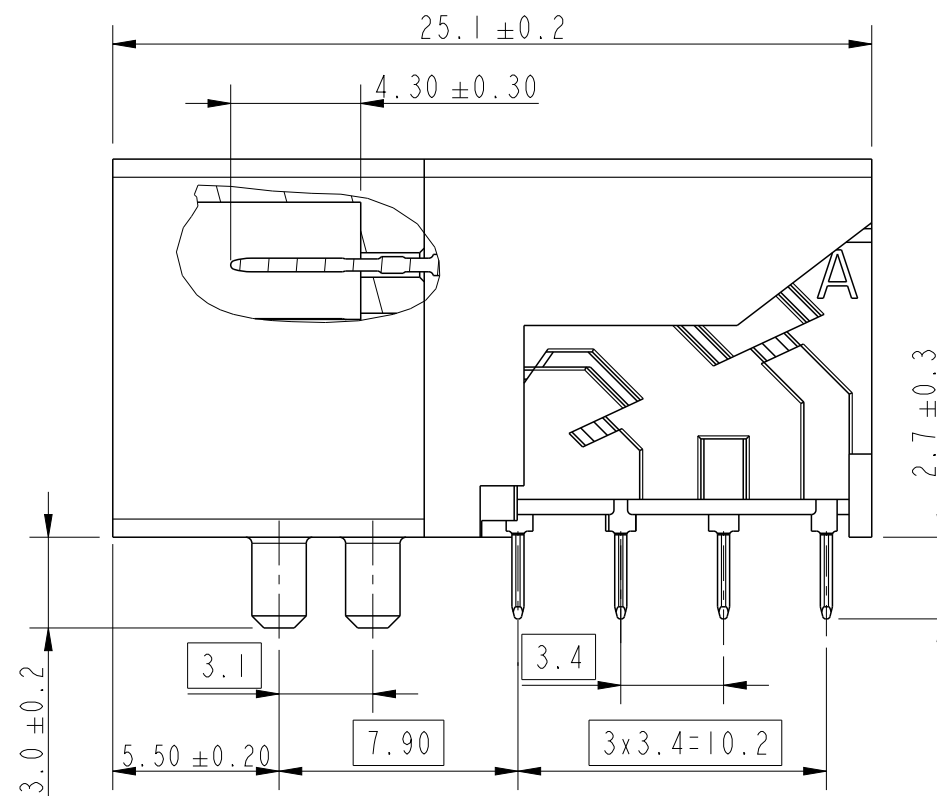
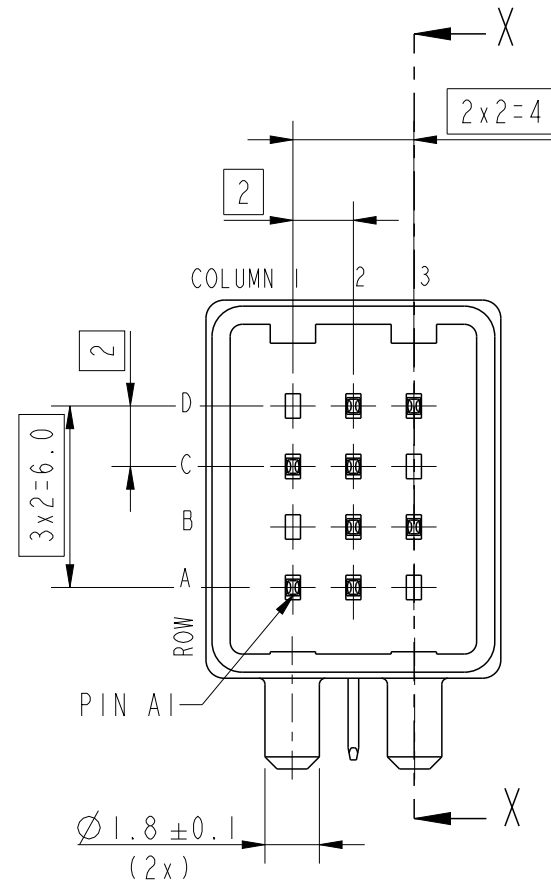
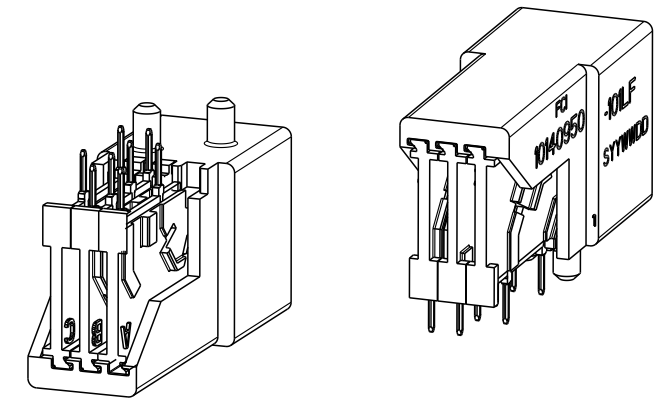
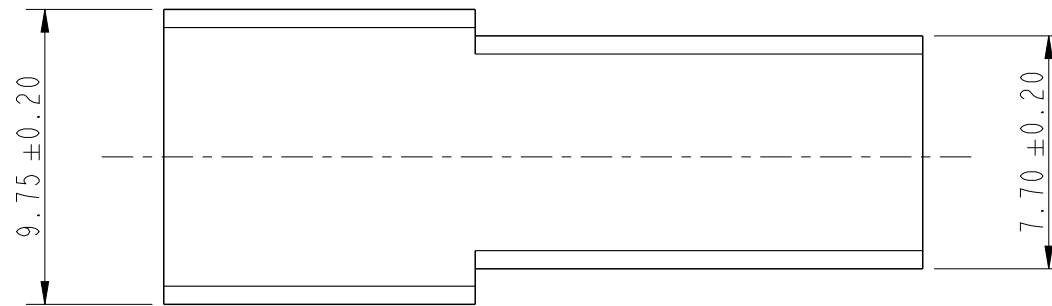


PRODUCT NUMBER

SEE TABLE

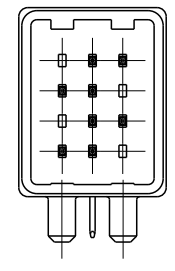
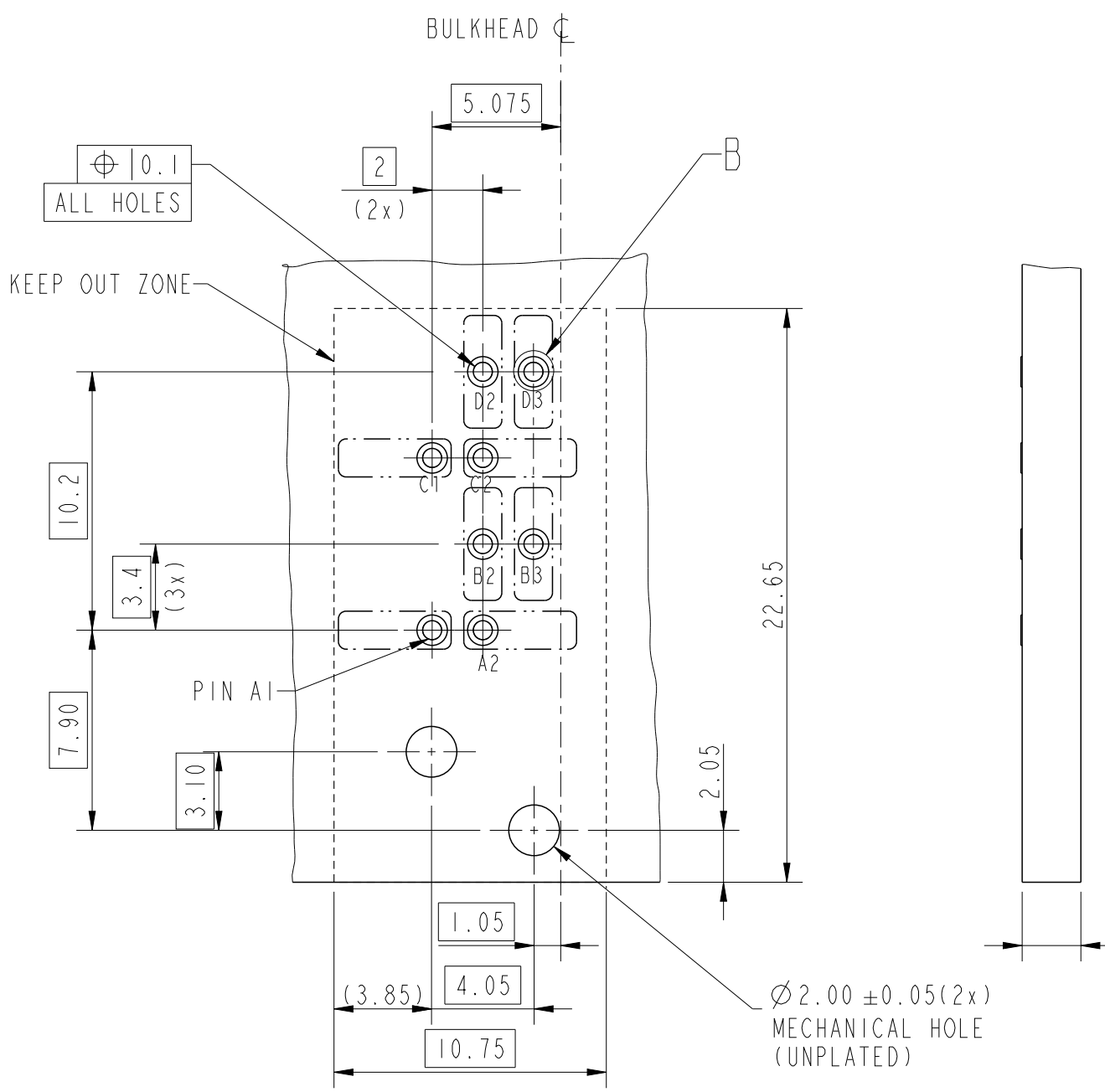
(SEE NOTE 8, SHEET 6)



AFCI PART NO	ROW	COLUMN 1	COLUMN 2	COLUMN 3
10140950-101LF	D	-	x	x
	C	x	x	-
	B	-	x	x
	A	x	x	-
10140950-102LF	D	x	x	x
	C	x	x	-
	B	x	x	x
	A	x	x	-
10140950-103LF	D	x	x	x
	C	x	x	x
	B	x	x	x
	A	x	x	x

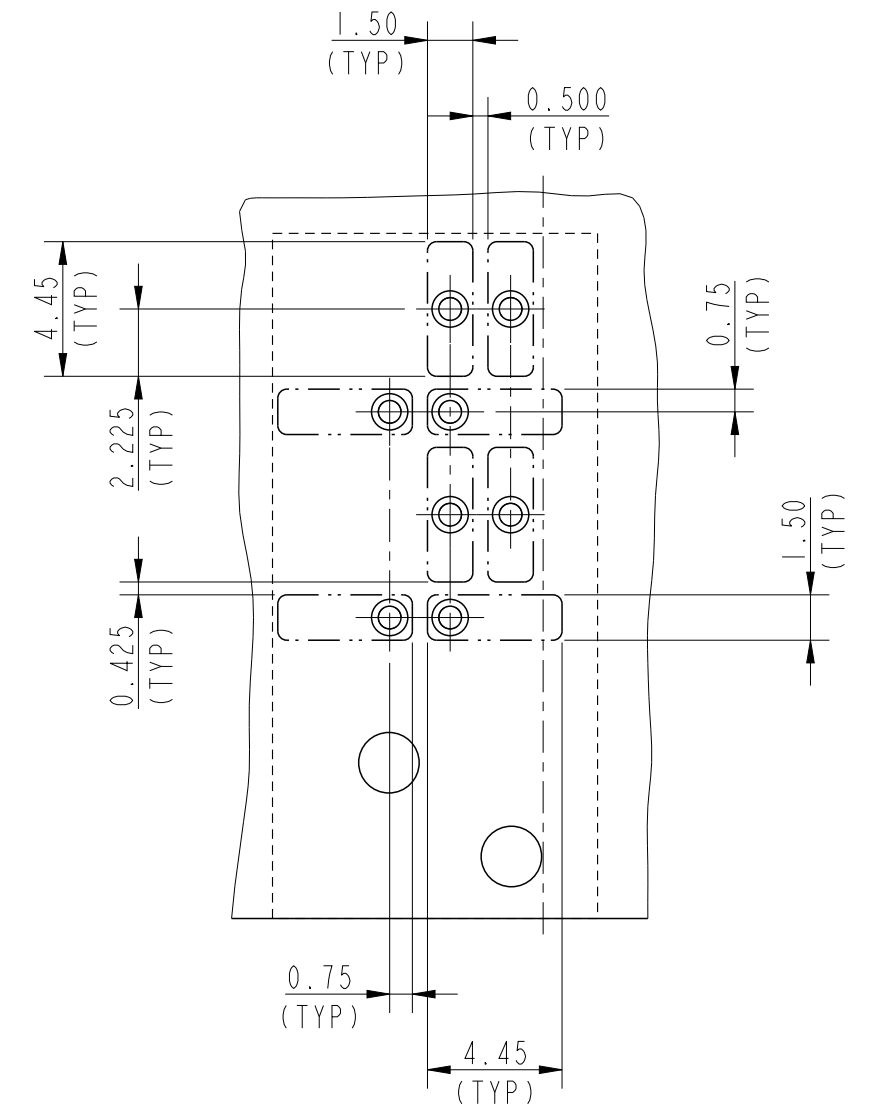
spec ref	-	dr	Jibin John	2017/09/26	projection	mm	size	A3	scale	2:1
tolerance std	ISO 406 ISO 1101	eng	Stalin Alosius	2017/10/16			ecn no	-	rel level	Released
surface	linear	chr	-	appr						
	angular	0°	±2°	Amphenol FCI		title VERIO SIGNAL RA BOARD CONNECTOR WITH PIP TERMINATION		dwg no 10140950	rev A	
ISO 1302	0.X ±0.3 0.XX ±0.10 0.XXX ±0.050	cat. no.	-	Product - Customer Drw		sheet 1 of 6				

VIEW FROM COMPONENT SIDE P/N 10140950-101LF

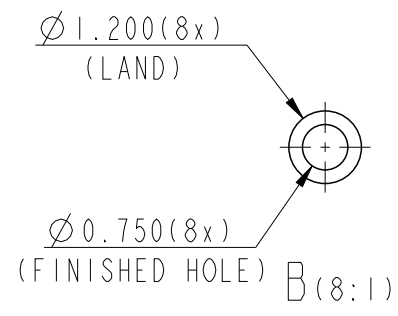


P/N 10140950-101LF
(8 POS. SIGNAL)

SOLDER PAD DIMENSIONS



PTH



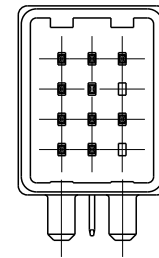
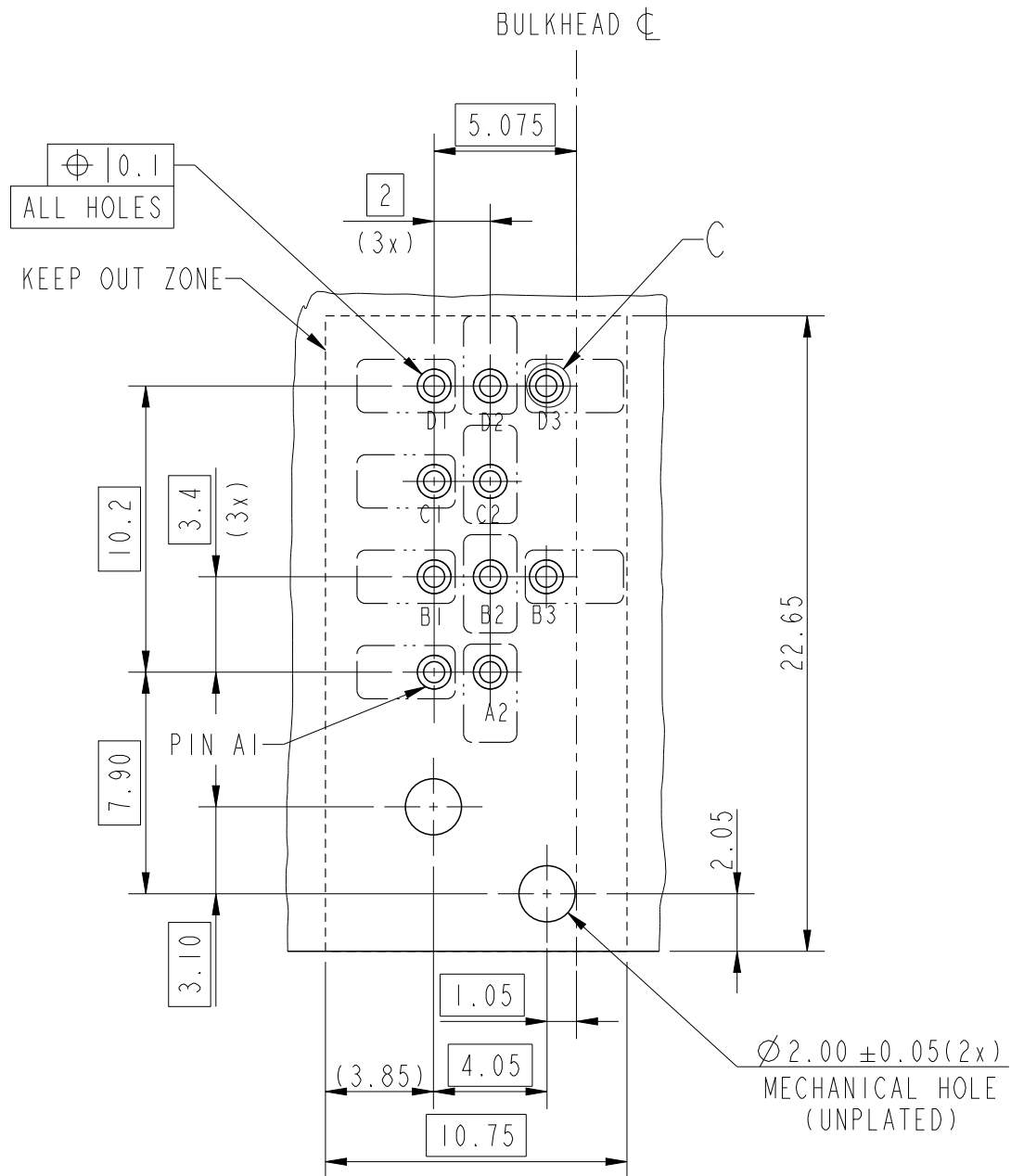
1.6~2.4(±10%)
(PCB THICKNESS)

SIGNAL PTH DETAILS	
DRILLED HOLE	0.82-0.87mm
COPPER PLATING	25-50µm
TIN PLATING	0.8-1.2µm
FINISHED HOLE DIA	0.70-0.80mm

spec ref	-	dr	Jibin John	2017/09/26
tolerance std	ISO 406 ISO 1101	eng	Stalin Alosius	2017/10/16
	TOLERANCES UNLESS OTHERWISE SPECIFIED	chr	-	-
surface		ISO 1302	appr	K-Paul Biju
	linear	0.X	±0.3	Amphenol FCi
		0.XX	±0.10	
		0.XXX	±0.050	
	angular	0°	±2°	

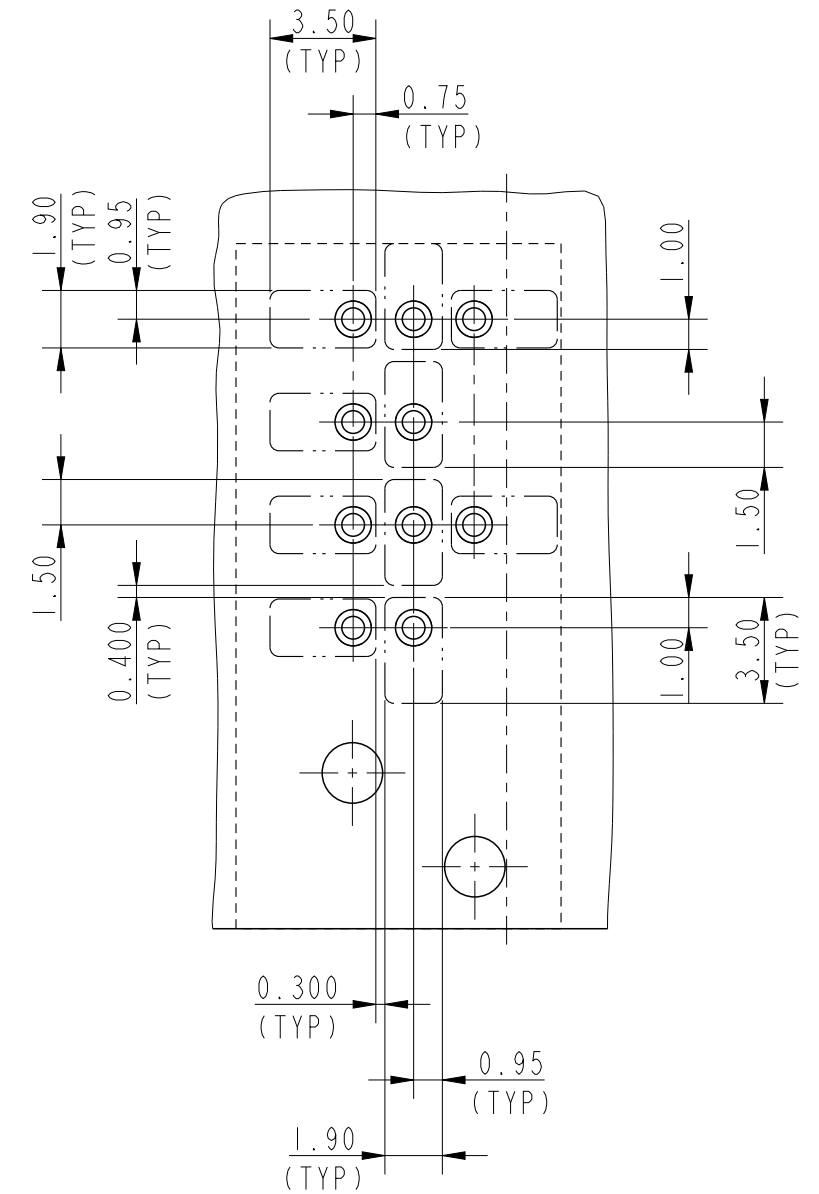
projection	mm	size	A3	scale	1:1
product family		ecn no	-	rel level	Released
VERIO SIGNAL RA BOARD CONNECTOR WITH PIP TERMINATION	dwg no	10140950	rev	A	
cat. no.	-	Product - Customer Drw	sheet 2 of 6		

VIEW FROM COMPONENT SIDE P/N 10140950-102LF



P/N 10140950-102LF
(10 POS. SIGNAL)

SOLDER PAD DIMENSIONS



PTH

$\phi 1.200 (10x)$
(LAND)

$\phi 0.750 (10x)$
(FINISHED HOLE)

C (8:1)

1.6~2.4 ($\pm 10\%$)
(PCB THICKNESS)

Amphenol
FCi

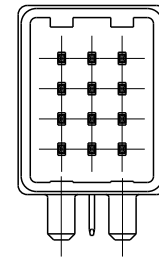
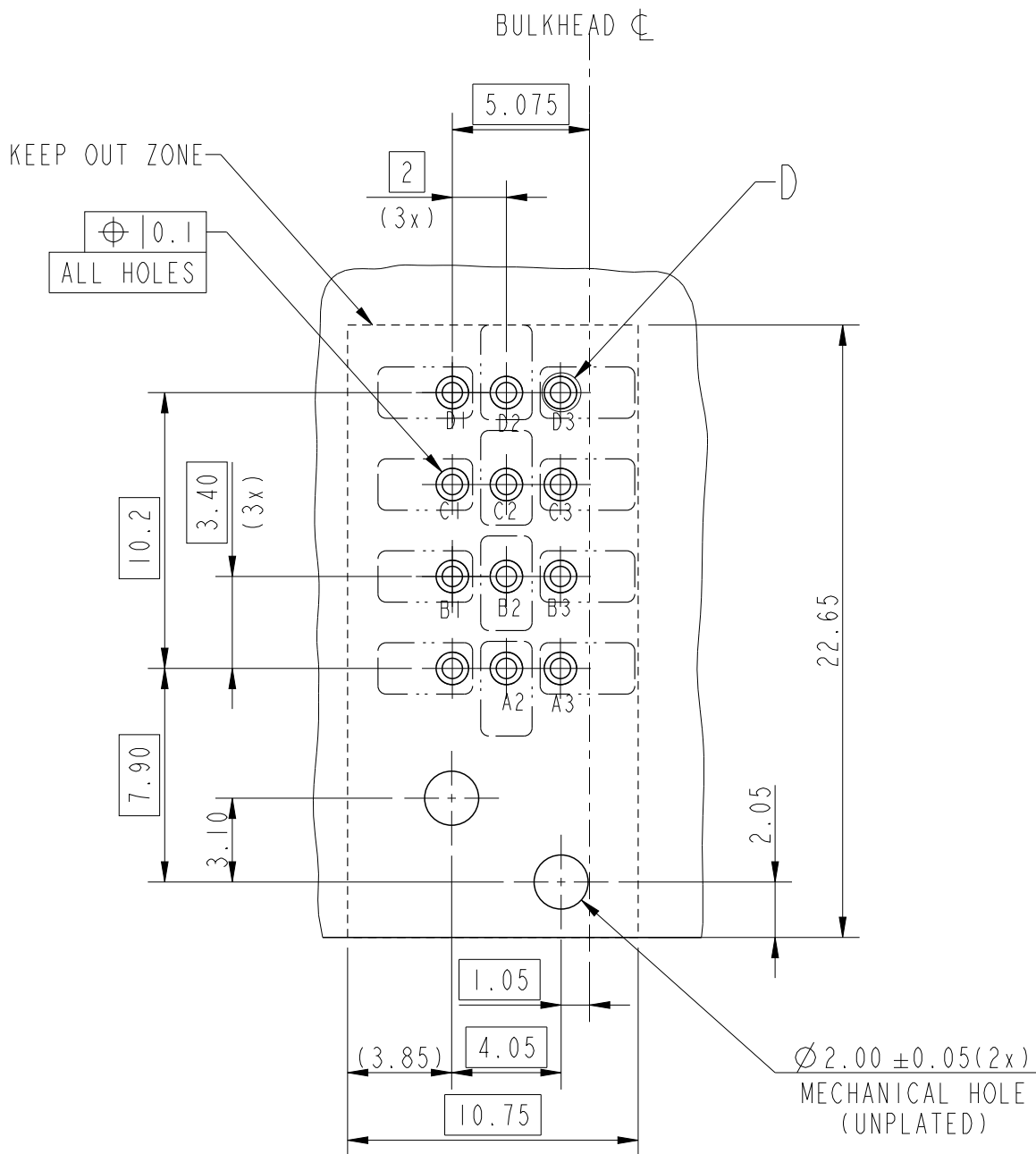
© 2016 AFCI

SIGNAL PTH DETAILS	
DRILLED HOLE	0.82-0.87mm
COPPER PLATING	25-50 μ m
TIN PLATING	0.8-1.2 μ m
FINISHED HOLE DIA	0.70-0.80mm

spec ref	-	dr	Jibin John	2017/09/26
tolerance std	ISO 406 ISO 1101	eng	Stalin Alosius	2017/10/16
	TOLERANCES UNLESS OTHERWISE SPECIFIED	chr	-	-
surface		appr	K-Paul Biju	2017/10/16
	linear	0.X	± 0.3	Amphenol FCi
		0.XX	± 0.10	
		0.XXX	± 0.050	
	angular	0°	$\pm 2^\circ$	

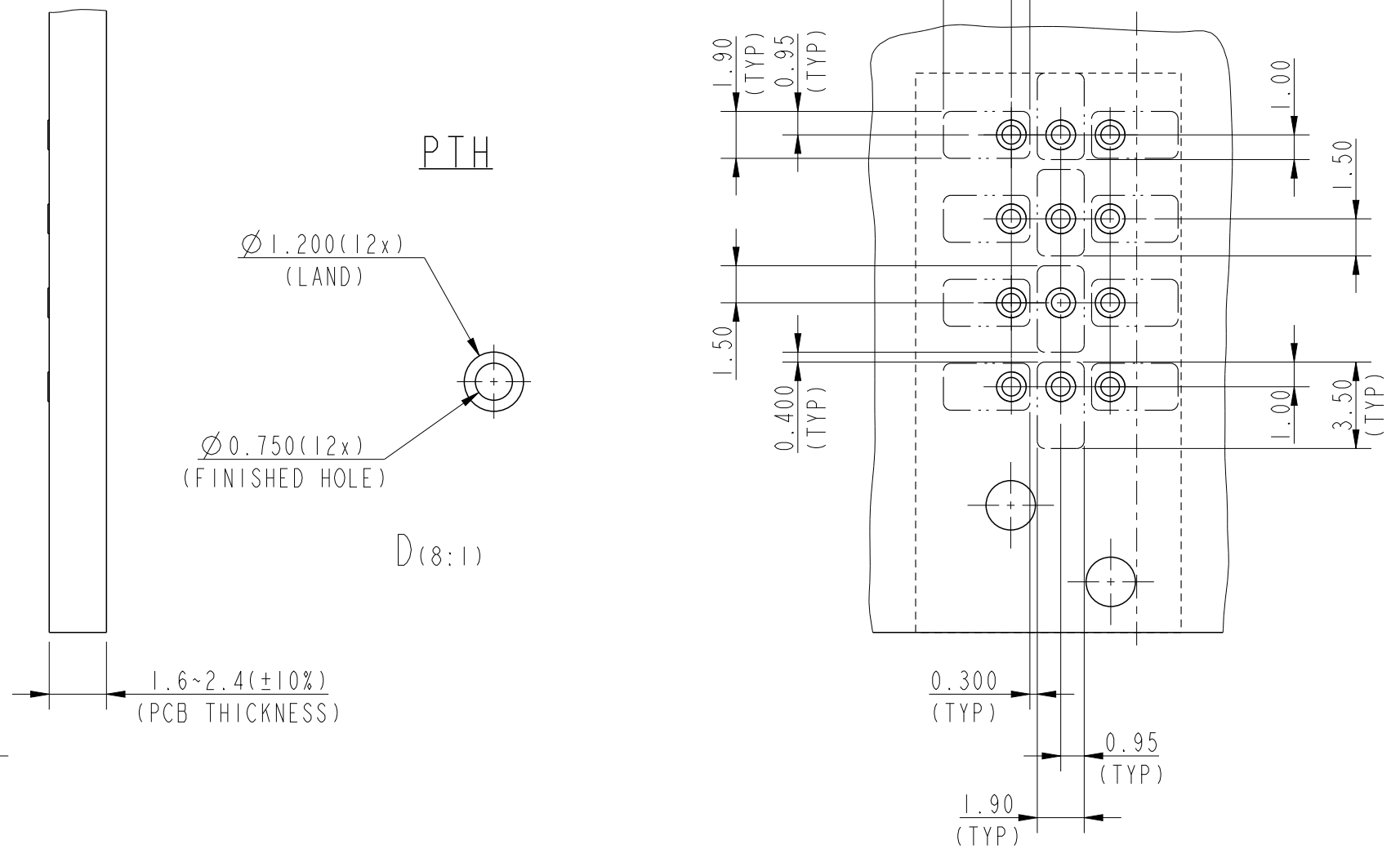
projection	ϕ \leftarrow	size	A3	scale	1:1
		mm			
product family	VERIO SIGNAL RA BOARD CONNECTOR		ecn no	-	rel level
	WITH PIP TERMINATION		rel level	Released	
cat. no.	Product - Customer Drw	10140950	rev	A	sheet 3 of 6

VIEW FROM COMPONENT SIDE P/N 10140950-103LF



P/N 10140950-103LF
(12 POS. SIGNAL)

SOLDER PAD DIMENSIONS



Amphenol
FCi

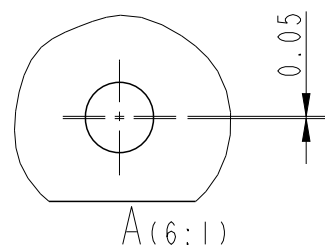
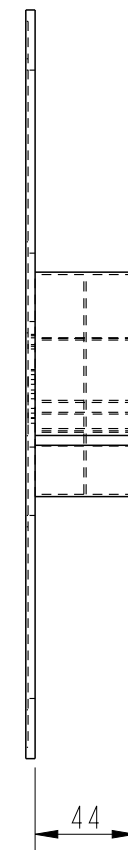
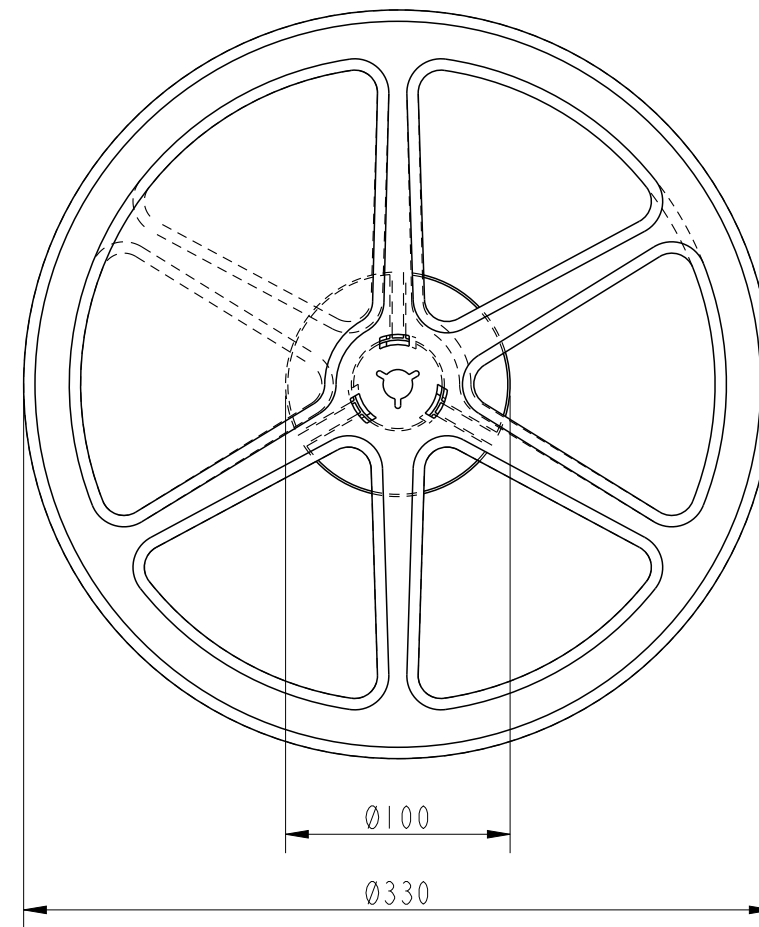
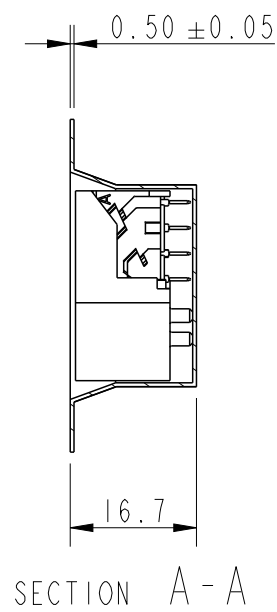
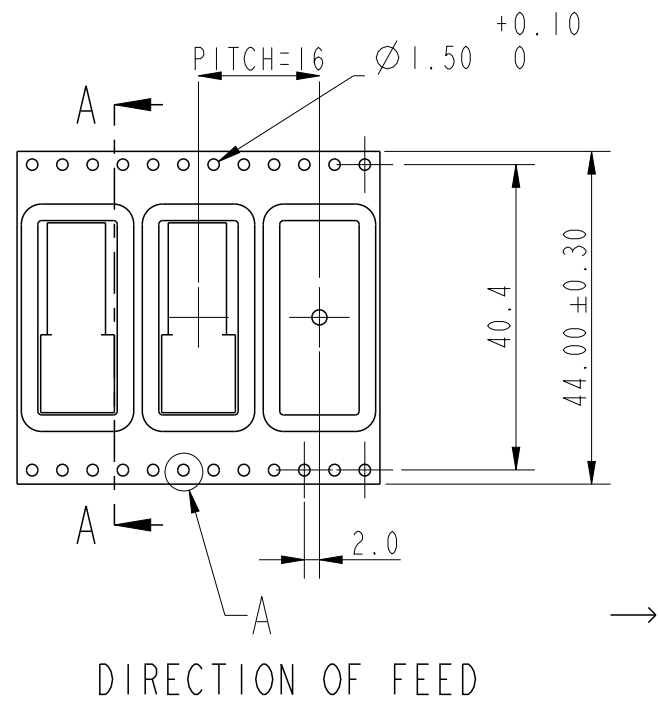
© 2016 AFCI

SIGNAL PTH DETAILS	
DRILLED HOLE	0.82-0.87mm
COPPER PLATING	25-50 μ m
TIN PLATING	0.8-1.2 μ m
FINISHED HOLE DIA	0.70-0.80mm

spec ref	-	dr	Jibin John	2017/09/26
tolerance std	ISO 406 ISO 1101	eng	Stalin Alosius	2017/10/16
	TOLERANCES UNLESS OTHERWISE SPECIFIED	chr	-	-
surface		ISO 1302	appr	K-Paul Biju
	linear	0.X	± 0.3	Amphenol FCi
		0.XX	± 0.10	
		0.XXX	± 0.050	
	angular	0°	$\pm 2^\circ$	

projection	ϕ \leftarrow	size	A3	scale	1:1
		mm		ecn no	-
product family	VERIO SIGNAL RA BOARD CONNECTOR		rel level	Released	
	WITH PIP TERMINATION		dwg no	10140950	rev
cat. no.	Product - Customer Drw	sheet 4 of 6			A

PACKAGING SPECIFICATION



TAPE & REEL PACKING DETAILS

NOTES:

1. PACKAGING DETAILS AS PER EIA-481 STD.
2. MATERIAL : (ANTISTATIC)
 CARRIER TAPE : POLYSTYRENE
 COVER TAPE : POLYSTYRENE

spec ref	-			dr	Jibin John	2017/09/26	projection	mm	size	A3	scale	2:1
tolerance std	TOLERANCES UNLESS OTHERWISE SPECIFIED			eng	Stalin Alosius	2017/10/16			ecn no		-	
ISO 406 ISO 1101				chr	-	product family			rel level		Released	
surface	linear	0.X	±0.3		VERIO SIGNAL RA BOARD CONNECTOR			dwg no	10140950		rev	A
		0.XX	±0.10		WITH PIP TERMINATION							
ISO 1302	angular	0°	±2°		cat. no.	Product - Customer Drw			sheet 5 of 6			

1

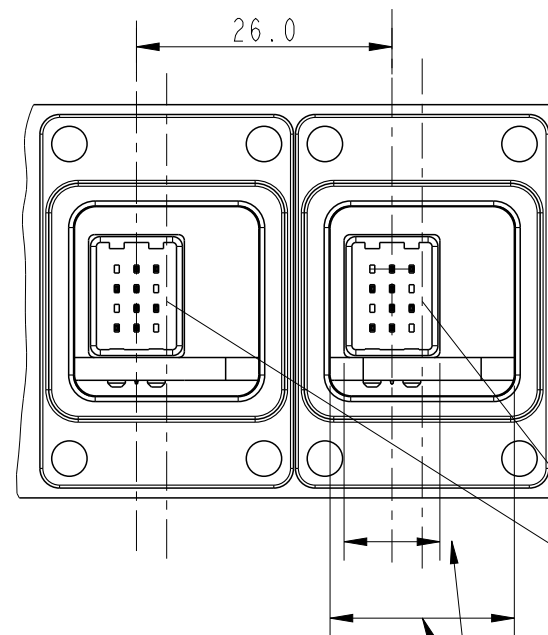
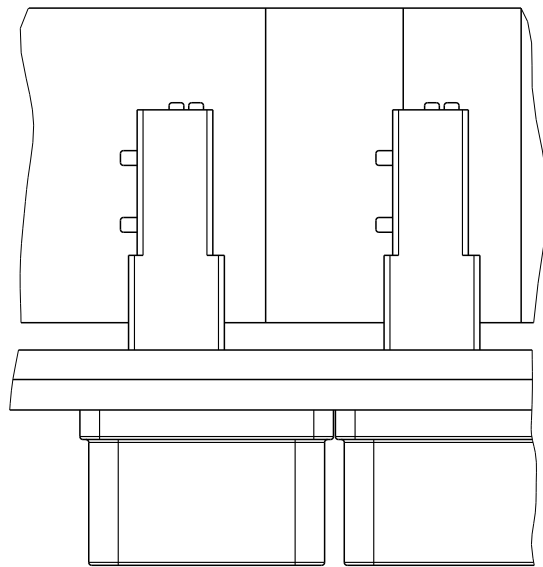
2

3

4

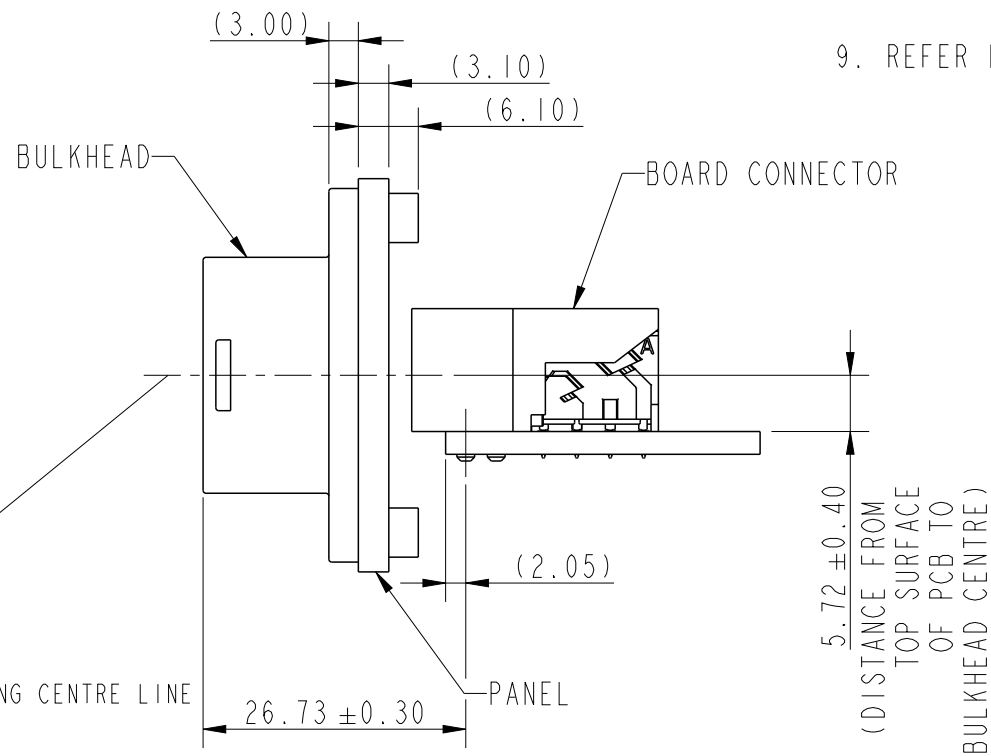
NOTES:

- 1. MATERIAL :
 - RESIN - LCP, GLASS FILLED, FLAME RETARDANT ACC
 - FLAMMABILITY CLASSIFICATION - UL94-V0
 - SIGNAL CONTACTS - COPPER ALLOY
- 2. PLATING :
 - GOLD OVER PALLADIUM NICKEL ON CONTACT AREA OF SIGNALS
 - PURE TIN AT TERMINAL AREA OF SIGNALS
- 3. PRODUCT SPECIFICATION: GS-12-1429
- 4. PACKAGING - TAPE & REEL
- 5. UNDER PLATING FOR CONTACTS IS 1.27µm NICKEL.
- 6. PRODUCT WILL WITHSTAND EXPOSURE TO 260° FOR 60 SECONDS IN A CONVECTION, INFRA RED OR VAPOUR PHASE REFLOW OVEN
- 7. PRODUCT WHERE THE PARTNUMBER ENDS IN LF MEETS EUROPEAN DIRECTIVES AND OTHER COUNTRY REGULATIONS AS DESCRIBED IN GS-47-0004.
- 8. VIEWS SHOWN ON PAGE 1 & 6 ARE OF P/N 10140950-101LF
- 9. REFER DRAWING 10140956 FOR BULKHEAD DETAILS



±0.60
CENTERING OF THE BOARD CONNECTOR WITH BULKHEAD CAVITY

BOARD CONNECTOR WITH BULKHEAD



spec ref	-	dr	Jibin John	2017/09/26	projection	mm	size	A3	scale	2:1	
tolerance std	ISO 406 ISO 1101	eng	Stalin Alosius	2017/10/16			ecn no	-	rel level		Released
TOLERANCES UNLESS OTHERWISE SPECIFIED		chr	-	2017/10/16			product family	VERIO	rel level		Released
surface	linear	0.X	±0.3	Amphenol FCI	VERIO SIGNAL RA BOARD CONNECTOR WITH PIP TERMINATION		dwg no 10140950	rev A			
		0.XX	±0.10								
		0.XXX	±0.050								
ISO 1302	angular	0°	±2°	cat. no.	Product - Customer Drw			sheet 6 of 6			