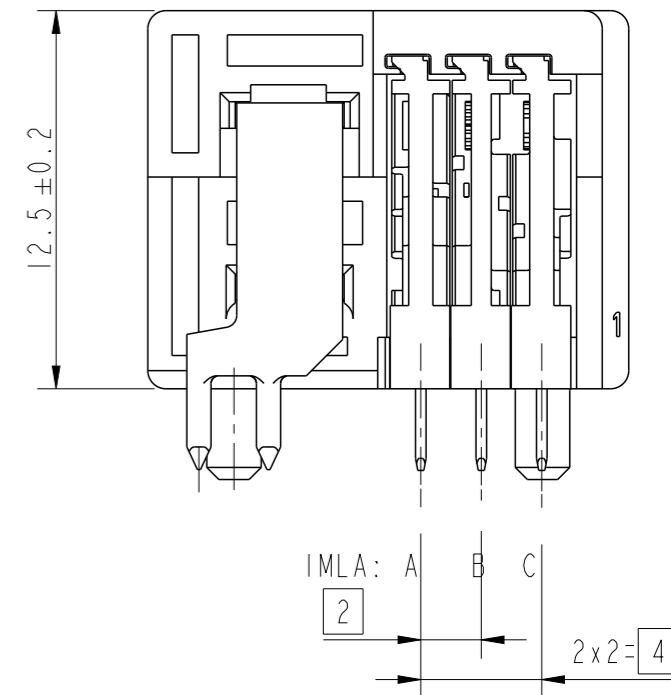
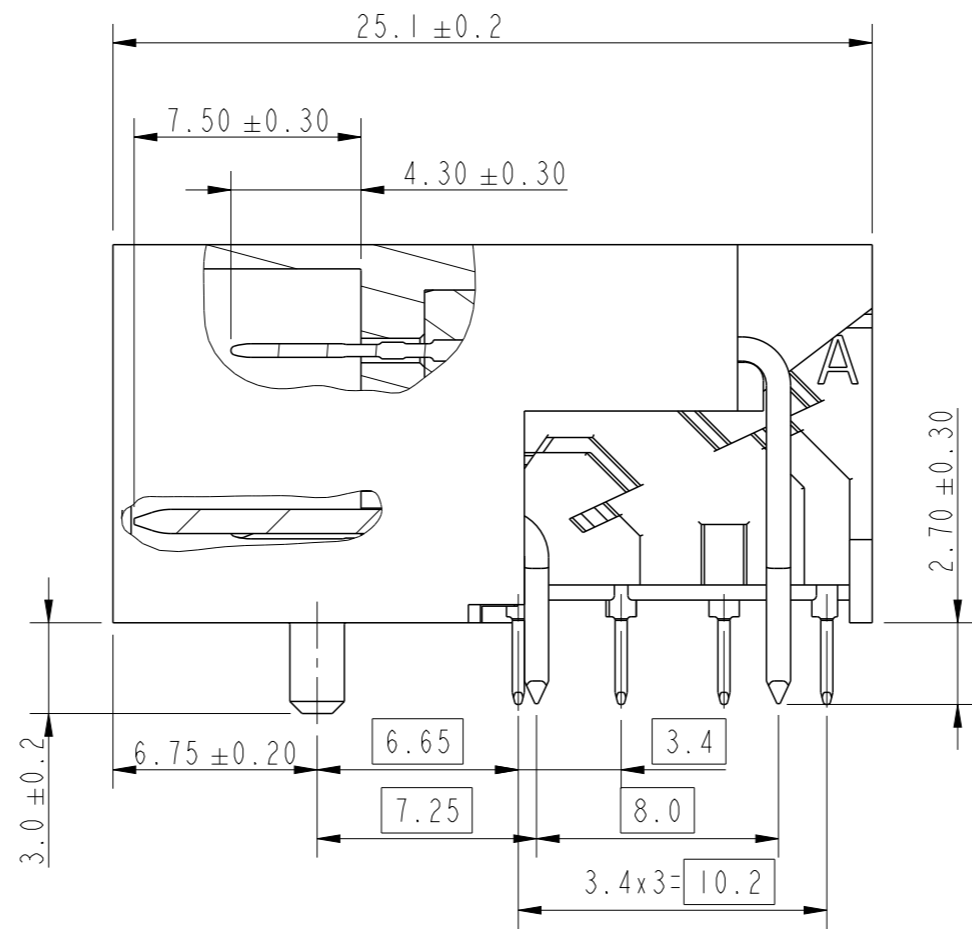
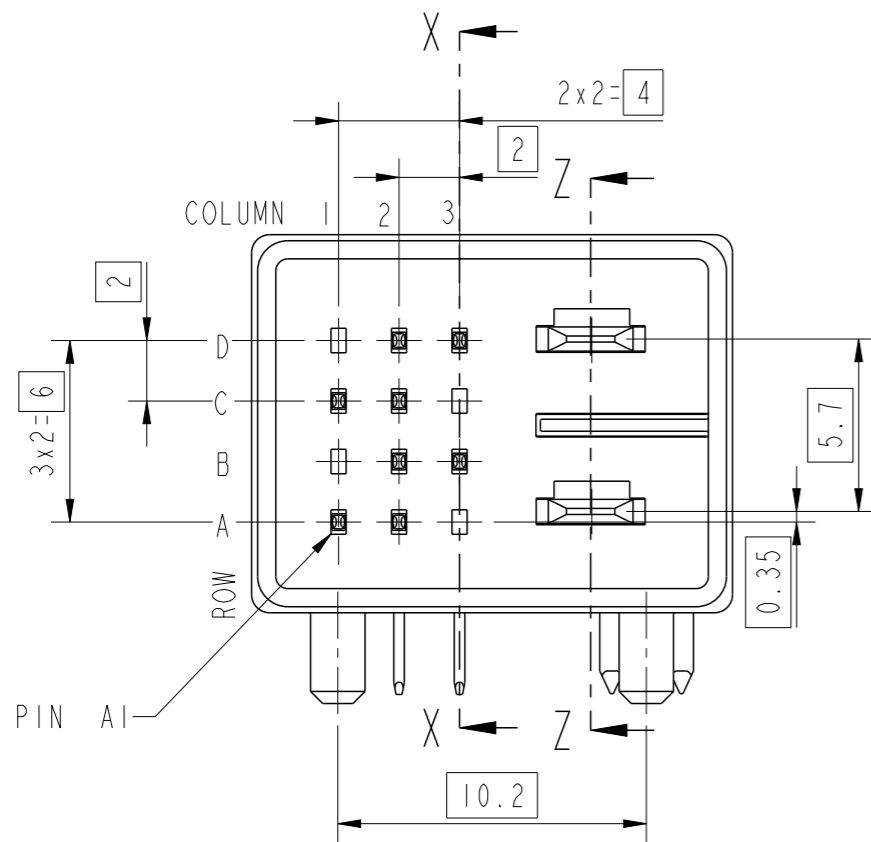
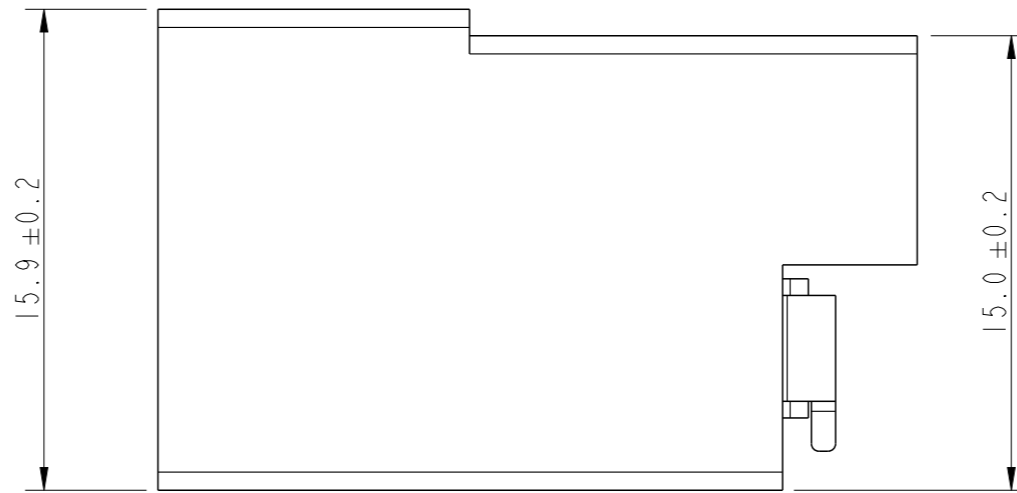


PRODUCT NUMBER
SEE TABLE



SECTION X-X
Z-Z
SCALE 4:1

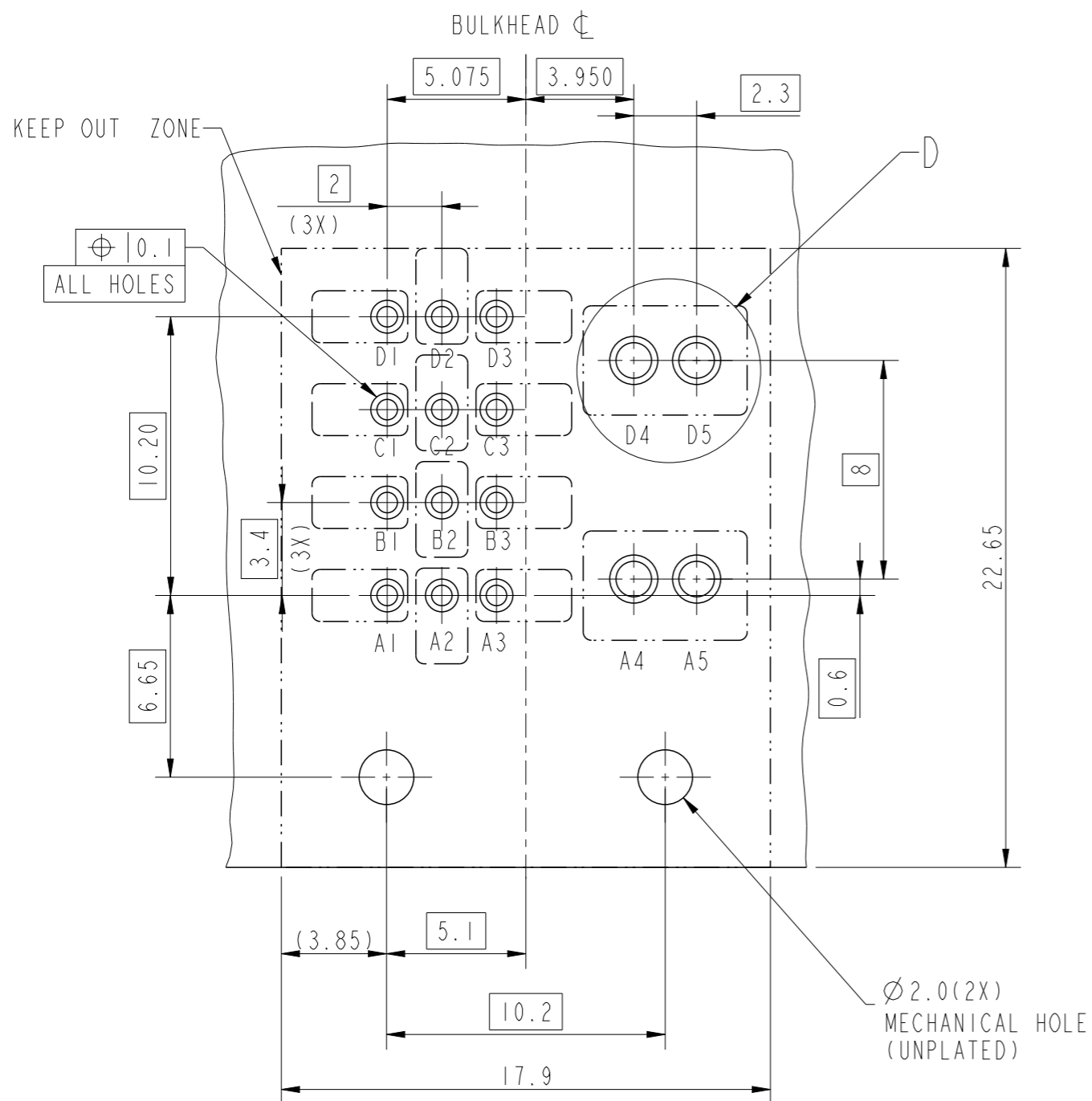
AFCI PART NO	ROW	COLUMN 1	COLUMN 2	COLUMN 3
10140949-101LF (VIEWS SHOWN IN THIS SHEET)	D	-	X	X
	C	X	X	-
	B	-	X	X
	A	X	X	-
10140949-102LF	D	X	X	X
	C	X	X	-
	B	X	X	X
10140949-103LF	D	X	X	X
	C	X	X	X
	A	X	X	X

spec ref	-	dr	Jibin John	2017/09/26	projection	mm	size	A3	scale	1:1
tolerance std	ISO 406 ISO 1101	eng	B T Varghese	2017/10/26			ecn no	ELX-I-28252-1	rel level	Released
TOLERANCES UNLESS OTHERWISE SPECIFIED		chr	-	apppr			K-Paul Biju	2017/10/26		product family
surface	linear	0.X	±0.3	Amphenol FCI		VERIO HYBRID (SIGNAL&POWER) RA BOARD CONNECTOR SIGNAL & PWR PIP TERMINATION		dwg no 10140949	rev C	
		0.XX	±0.10							
		0.XXX	±0.050							
ISO 1302	angular	0°	±2°	cat. no.	-	Product - Customer Drw		sheet 1 of 4		

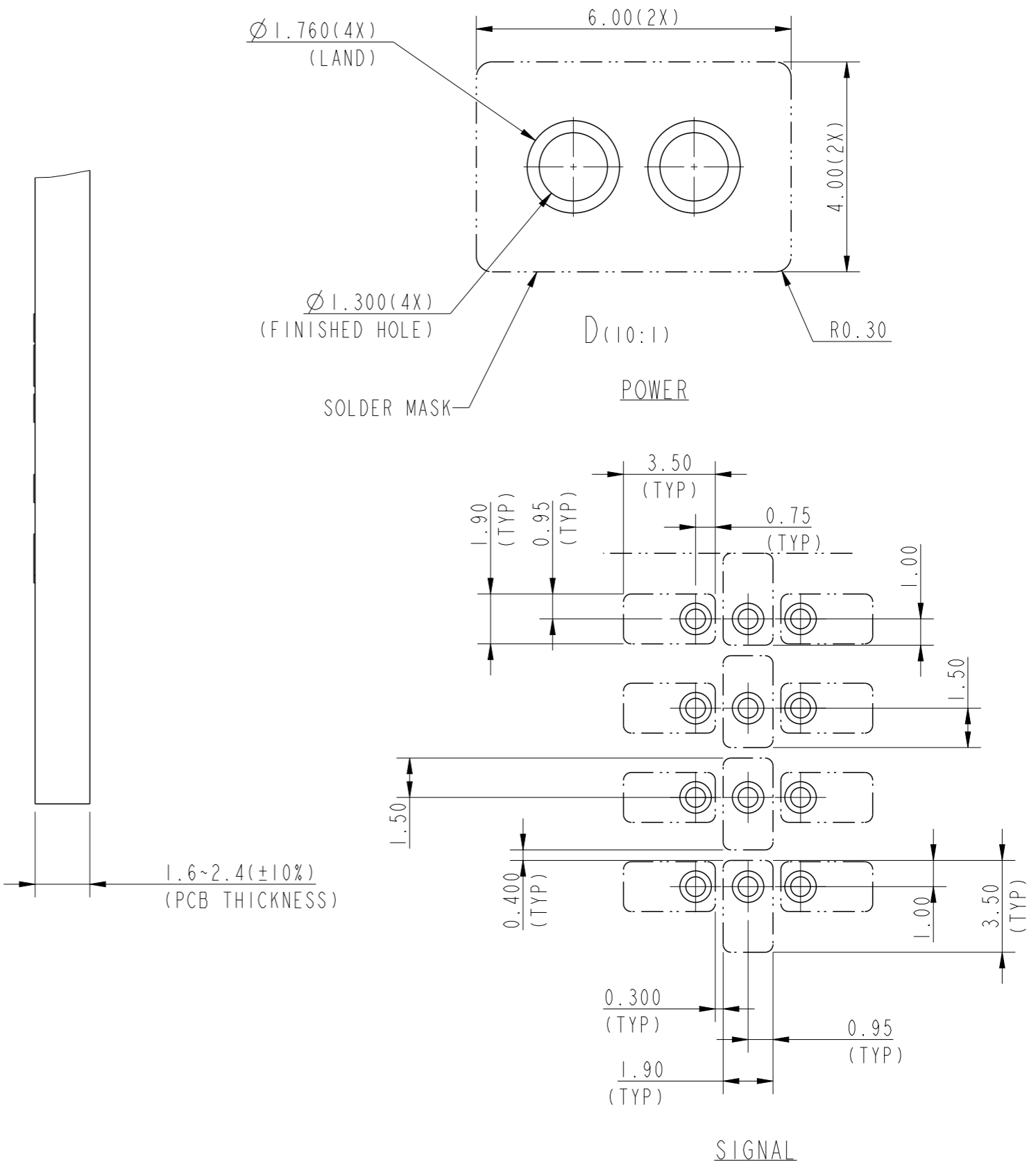
Amphenol
FCi

© 2016 AFCI

VIEW FROM COMPONENT SIDE



NOTE:
 ABOVE PCB IS FOR THE P/N 10140949-103LF
 FOR P/N 10140949-101LF, REMOVE HOLES A3,B1,C3 AND D1
 FOR P/N 10140949-102LF, REMOVE HOLES A3 AND C3



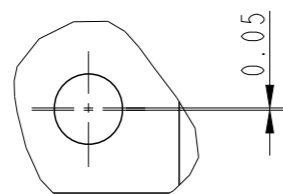
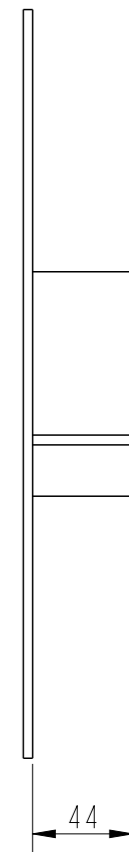
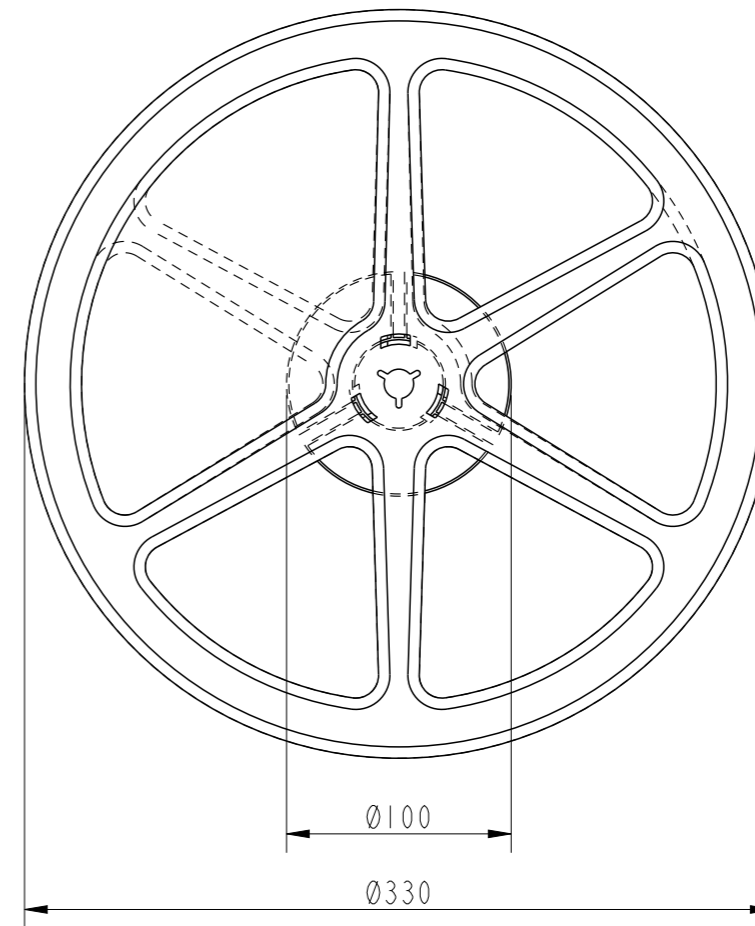
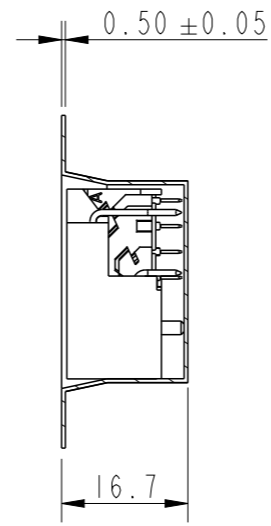
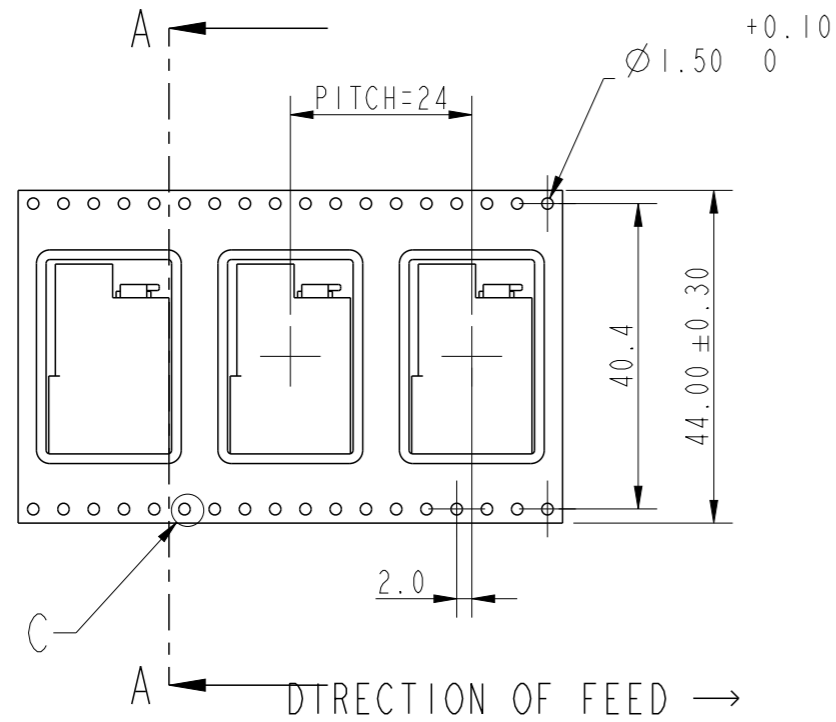
1.6~2.4(±10%)
(PCB THICKNESS)

Amphenol FCI
© 2016 AFCI

	SIGNAL PTH DETAILS	POWER PTH DETAILS
DRILLED HOLE	0.82-0.87mm	1.37-1.42mm
COPPER PLATING	25-50µm	25-50µm
TIN PLATING	0.8-1.2µm	0.8-1.2µm
FINISHED HOLE DIA	0.70-0.80mm	1.25-1.35mm

spec ref	-	dr	Jibin John	2017/09/26	projection	mm	size	A3	scale	2:1
tolerance std	ISO 406 ISO 1101	eng	B T Varghese	2017/10/26			ecn no	ELX-1-28252-1	rel level	Released
TOLERANCES UNLESS OTHERWISE SPECIFIED		chr	-	-			product family			
surface	linear	0.X	±0.3		VERIO HYBRID (SIGNAL&POWER) RA BOARD CONNECTOR		dwg no	10140949	rev	C
		0.XX	±0.10		SIGNAL & PWR PIP TERMINATION		cat. no.	Product - Customer Drw	sheet 2 of 4	
	angular	0°	±2°							

PACKAGING SPECIFICATION

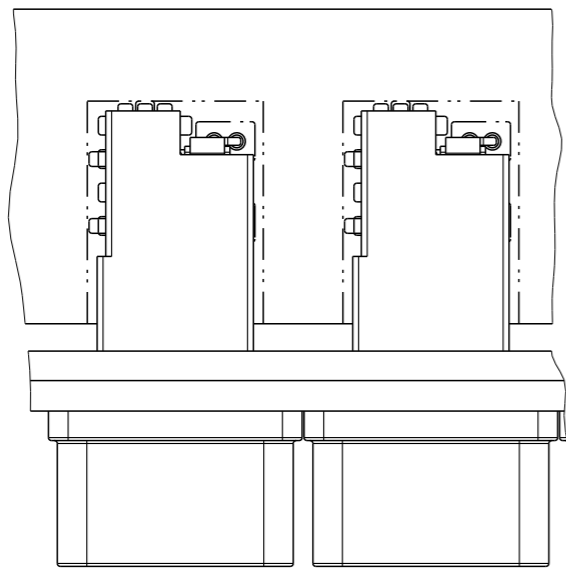


TAPE & REEL PACKING DETAILS

NOTES:

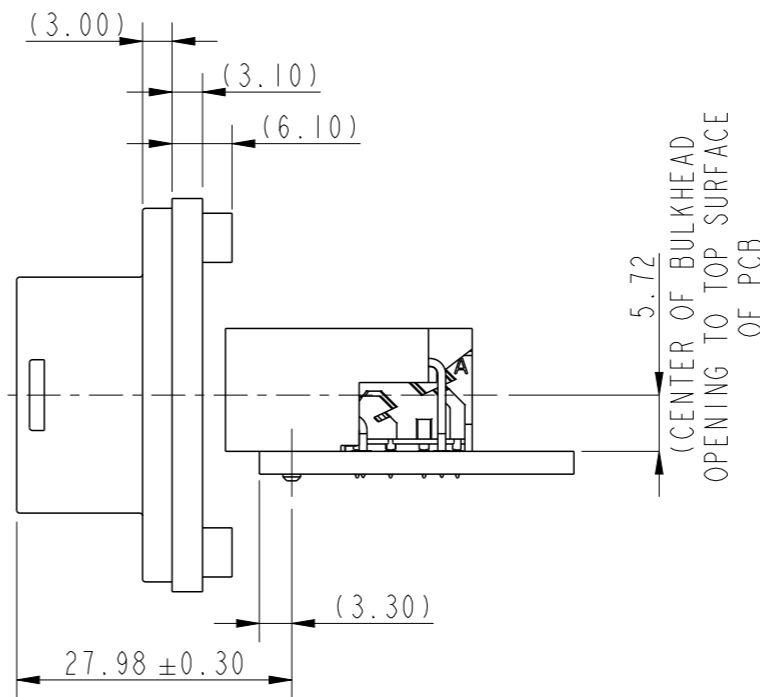
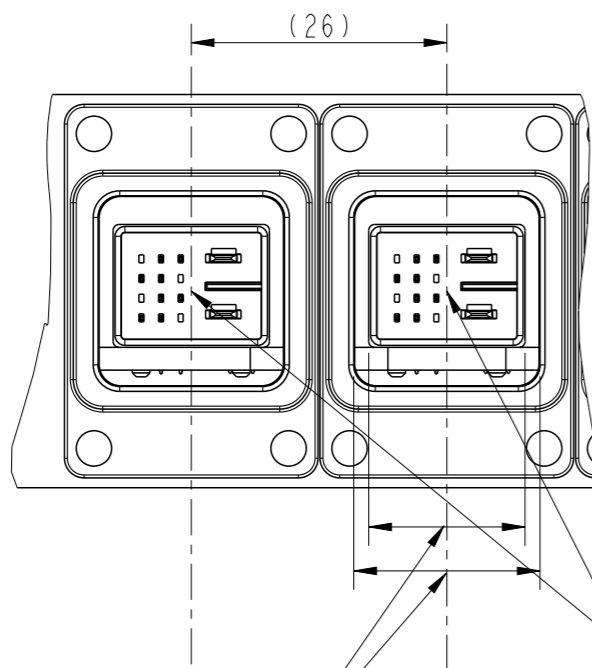
1. PACKAGING DETAILS AS PER EIA-481 STD.
2. MATERIAL : (ANTISTATIC)
CARRIER TAPE : POLYSTYRENE
COVER TAPE : POLYSTYRENE

spec ref	-	dr	Jibin John	2017/09/26	projection	mm	size	A3	scale	1:1	
tolerance std	ISO 406 ISO 1101	eng	B T Varghese	2017/10/26			ecn no	ELX-I-28252-1			
TOLERANCES UNLESS OTHERWISE SPECIFIED		chr	-	-			product family	-	rel level	Released	
surface	linear	0.X	±0.3	Amphenol FCI	VERIO HYBRID (SIGNAL&POWER) RA BOARD CONNECTOR		dwg no	10140949		rev	C
		0.XX	±0.10		SIGNAL & PWR PIP TERMINATION						
ISO 1302	angular	0°	±2°		cat. no.	-	Product - Customer Drw	sheet 3 of 4			



NOTES:

1. MATERIAL :
 - RESIN - LCP, GLASS FILLED, FLAME RETARDANT ACC
 - FLAMMABILITY CLASSIFICATION - UL94-V0
 - SIGNAL & POWER CONTACTS - COPPER ALLOY
2. PLATING :
 - GOLD OVER PALLADIUM NICKEL ON CONTACT AREA OF SIGNALS
 - PURE TIN ON TERMINAL AREA OF SIGNALS
 - PURE TIN ON POWER CONTACTS
3. PRODUCT SPECIFICATION (CONNECTOR): GS-12-1427
4. APPLICATION SPECIFICATION: GS-20-0523
5. PACKAGING - TAPE & REEL
6. UNDER PLATING FOR CONTACTS IS 1.27µm NICKEL.
7. PRODUCT WILL WITHSTAND EXPOSURE TO 260° FOR 60 SECONDS IN A CONVECTION, INFRA RED OR VAPOUR PHASE REFLOW OVEN
8. PRODUCT WHERE THE PARTNUMBER ENDS IN LF MEETS EUROPEAN DIRECTIVES AND OTHER COUNTRY REGULATIONS AS DESCRIBED IN GS-47-0004.
9. REFER DRAWING 10140965 FOR BULKHEAD DETAILS



BULKHEAD OPENING CENTRE LINE

± 0.60
CENTERING OF THE BOARD
CONNECTOR WITH BULKHEAD
CAVITY

spec ref	-	dr	Jibin John	2017/09/26	projection	mm	size	A3	scale	1:2
tolerance std	ISO 406 ISO 1101	eng	B T Varghese	2017/10/26			ecn no	ELX-I-28252-1		
TOLERANCES UNLESS OTHERWISE SPECIFIED		chr	-	appr			K-Paul Biju	2017/10/26	product family	-
surface	linear	0.X	±0.3	Amphenol FCI	VERIO HYBRID (SIGNAL&POWER) RA BOARD CONNECTOR		title SIGNAL & PWR PIP TERMINATION	dwg no 10140949	rev	
		0.XX	±0.10		cat. no.				-	Product - Customer Drw
	angular	0°	±2°		-		-		-	