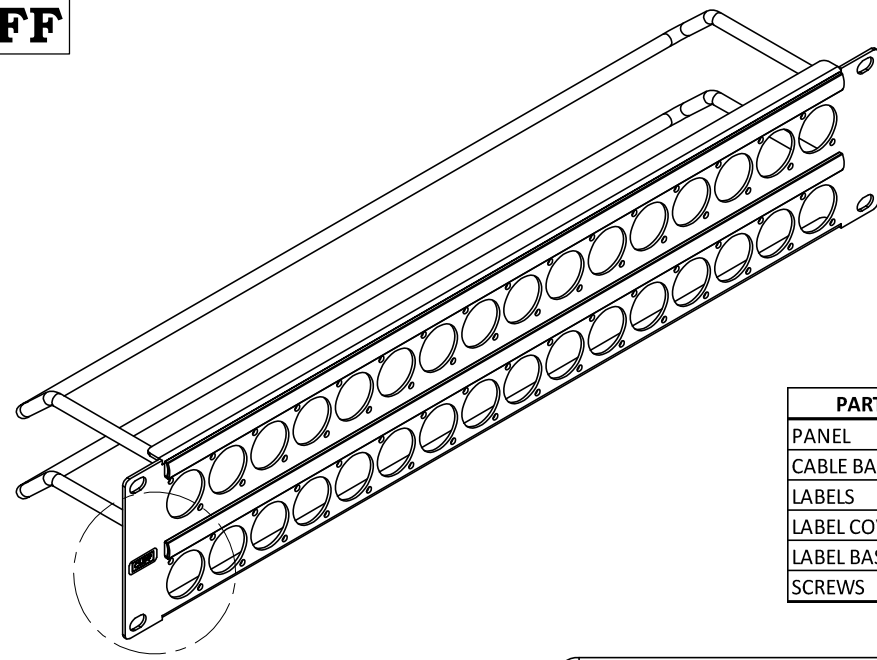


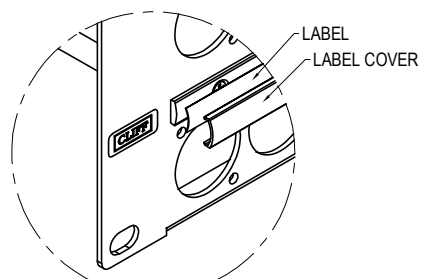
ISS.	AMEND	DATE
1	ISSUED	29/07/20



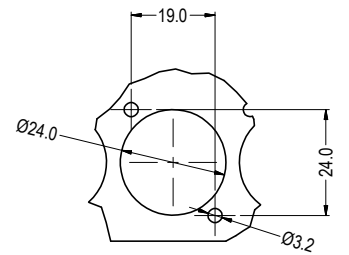
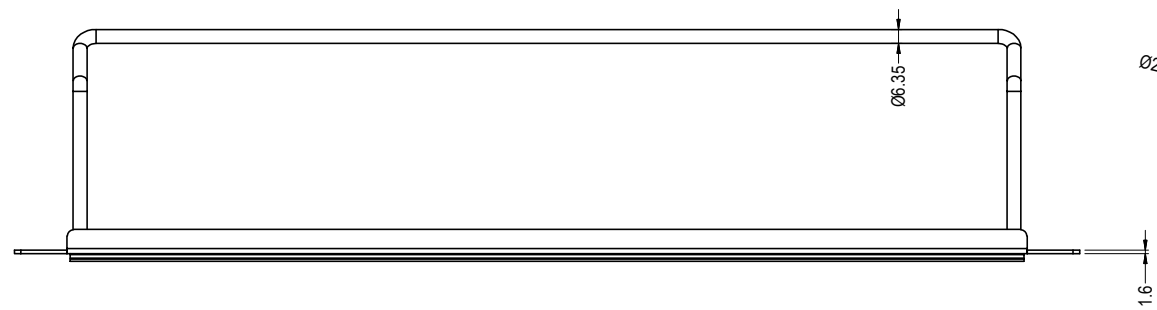
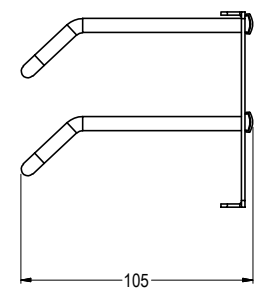
**NOTES:-**

- SUPPLIED FULLY ASSEMBLED
- PANEL TO RACK SCREWS NOT INCLUDED

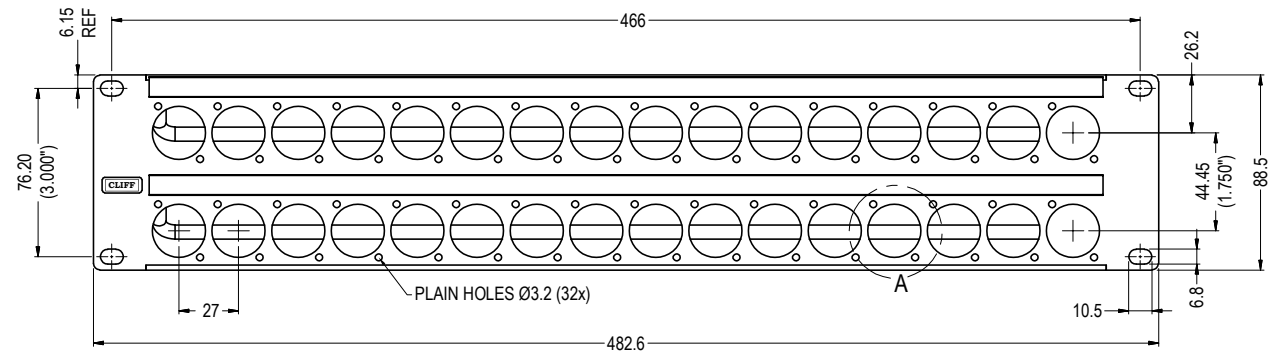
PART	MATERIAL
PANEL	STEEL, BLACK POWDER COATED
CABLE BARS	STAINLESS STEEL
LABELS	PAPER, WHITE
LABEL COVERS	THERMOPLASTIC, CLEAR
LABEL BASES	THERMOPLASTIC, CLEAR
SCREWS	STEEL, BLACK



VIEW SHOWING LABEL & LABEL COVER REMOVED



DETAIL VIEW A (32x POSITIONS)



**RoHS**  
COMPLIANT

**TOLERANCE**  
 NO DEC. PLACE ±  
 1 DEC. PLACE ±  
 2 DEC. PLACE ±  
 HOLE Ø ±  
 ANGLES ±  
 UNLESS OTHERWISE STATED

**Cliff Electronic Components Ltd.**

76 Holmetherpe Avenue, Holmetherpe Industrial Estate,  
 Redhill, Surrey, RH1 2PF, England, UK  
 Tel: 01737-771375 Fax: 01737-766012 Website: www.cliffuk.co.uk

DIMENSIONS IN MILLIMETERS UNLESS OTHERWISE STATED. WORK TO DIMENSIONS. REMOVE ALL BURRS. IF IN DOUBT ASK.

3rd ANGLE PROJECTION:

DO NOT SCALE

MATERIAL: SEE TABLE

TITLE: 2U x 32 PANEL ASSEMBLY Ø3.2 PLAIN HOLES

FINISH: SEE TABLE

DRWG. No. CP30155

THE CONTENTS OF THIS DOCUMENT MUST NOT BE COPIED OR DISCLOSED TO A 3rd PARTY WITHOUT WRITTEN PERMISSION OF CLIFF UK. © 2020

DRAWN: TJO

APPROVED: DPJ

FORM: A4DRWGH