

PRODUCT NUMBER  
57102-XXX-XXXXLX

PLATING  
S = 0.38µm GOLD/GXT ON CONTACT AREA  
2µm MIN MATTE TIN ON TAIL  
G = 0.76µm GOLD/GXT ON CONTACT AREA  
2µm MIN MATTE TIN ON TAIL  
F = GOLD FLASH ON CONTACT AREA  
2µm MIN MATTE TIN ON TAIL

RoHS COMPATIBLE SEE NOTE 7  
POLARIZATION, SEE NOTE 6  
PACKAGING, SEE NOTE 5  
NB OF POSITIONS PER ROW: 02 TO 25 POS

PIN STYLE	POST LENGTH	TAIL LENGTH	OAL
02	2.00	2.50	6.00
04	2.00	3.00	6.50
06	4.00	2.50	8.00
08	4.00	3.00	8.50
09	4.80	2.50	8.80
10	6.00	3.00	10.50
12	5.71	4.37	11.58
13	8.00	2.08	11.58
14	8.07	2.52	12.09
15	6.75	1.80	10.05

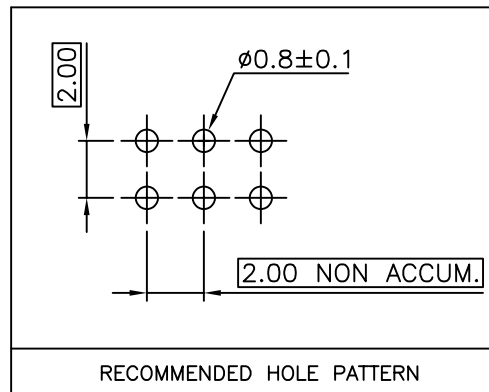
1.27µm MIN NICKEL UNDERPLATING

NOTES:

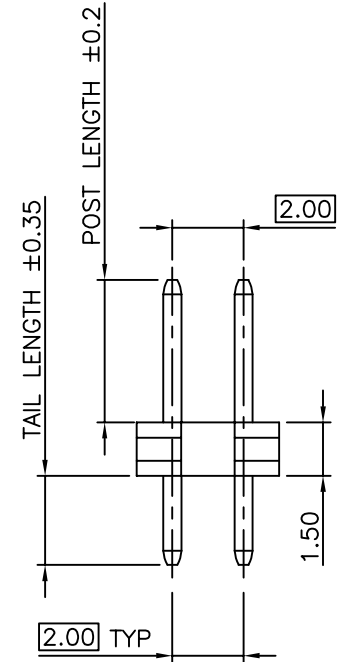
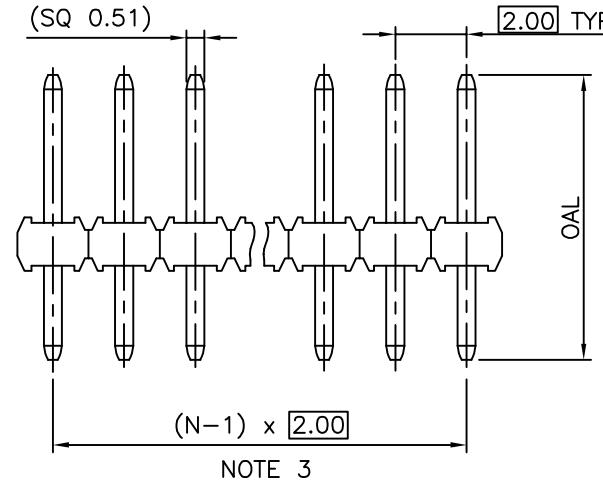
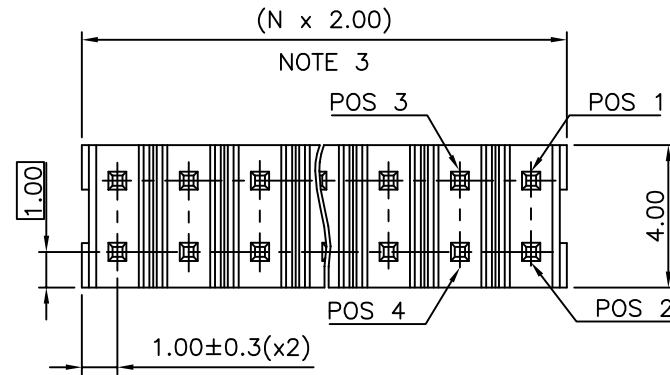
- MATERIAL HOUSING: HIGH TEMP. THERMOPLASTIC UL 94V-0, COLOR BLACK
- MATERIAL TERMINAL: COPPER ALLOY
- TO DETERMINE DIMENSIONS:  
N = NUMBER OF POSITIONS PER ROW
- 7N MIN. PIN RETENTION IN EITHER DIRECTION.
- PACKAGING:  
= STANDARD PACKAGING IN POLYBAGS  
- = PACKAGING POLYBAGS WHEN POLARIZATION FEATURE APPLICABLE  
U = TUBE AVAILABLE FROM 03 TO 25 POS PER ROW
- FOR POLARIZATION, SPECIFIED PIN  
EXAMPLE : 03 = OMIT PIN POSITION 3, SEE TOP VIEW  
OMIT FROM PRODUCT NUMBER IF THIS FEATURE IS NOT APPLICABLE

7. RoHS COMPATIBLE PRODUCT SPECIFICATIONS

- PLATING:  
- "LF" MEANS THE PRODUCT IS LEAD-FREE,  
2µm MINIMUM MATTE TIN OVER 1.27µm  
MINIMUM NICKEL UNDERPLATE.
- MANUFACTURING PROCESS COMPATIBILITY  
- THE HOUSING WILL WITHSTAND EXPOSURE TO  
260°C ±5°C SOLDER BATH TEMPERATURE FOR  
5 SECONDS IN A WAVE SOLDER APPLICATION  
WITH A 1.6mm MIN THICK CIRCUIT BOARD.  
- COMPATIBLE TO REFLOW PROCESS 260°C MAX  
FOR 30 SECONDES
- LABELLING:  
- MEETS PACKAGING SPECS AS PER GS-14-920
- LEGAL STATEMENT : SEE GS-47-0004



TOP VIEW



mat'l. code		surface	tolerance	projection	product family
Ltr		ISO 1302	ISO 406 ISO 101	ISO 101	MINITEK
ecn no		tolerances unless otherwise specified			title
dr		.X ±0.3			UNSH HEADER
date		.XX ±0.13			2.00 mm VERTICAL TMT
LMU 12.05.25		.XXX ±0.05			scale 1:1
LMU 14.10.24		linear			FCI
AMA 14.12.16		dr			sheet 1 of 1
LMU 15.01.13		L.MULIN 04.05.06			size
DDE 22.12.21		engr J.COMPAGNON 04.11.25			A3
DDE 22.12.21		chr			dwg no
DDE 22.12.21		appd JM.C 04.11.25			57102
sheet index		revision sheet			type
sheet		revision			CUSTOMER Drawing