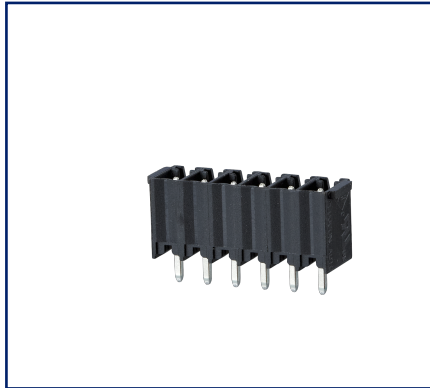
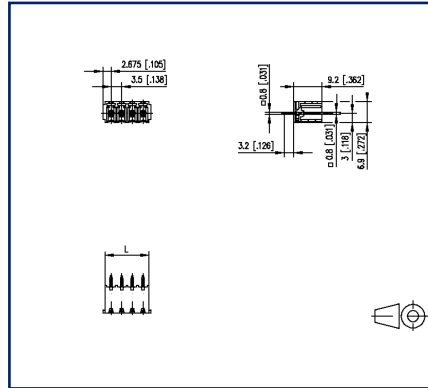


**Data sheet**  
**PR043xxVBBN Type 189**

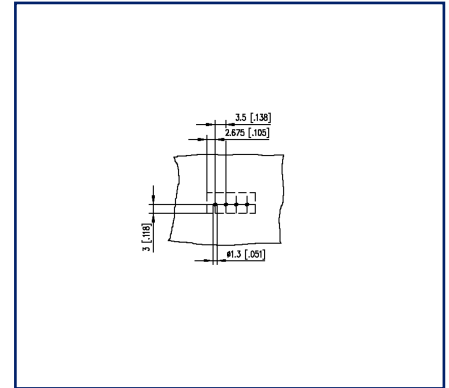
**Illustrations**



Dimensional drawing



Drill pattern



See enlarged drawings at the end of document

**Product specification**



- pin header, THR solderable
- centerline 3.50 mm, direction of connection vertical 0°
- closed ends
- color black
- Tape & Reel packaging possible
- codeable

## Technical Data

### General Data

Solder pin length	3.2 mm		
min. number of poles	2		
max. number of poles	16		
Insulating material class	CTI 600		
clearance/creepage dist.	2.7 mm		
Protection category	IP00		
Rated current	10 A		
Overvoltage category	III	III	II
Pollution degree	3	2	2
Rated voltage	200 V	500 V	500 V
Rated test voltage	2.5 kV	2.5 kV	2.5 kV

### Approvals

 V / A	300 / 10
approval UL - File No.	E121004
 1.5 mm <sup>2</sup>	130 V / 2.5 kV / 10 A / 0.8 x 0.8 mm

### Material

insulating material	PA66/6T
flammability class	V0
contact pin material	CuMg
contact pin surface	Ni + Sn
Glow-Wire Flammability GWFI	960 °C acc. to IEC 60695-2-12
Glow-Wire Flammability GWIT	775 °C acc. to IEC 60695-2-13

### Climatic Data

upper limit temperature	105 °C
lower limit temperature	-40 °C

### general

Tolerance	ISO 2768 -mH
Solderability	reflowable

# U | Contact

Data sheet  
**PR043xxVBBN Type 189**

Page 3/6

P/N  
**311891xx**  
**xx=number of poles**  
2023/06/26  
Version: Y

## Accessories

P/N	Designation
720293-01-2	Coding Star for pin header, centerline 3.81 mm

© 2023 METZ CONNECT - Technische Änderungen vorbehalten! Subject to modifications! Sous réserve de modifications techniques!

# U | Contact

Data sheet  
**PR043xxVBBN Type 189**

Page 4/6

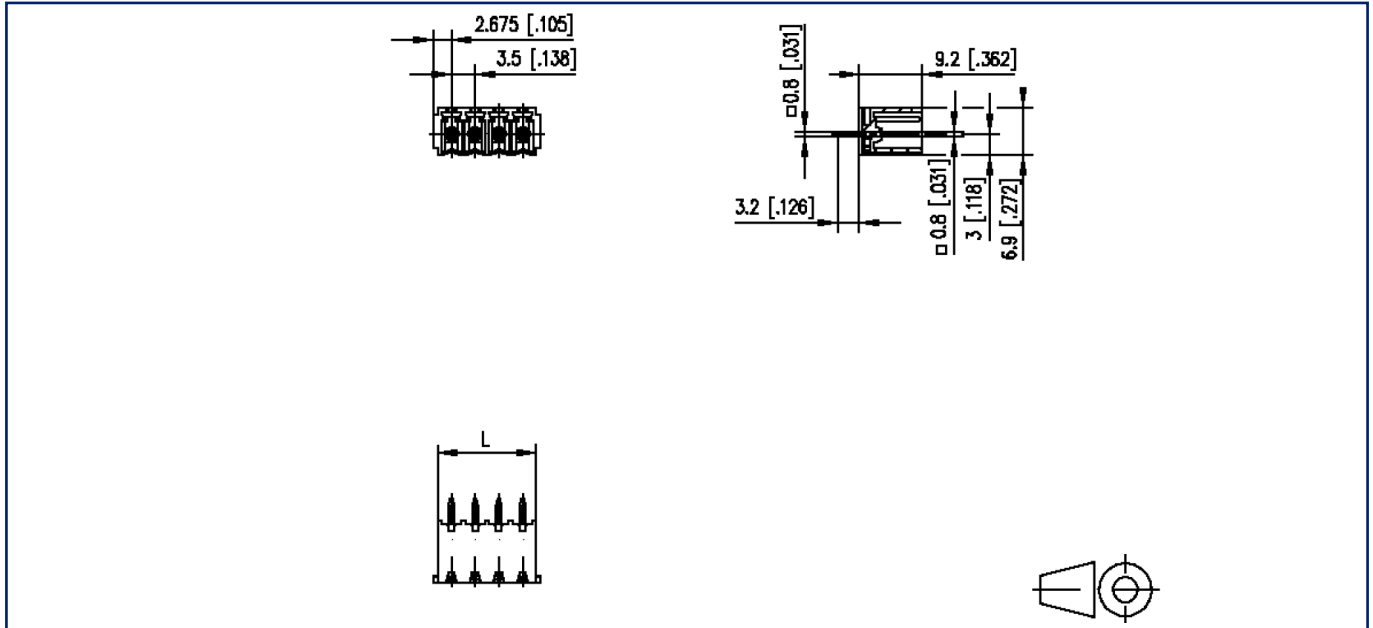
P/N  
**311891xx**  
xx=number of poles  
2023/06/26  
Version: Y

## Counterpart of

P/N	Designation
310891	FT143xxVBFC Type 089
313391	RP033xxVBLC Type 339
316131	RP043xxHBLD Typ 613
316141	RP043xxHBLC Typ 614
ASP043	SP043xxVBNN ASP043
ASP063	SP063xxVGNN ASP063

## Illustrations

Dimensional drawing



$L = (\text{pole size} - 1) \times \text{centerline} + 5.35 \text{ mm} [0.211]$

© 2023 METZ CONNECT - Technische Änderungen vorbehalten! Subject to modifications! Sous réserve de modifications techniques!

# U | Contact

Data sheet  
**PR043xxVBBN Type 189**

Page 6/6

P/N  
**311891xx**  
xx=number of poles  
2023/06/26  
Version: Y

## Illustrations

Drill pattern

