

4

3

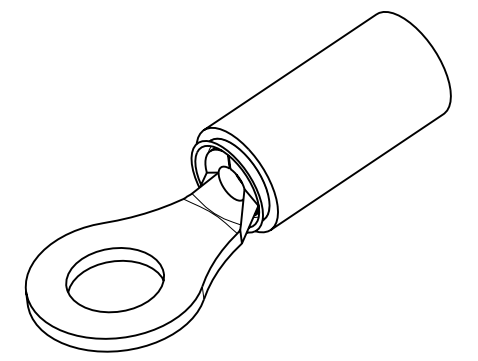
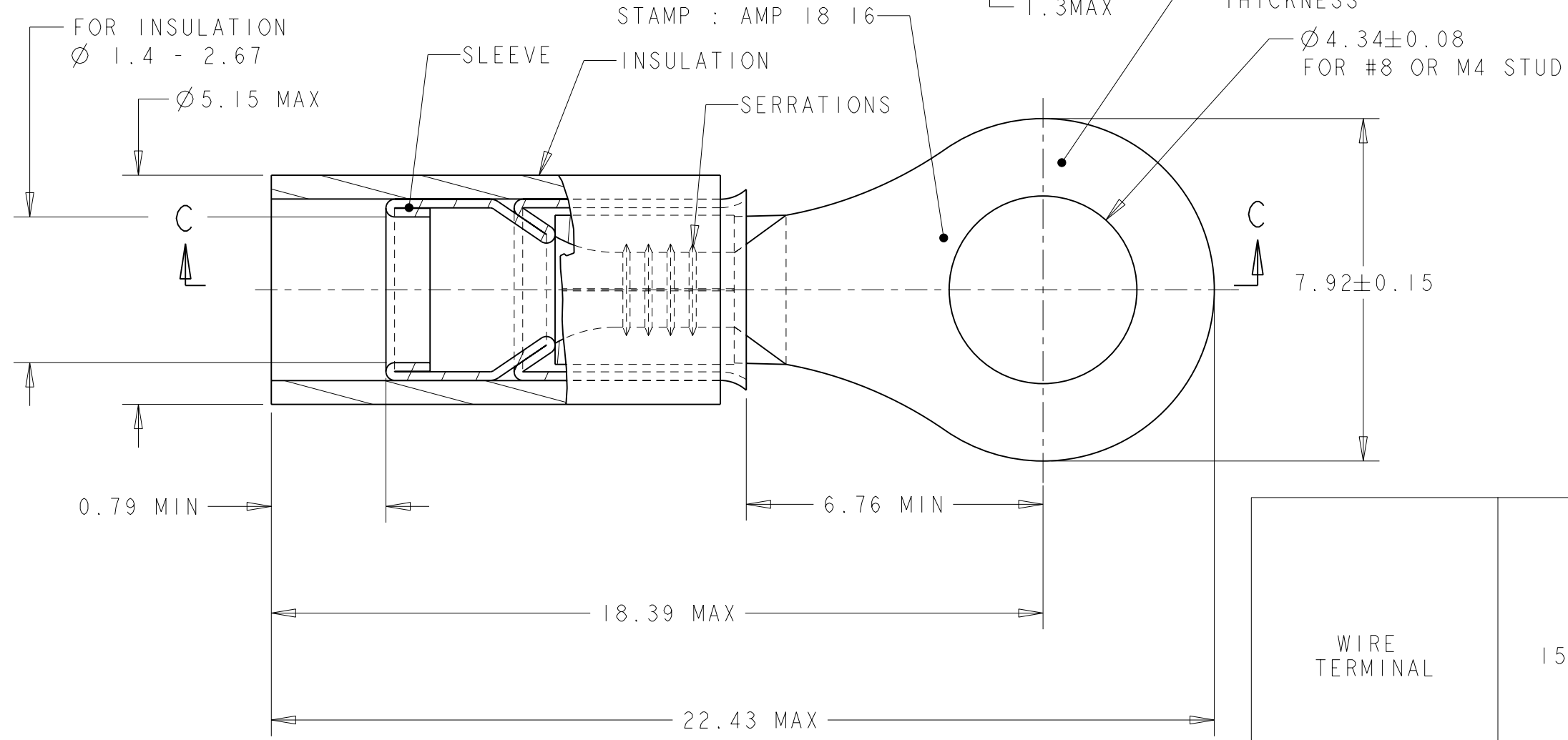
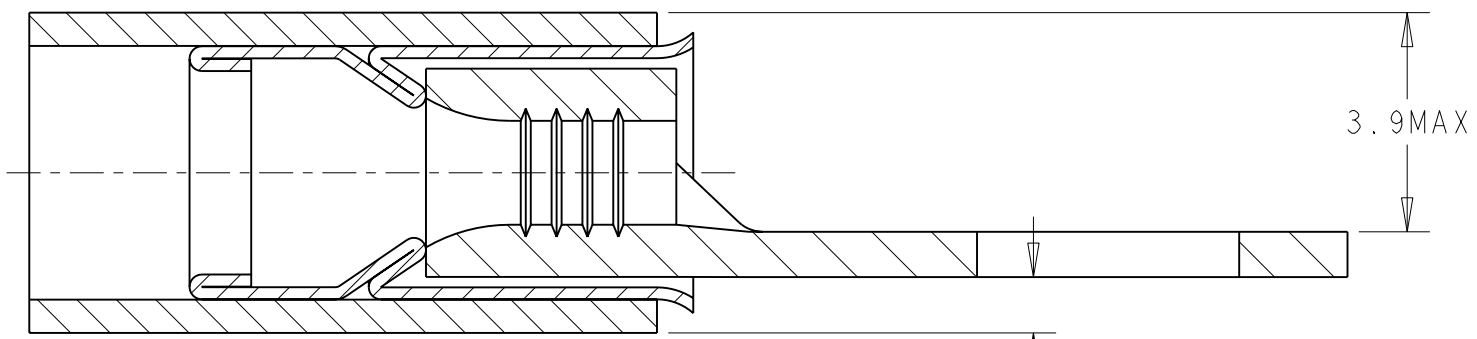
2

1

THIS DRAWING IS UNPUBLISHED. RELEASED FOR PUBLICATION 20
 © COPYRIGHT 20 BY TYCO ELECTRONICS CORPORATION. ALL RIGHTS RESERVED.

LOC	DIST	REVISIONS			
P	LTR	DESCRIPTION	DATE	DWN	APVD
F	00				
	B	6.76 MIN WAS 6.76 MAX	07FEB2007	GR	GR
	C	ECR 07-025006	26OCT2007	JT	GR

COUPE C-C



SCALE 3:1

WIRE TERMINAL	1577632-1	BODY : COPPER ANNEALED FINISH : NICKEL PLATED
		SLEEVE : COPPER ANNEALED FINISH : NICKEL PLATED
		INSULATION : PEEK COLOR : ORANGE
DESCRIPTION	PART NUMBER	MATERIAL & FINISH

THIS DRAWING IS A CONTROLLED DOCUMENT FOR TYCO ELECTRONICS CORPORATION IT IS SUBJECT TO CHANGE AND THE CONTROLLING ENGINEERING ORGANIZATION SHOULD BE CONTACTED FOR THE LATEST REVISION.		DWN JJ. DESPRETZ 22FEB2006 CHK G. ROBERT 22FEB2006 APVD Y. PETRONIN 22FEB2006		tyco Electronics Tyco Electronics France SAS 95300 Pontoise, France	
DIMENSIONS: mm 		TOLERANCES UNLESS OTHERWISE SPECIFIED: 0 PLC ±. 1 PLC ±0.3 2 PLC ±. 3 PLC ±. 4 PLC ±. ANGLES ±5 FINISH SEE TABLE		NAME: TERMINAL, PEEK PIDG STRATO, 18-16 AWG PRODUCT SPEC: 108-15356 APPLICATION SPEC: 114-15102 WEIGHT: 0,95 gr	
MATERIAL SEE TABLE		FINISH SEE TABLE		SIZE: A3 CAGE CODE: 00779 DRAWING NO: C-1577632	RESTRICTED TO: - SCALE: 8:1 SHEET: 1 OF 1 REV: C