

6400 Series

Tubeaxial

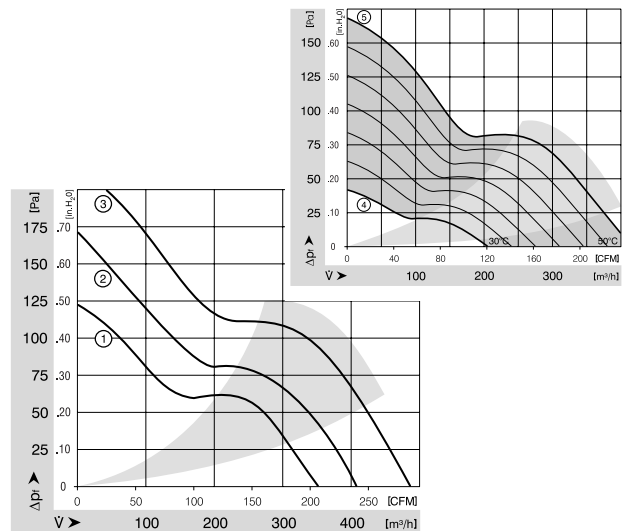
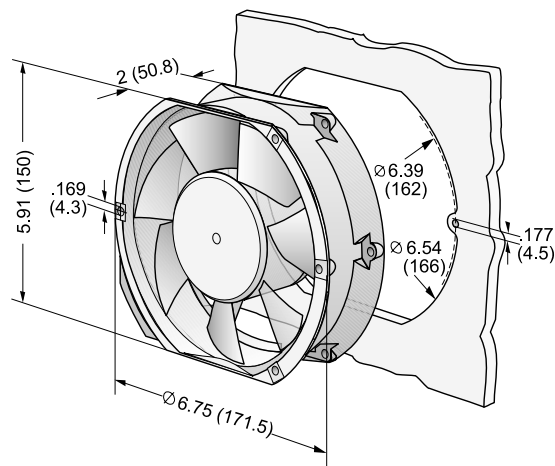
Ø 172x51mm



- DC fans with electronically commutated external rotor motor. Fully integrated commutation electronics. With electronic protection against reverse polarity and blocking; electronic motor current limitation in the start-up phase when rotor is blocked.
- Metal fan housing, impeller of fiberglass reinforced plastic PA.
- Air exhaust over struts. Rotational direction CCW looking at rotor.
- Electrical connection via 2 flat pins 3 x 0.5 mm. Housing with ground lug for screw M4 x 8 (TORX).
- UL, CSA, VDE approvals on some models, please contact application engineering.
- Mounting from either face using two 4.3 mm holes.

| Part Number | Curve | CFM @ 0 | VDC | Volt. Range | Power (W) | dBA | Max. Amb. Temp. C | Bearing Type | Features | Wgt. (lbs) | |
|-------------------|--------|---------|----------------|-------------|-----------|-------------|-------------------|--------------|-----------|--------------|------|
| 6412M | 1 | 206.0 | 12 | 8 to 15 | 12 | 52 | 72 | Ball | Terminals | 1.68 | |
| 6424M | 1 | 206.0 | 24 | 12 to 32 | 12 | 52 | 72 | Ball | Terminals | 1.68 | |
| 6424 | 2 | 241.3 | 24 | 12 to 28 | 18 | 57 | 72 | Ball | Terminals | 1.68 | |
| 6424H | 3 | 282.5 | 24 | 12 to 28 | 26 | 63 | 55 | Ball | Terminals | 1.68 | |
| 6448M | 1 | 206.0 | 48 | 28 to 60 | 11.5 | 52 | 72 | Ball | Terminals | 1.68 | |
| 6448 | 2 | 241.3 | 48 | 26 to 60 | 17 | 57 | 72 | Ball | Terminals | 1.68 | |
| 6448H | 3 | 282.5 | 48 | 28 to 60 | 26 | 63 | 55 | Ball | Terminals | 1.68 | |
| 30°C ▼ 50°C | 6424T* | 4 5 | 120.7 241.3 | 24 | 12 to 28 | 8.5 18.0 | 37 57 | 72 | Ball | NTC Resistor | 1.68 |
| 30°C ▼ 50°C | 6448T* | 4 5 | 120.7 241.3 | 48 | 28 to 60 | 8.5 17.0 | 37 57 | 72 | Ball | NTC Resistor | 1.68 |

* Variofan - DC fans with temperature-dependent speed control



ebmpapst

e-mail: sales@us.ebmpapst.com - TEL: 860-674-1515 - FAX: 860-674-8536

ebm-papst Inc., 100 Hyde Road, Farmington, CT 06034 USA

ebm-papst Inc., 2006 © ebm-papst Inc. reserves the right to change any specifications or data without notice